



(51) International Patent Classification:

A61B 5/107 (2006.01) A61B 5/027 (2006.01)
A61B 5/0215 (2006.01)

(21) International Application Number:

PCT/US2016/042152

(22) International Filing Date:

13 July 2016 (13.07.2016)

(25) Filing Language:

English

(26) Publication Language:

English

(30) Priority Data:

62/191,986 13 July 2015 (13.07.2015) US
62/191,956 13 July 2015 (13.07.2015) US

(71) Applicant: AVINGER, INC. [US/US]; 400 Chesapeake Drive, Redwood City, CA 94063 (US).

(72) Inventors: PATEL, Himanshu, N.; 400 Chesapeake Drive, Redwood City, CA 94063 (US). KANKARIA, Manish; 400 Chesapeake Drive, Redwood City, CA 94063 (US). CHAN, Kin, F.; 400 Chesapeake Drive, Redwood City, CA 94063 (US).

(74) Agents: KELLEHER, Kathleen, R. et al.; Shay Glenn LLP, 2755 Campus Drive, Suite 210, San Mateo, CA 94403 (US).

(81) Designated States (unless otherwise indicated, for every kind of national protection available):

AE, AG, AL, AM, AO, AT, AU, AZ, BA, BB, BG, BH, BN, BR, BW, BY, BZ, CA, CH, CL, CN, CO, CR, CU, CZ, DE, DK, DM, DO, DZ, EC, EE, EG, ES, FI, GB, GD, GE, GH, GM, GT, HN, HR, HU, ID, IL, IN, IR, IS, JP, KE, KG, KN, KP, KR, KZ, LA, LC, LK, LR, LS, LU, LY, MA, MD, ME, MG, MK, MN, MW, MX, MY, MZ, NA, NG, NI, NO, NZ, OM, PA, PE, PG, PH, PL, PT, QA, RO, RS, RU, RW, SA, SC, SD, SE, SG, SK, SL, SM, ST, SV, SY, TH, TJ, TM, TN, TR, TT, TZ, UA, UG, US, UZ, VC, VN, ZA, ZM, ZW.

(84) Designated States (unless otherwise indicated, for every kind of regional protection available):

ARIPO (BW, GH, GM, KE, LR, LS, MW, MZ, NA, RW, SD, SL, ST, SZ, TZ, UG, ZM, ZW), Eurasian (AM, AZ, BY, KG, KZ, RU, TJ, TM), European (AL, AT, BE, BG, CH, CY, CZ, DE, DK, EE, ES, FI, FR, GB, GR, HR, HU, IE, IS, IT, LT, LU, LV, MC, MK, MT, NL, NO, PL, PT, RO, RS, SE, SI, SK, SM, TR), OAPI (BF, BJ, CF, CG, CI, CM, GA, GN, GQ, GW, KM, ML, MR, NE, SN, TD, TG).

Published:

— with international search report (Art. 21(3))

(54) Title: MICRO-MOLDED ANAMORPHIC REFLECTOR LENS FOR IMAGE GUIDED THERAPEUTIC/DIAGNOSTIC CATHETERS

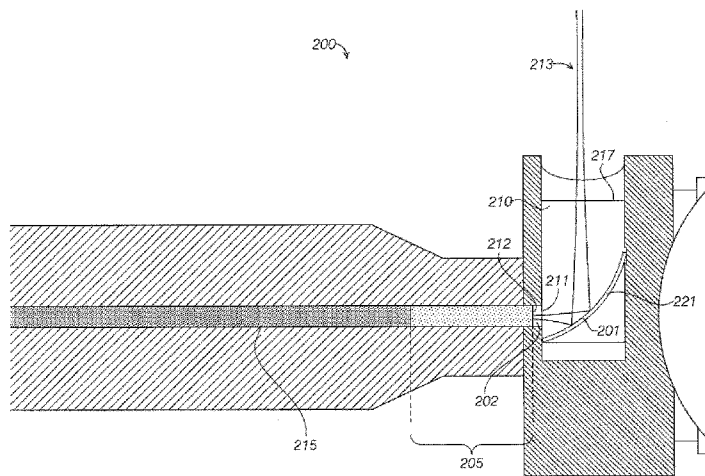


FIG. 2

(57) Abstract: A catheter system for optical coherence tomography includes an elongate catheter body, an optical fiber in the elongate catheter body, and an anamorphic lens assembly coupled with a distal end of the optical fiber. The optical fiber and the lens assembly are together configured to provide a common path for optical radiation reflected from a target and from a reference interface between the distal end of the optical fiber and the lens assembly.

WO 2017/011587 A1

**MICRO-MOLDED ANAMORPHIC REFLECTOR LENS FOR IMAGE GUIDED
THERAPEUTIC/DIAGNOSTIC CATHETERS**

CROSS REFERENCE TO RELATED APPLICATIONS

5 [0001] This application claims priority to U.S. Provisional Patent Application No. 62/191,956, filed July 13, 2015, titled "MICRO-MOLDED ANAMORPHIC REFLECTOR LENS FOR IMAGE GUIDED THERAPEUTIC/DIAGNOSTIC CATHETERS," and U.S. Provisional Patent Application No. 62/191,986, filed July 13, 2015 and titled "CARBON DIOXIDE CARTRIDGE FOR BALLOON CATHETER," each of which is incorporated by
10 reference in its entirety.

[0002] This application may be related to U.S. Patent Application No. 14/400,140, filed on 11/10/2014 (titled "OPTICAL COHERENCE TOMOGRAPHY WITH GRADED INDEX FIBER FOR BIOLOGICAL IMAGING"), which is incorporated by reference in its entirety.

INCORPORATION BY REFERENCE

15 [0003] All publications and patent applications mentioned in this specification are herein incorporated by reference in their entirety to the same extent as if each individual publication or patent application was specifically and individually indicated to be incorporated by reference.

FIELD

20 [0004] Described herein are imaging devices and systems for use in biological probes. In particular, described herein are catheter-based imaging systems using Optical Coherence Tomography (OCT) having a molded lens adapted to minimize parasitic back-reflections and provide superior distance imaging and beam diameter characteristics.

BACKGROUND

25 [0005] A number of vascular diseases, such as coronary artery disease and peripheral vascular disease, are caused by the build-up of atherosclerotic deposits (plaque) in the arteries, which limit blood flow to the tissues that are supplied by that particular artery. Disorders caused
30 by occluded body vessels, including coronary artery disease (CAD) and peripheral artery disease (PAD), may be debilitating and life-threatening. Chronic Total Occlusion (CTO) can result in limb gangrene, requiring amputation, and may lead to other complications and eventually death. Increasingly, treatment of such blockages may include interventional procedures in which a guidewire is inserted through a catheter into the diseased artery and threaded to the blocked
35 region. There the blockage may be either expanded into a more open position, for example, by

pressure from an inflated catheter balloon (e.g., balloon angioplasty) and/or the blocked region may be held open by a stent. Treatment of such blockages can also include using a catheter to surgically remove the plaque from the inside of the artery (e.g., an atherectomy).

[0006] There is medical interest in equipping catheters with sensors that can help direct the catheter for atherectomy, occlusion-crossing, and/or other surgical procedures. For example, it would be useful to have sensors that can give the surgeon immediate visual feedback as to whether a particular tissue is diseased and/or how far away the cutting portion of a catheter is from the boundary of a particular blood vessel layer to minimize the risk of accidental damage. Conventional radiological imaging methods and ultrasound imaging systems have been attempted for such surgical procedures. However, neither ultrasound nor radiological imaging methods have enough resolution to help guide the operation of the catheter through small dimensions. Moreover, standard radiological techniques cannot easily discriminate between healthy tissue and diseased tissue unless the tissue has become heavily calcified. Further, the components of an ultrasound system are generally too large to implement on a small scale, such as with a system configured to be used within blood vessels.

[0007] Optical Coherence Tomography (OCT) has been proposed as one technique that may be particularly helpful for imaging regions of tissue, including within a body lumen such as a blood vessel. At a basic level, OCT relies on the fact that light traveling from a source and scattering from more distant objects takes longer to travel back than light scattering from nearby objects. Due to the wave nature of light, very small timing differences caused by light signals traveling different distances on the micron scale can cause constructive or destructive interference with reference light signals. OCT systems measure the resulting interference to obtain an image of the target. A typical OCT system requires one or more interferometers to distinguish the signal from the applied light. In addition, most known OCT systems, when applied to catheters, include a fiber that is rotated (often at high rates) within the catheter in order to scan the lumen and a second, large reference arm.

[0008] A typical OCT device includes a target arm and a reference arm to generate a reference signal. In order to provide the interference reference signal, the OCT device will split an illuminating light signal from the source in two equal or unequal parts, send part of the illuminating light to the target of interest through one target optical "target arm" and send the other part of the illuminating light down a separate reference arm. Light from the separate reference arm reflects off of a mirror, and then returns and interferes with the scattered light that is returning from the target optical arm after bouncing off of the target. In a traditional OCT device, the reference arm length is engineered to be exactly the same length as the target arm so that the interference effect is maximized. The resulting interference between the two beams

creates interference that can be measured to extract depth information related to the target.

Using this depth information, an image of the object can be generated. A typical OCT device can further include a focusing lens in the target arm, such as a graded index (GRIN) lens, configured to focus the light coming out of the optical fiber into the tissue.

5 [0009] These traditional OCT systems, however, are large and cumbersome due to the required reference arm and are therefore generally ineffective for use in a medical catheter, particularly for use with a low cost and disposable catheter. Using a common path OCT system, i.e., a system without a separate reference arm, is one way to eliminate the cost and size of such an imaging catheter. There are several challenges, however, associated with developing a
10 catheter having common path OCT. For example, a common path OCT system requires that the reference reflection be formed within the same optical conduit as the target reflection. This reference reflection must be finely tuned to avoid noise in the system, requiring that the path from the light source to the reflection interface be free of unnecessary components, such as focusing elements that could interfere with the reference reflection. Further, the common path
15 system must have components that are small enough to fit inside of a single small catheter, making it difficult to include additional components. Finally, for common path OCT, it is desirable to have the reference reflection as close to the tissue as possible to maintain the imaging range within the coherence length of the source and avoid data processing burden, as data processed for the distance between the reference and the start of the imaging is not useful.
20 Accordingly, a common path OCT system that solves some of these problems is desired.

[0010] The distal imaging tip of a common-path OCT catheter should perform two main functions: (1) direct the beam towards the imaging object and (2) focus the beam on the imaging object for improved image quality. In addition, for common path OCT, the geometry and properties of the distal imaging assembly should be such that it introduces only one primary
25 source of back-reflection (reference reflection) and avoid any other parasitic reflection which could causes artifacts in the images.

[0011] One way to address these needs that has been proposed (see, e.g., US-2015-0099984) which uses a common-path OCT system with a graded index (GRIN) fiber attached to the distal tip of a single mode optical fiber in the catheter so as to act as a lens for focusing light.
30 Unfortunately, this solution has proven problematic. For example, the addition of any lens (e.g., a graded index (GRIN) lens) is difficult and results in potential failure modes. FIG. 1 illustrates a prior-art device 100, such as a catheter, having housing 109 holding a graded index (GRIN) fiber 103 at the end of an optical fiber 110, forming a grins lens assembly. In this example, deflection and focusing of the beam is accomplished using two separate components. First, a
35 mirror 101 is mounted at 45 degrees to the axis of the optical fiber 110 to deflect the beam

perpendicular to axis of the catheter, as shown by beam 113. Second, the graded index fiber 103 is spliced to the optical fiber 110, which is a single mode fiber (SMF) assembly, in order to focus the beam. The GRIN fiber 103 is spliced in front of the SMF fiber 110 and then cleaved to precise length and angle to meet the focusing and reference reflection requirements in
5 conjunction with the epoxy 102 used to secure the GRIN fiber 103 at the distal tip. The precision splicing and cleaving requirements for this SMF-GRIN assembly makes it an expensive component for the device 100.

[0012] Further, the manufacturing processes required to make these SMF-GRIN assemblies, such as that in device 100, is often difficult and requires precision alignment. Moreover, in order
10 to splice the GRIN fiber 103 in front of the SMF fiber 110, the SMF fiber must be stripped to certain length (see stripped section 105 in FIG. 1). Stripping of the fiber SMF fiber, especially polyimide fibers, typically renders a long fragile portion 132 of fiber. The total length of the fragile portion 132 of the SMF-GRIN assembly may be greater than 2.5 mm. This fragile portion 132 often must be encapsulated inside a solid hypo tube, to prevent the distal portion from
15 breaking while subjected to stress/strain while imaging in tortuous anatomy. The presence of the long (e.g., > 2.5 mm) hypo tube in the device 100 reduces the flexibility of the distal tip. Thus, when the device 100 is part of a catheter, such as an atherectomy catheter, this reduced flexibility can make it difficult to access the tortuous section of the anatomy.

[0013] Moreover, focusing length may be sacrificed by using a GRIN fiber 103 and separate
20 mirror 101. The focusing capability of the GRIN fiber 103 is a function of the diameter of the fiber. Using 125 micron GRIN fiber 103, to match the diameter of the SMF 110, the focus point is limited to 1 – 1.5 mm from the tip of the fiber. In imaging catheters where the fiber is deployed in the middle of the catheter, significant portion of the Rayleigh range of the beam could be lying inside the catheter. This reduces the imaging depth within which the imaging
25 catheter is able to maintain high resolution.

[0014] Described herein are apparatuses, including tip assemblies for OCT (common path) imaging systems, and methods of making an using them, that may address the issues raised above.

SUMMARY OF THE DISCLOSURE

[0015] In general, described herein are OCT apparatuses (including devices and systems) that include a lens assembly that is, or is capable of being, positioned at distal tip of an optical fiber to provide common-path OCT imaging. The lens assembly is typically an anamorphic lens assembly.

[0016] In some embodiments, the anamorphic lens assembly has a lens body, and a first surface coupled to the optical fiber through which light from the optical fiber may pass into the lens body so that it can be reflected from a second, reflective, surface at an angle, to direct light out of the lens assembly and into a tissue (e.g., at a 45 degree angle). The second, reflective, surface may have a compound radius so that the beam profile of the light beam from the optical fiber is made approximately circular as it exits the lens assembly (e.g., out of a third, flat, surface that is perpendicular to the direction of the beam) reflected from the second surface).

[0017] In other embodiments, the anamorphic lens assembly has a concave proximal surface that is reflective and includes a compound surface to reflect light therefrom.

[0018] The lens assemblies described herein may be used as part of a catheter capable of OCT imaging. For example, a catheter for optical coherence tomography (OCT) may include: an elongate catheter body extending distally to proximally, an optical fiber in the elongate catheter body, and a lens assembly optically coupled with a distal end of the optical fiber, the lens assembly, wherein the optical fiber and the lens assembly are together configured to provide a common path for optical radiation reflected from a target and from a reference interface between the distal end of the optical fiber and the first surface.

[0019] As mentioned, the lens assembly may be an anamorphic lens assembly, refractive or reflective, e.g., having non-uniform or different magnifications or radii of curvatures along the two axes perpendicular to each other (e.g., the axis perpendicular to the path of light traveling through the lens body). In some variations, the anamorphic lens may refer specifically to the compound radii of curvature of the mirror portion. In other variations, the anamorphic lens may refer to a mirror having continuously changing or different radii of curvature between the two perpendicular axes.

[0020] In any of the variations described herein, the lens assembly (e.g., the first surface of the lens assembly) may be connected to the distal end of the optical fiber by a layer of epoxy.

[0021] In general, some embodiments, the first surface (the surface immediately opposite the distal end of the optical fiber) may be at an angle relative to the distal end (out of which the light passes) of between about 2 degrees and 40 degrees relative to the distal end of the optical fiber, e.g., the angle may be between about 5 degrees and 13 degrees, between about 2 degrees and 20 degrees, between 6 degrees and 10 degrees, about 8 degrees, etc.). Further, the second (reflective, or mirrored) surface is angled relative to the distal end of the optical fiber, so that light traveling to/from the distal end of the optical fiber, after passing the first surface of the lens body, is reflected by the second surface and directed laterally out of the lens. For example, the second surface may be at an angle of between about 10 degrees and about 60 degrees (e.g., 20

degrees and 50 degrees, 30 degrees and 50 degrees, 40 degrees and 50 degrees, about 45 degrees, etc.) relative to the distal end of the optical fiber.

[0022] In some embodiments, the reflective proximal surface can be angled relative to the distal end of the optical fiber, so that light traveling to/from the distal end of the optical fiber and impinging on the proximal surface is reflected and directed laterally out of the lens. For example, the proximal surface may be at an angle of between about 10 degrees and about 60 degrees (e.g., 20 degrees and 50 degrees, 30 degrees and 50 degrees, 40 degrees and 50 degrees, about 45 degrees, etc.) relative to the distal end of the optical fiber

[0023] The reflective second surface may be formed by coating (and/or attaching) a reflective material to the outer face of the second surface. The reflective material coating the second surface may be coated at a thickness that is configured to reflect more than 70% (e.g., more than 75%, more than 80%, more than 85%, more than 90%, more than 95%, etc.) of light. Any appropriate reflective material may be used. For example, the reflective material may comprise gold, silver, platinum, etc.

[0024] In general, the reflective surfaces may comprise a compound radius, e.g., a compound radius having a different radius in an x and a y axis. The compound radius may be configured so that light (e.g., a beam of light) reflecting off of the second surface has a beam profile that is more circular when it exits the lens body than when it entered the lens body.

[0025] The lens (e.g., the lens body) may be formed of any material, particularly materials that may be molded. For example, the lens body may be formed of a polycarbonate material having a refractive index that is mismatched relative to the refractive index of the optical fiber. Thus, for example, a secondary reflection of optical radiation from an interface between the optical fiber and the lens assembly may be less than -60dB. Further, the reference interface may provide a reference reflection of between about -28 and about -42dB.

[0026] Any of the lens apparatuses, and/or any of the catheters including such lens apparatuses, described herein may be configured as a system including a light source and receiving electronics which may include a processor for generating OCT images. For example, a system for optical coherence tomography (OCT) may include: a source of optical radiation, an optical fiber extending distally to proximally, and a lens assembly optically coupled with a distal end of the optical fiber, wherein the optical fiber and the lens assembly are together configured to provide a common path for optical radiation reflected from a reference interface between the distal end of the optical fiber and the first surface, and from a target. The system can further include receiving electronics configured to receive the optical radiation reflected from the reference interface and the target and a processor to generate an image of the target based upon the optical radiation received by the receiving electronics.

[0027] Also described herein are method of takin OCT images including passing light from an optical fiber and into or off of a lens apparatus as described herein, The method can include creating minimal (e.g., less than -55 dB) secondary reflection results. The method may also include reflecting the light (beam) from the reflective surface at an angle of between about 30
5 degrees and 60 degrees (e.g., approximately 45 degrees) so that it projects laterally out of the device and into the tissue, then collecting light returning from the tissue and passing it back through the lens body and into the fiber optic, where it can be collected and processed (e.g., using a receiver and/or processor) to form an optical coherence tomographic image.

[0028] In general, in one embodiment, a catheter system for optical coherence tomography
10 (OCT) includes an elongate catheter body extending distally to proximally, an optical fiber in the elongate catheter body, and a lens assembly optically coupled with a distal end of the optical fiber. The lens assembly includes a lens body having a first surface that is opposite from and at an angle relative to the distal end of the optical fiber and a second surface distal to the first surface. The second surface is coated with a reflective material so that light passing from the
15 distal end of the optical fiber, through the first surface, and into the lens body reflects off of the second surface and out of the lens body. The optical fiber and the lens assembly are together configured to provide a common path for optical radiation reflected from a target and from a reference interface between the distal end of the optical fiber and the first surface.

[0029] In general, in one embodiment, a catheter system for optical coherence tomography
20 (OCT) includes an elongate catheter body extending distally to proximally, an optical fiber in the elongate catheter body, and a lens assembly optically coupled with a distal end of the optical fiber. The lens assembly includes a lens body having a first surface that is opposite from and at an angle relative to the distal end of the optical fiber and a second surface distal to the first surface. The second surface has a compound radius having a first radius along a first axis that is
25 different from a second radius along a second axis. That light passing from the distal end of the optical fiber, through the first surface, and into the lens body reflects off of the second surface and out of the lens body. The optical fiber and the lens assembly are together configured to provide a common path for optical radiation reflected from a target and from a reference interface between the distal end of the optical fiber and the first surface.

[0030] In general, in one embodiment, a catheter system for optical coherence tomography
30 (OCT) includes an elongate catheter body extending distally to proximally, an optical fiber in the elongate catheter body, and a lens assembly having a first refractive index optically coupled with a distal end of the optical fiber by an interface medium. The interface medium has a second refractive index. The first refractive index and the second refractive index differ by 0.02 or less.
35 The lens assembly includes a lens body having a first surface that is opposite from the distal end

of the optical fiber and a second surface distal to the first surface. Light passing from the distal end of the optical fiber through the first surface and into the lens body reflects off of the second surface and out of the lens body. The optical fiber and the lens assembly are together configured to provide a common path for optical radiation reflected from a target and from a reference interface between the distal end of the optical fiber and the interface medium.

[0031] These and other embodiments can include one or more of the following features. The lens assembly can be an anamorphic lens assembly. The catheter system can further include an interface medium connecting the distal end of the optical fiber and the first surface. The interface medium can be an epoxy. The lens assembly can have a first refractive index and the interface medium can have a second refractive index, wherein the first refractive index and the second refractive index can differ by 0.02 or less. The first surface can be at an angle of 8 degrees or more relative to the distal end of the optical fiber. A tangent of the second surface can be at an angle of between about 40 degrees and 50 degrees relative to a longitudinal axis of the fiber. The catheter system can further include a reflective coating on the second surface. The reflective coating can have a thickness that is configured to reflect more than 80% of light. The reflective coating can be gold. The reflective material can be dielectric. The second surface can include a compound radius. The second surface can include a compound radius having a first radius along a first axis that is different than a second radius along a second axis. The lens body can include a polycarbonate material. A secondary reflection of optical radiation from an interface between the optical fiber and the lens assembly can be less than -60dB. The reference interface can provide a reference reflection of between -28 and -42dB. The second surface can be concave relative to the light passing from the distal end of the optical fiber. An exit surface of the lens assembly can be angled by 8 degrees or more relative to a central longitudinal axis of the optical fiber. The reflective coating can have an optical density of greater than or equal to 3.0. A radius of curvature of the second surface can be between 0.2mm and 1.5mm. The catheter system can further include a source of optical radiation configured to provide the light, and a reflective coating on the second surface can have a thickness of at least 1/6 of an excitation wavelength of the source of optical radiation. The catheter system can further include a source of optical radiation, receiving electronics configured to receive optical radiation reflected from the reference interface and the target, and a processor to generate an image of the target based upon the optical radiation received by the receiving electronics.

[0032] In general, in one embodiment, a catheter for optical coherence tomography (OCT) includes an elongate catheter body extending distally to proximally, an optical fiber in the elongate catheter body, and a lens assembly optically coupled with a distal end of the optical fiber by an interface medium. The lens assembly includes a lens body having a concave

proximal surface that is opposite from and at an angle relative to the distal end of the optical fiber. The proximal surface has a compound radius having first radius along a first axis that is different from a second radius along a second axis. The proximal surface includes a reflective material configured to so that at least 90% light passing from the distal end of the optical fiber through the lens assembly reflects off of the proximal surface. The optical fiber and the lens assembly are together configured to provide a common path for optical radiation reflected from a target and from a reference interface between the distal end of the optical fiber and the proximal surface.

[0033] This and other embodiments can include one or more of the following features. The interface medium can be an epoxy. A tangent of the proximal surface can be at an angle of between about 40 degrees and 50 degrees relative to a longitudinal axis of the fiber. The reflective material can include a reflective coating on the proximal surface. The reflective coating can be gold. The reflective material can be dielectric. The lens body can include a polycarbonate material. A secondary reflection of optical radiation from an interface between the optical fiber and the lens assembly can be less than -60dB. The reference interface can provide a reference reflection of between -28 and -42dB. The reflective coating can have an optical density of greater than 3.0. A radius of curvature of the proximal surface can be between 0.2mm and 1.5mm. The catheter system can further include a source of optical radiation configured to provide the light, wherein a reflective coating on the proximal surface can have a thickness of at least 1/6 of an excitation wavelength of the source of optical radiation. The catheter system can further include a source of optical radiation, receiving electronics configured to receive optical radiation reflected from the reference interface and the target, and a processor to generate an image of the target based upon the optical radiation received by the receiving electronics.

[0034] In general, in one embodiment, a catheter for optical coherence tomography (OCT) includes an elongate catheter body extending distally to proximally, an optical fiber in the elongate catheter body, and a lens assembly optically coupled with a distal end of the optical fiber. The lens assembly includes a lens body having a first surface that is opposite from and at an angle relative to the distal end of the optical fiber and a second surface distal to the first surface. The second surface is uncoated such that light passing from the distal end of the optical fiber, through the first surface, and into the lens body reflects off of the second surface by total internal reflection and out of the lens body. The optical fiber and the lens assembly are together configured to provide a common path for optical radiation reflected from a target and from a reference interface between the distal end of the optical fiber and the first surface.

[0035] In general, in one embodiment, a catheter for optical coherence tomography (OCT) includes an elongate catheter body extending distally to proximally, an optical fiber in the elongate catheter body, and a lens assembly optically coupled with a distal end of the optical fiber by an interface medium. The lens assembly includes a lens body having a concave proximal surface that is opposite from and at an angle relative to the distal end of the optical fiber. The proximal surface has a compound radius having first radius along a first axis that is different from a second radius along a second axis. The proximal surface is uncoated such that light passing from the distal end of the optical fiber, through the first surface, and into the lens body reflects off of the second surface by total internal reflection and out of the lens body. The optical fiber and the lens assembly are together configured to provide a common path for optical radiation reflected from a target and from a reference interface between the distal end of the optical fiber and the proximal surface.

BRIEF DESCRIPTION OF THE DRAWINGS

[0036] The novel features of the invention are set forth with particularity in the claims that follow. A better understanding of the features and advantages of the present invention will be obtained by reference to the following detailed description that sets forth illustrative embodiments, in which the principles of the invention are utilized, and the accompanying drawings of which:

[0037] FIG. 1 is an example of a prior art apparatus including a separate lens (an optical fiber configured as a GRIN lens) coupled to the distal end of an optical fiber, embedded in epoxy into which a separate mirror element has also be embedded.

[0038] FIG. 2 is an example of a catheter including a lens assembly as described herein.

[0039] FIG. 3A is a schematic of a lens assembly within a portion of a catheter. FIG. 3B shows a side sectional view through the lens of FIG. 3A. FIG. 3C shows a side sectional view from the opposite side as FIG. 3B. FIG. 3D shows a sectional view from the end of FIG. 3A.

[0040] FIG. 4 shows another example of a catheter including a lens assembly as described herein.

[0041] FIG. 5A and 5B show perspective views of an exemplary lens assembly. FIG. 3A shows the proximal surface while FIG. 3B shows the distal surface.

[0042] FIG. 6A shows another embodiment of a catheter including a lens assembly as described herein. FIGS. 6B and 6C show perspective views of a lens assembly similar to that in FIG. 6A.

[0043] FIG. 7A shows an catheter with an exemplary pocket for placement of a lens assembly.

[0044] FIG. 7B shows a lens assembly built into a hypotube.

[0045] FIG. 8 is a graph illustrating the relative distances from the imaging tip versus beam diameter for each of a standard optical fiber, GRIN fiber and the improved lens apparatus as described herein, relative to beam diameter. As shown the beam diameter is much finer

5 (smaller) for a much larger range of imaging tip distances, as compared to the prior art (GRIN) devices and devices without any lenses.

[0046] FIG. 9 shows an exemplary carbon dioxide cartridge.

[0047] FIG. 10 shows another embodiment of an exemplary carbon dioxide cartridge.

[0048] FIG. 11 shows an exemplary OCT system for use with a lens assembly as described
10 herein.

DETAILED DESCRIPTION

[0049] Described herein are lens assemblies for use with an imaging device. Any of the lens assemblies described herein may be anamorphic lens assemblies (i.e., lens assemblies that are
15 circularly nonsymmetric and have or produce unequal magnifications along two different axes, i.e., two different axes that are perpendicular to one another). The anamorphic lens, for example, can include two different radii along two different axes. The lens assemblies described herein may be used as part of any optical coherence tomography (OCT) device, and particularly as part of a common path OCT device, which may be included as part of a catheter or other device. The
20 lens assembly may be, for example, placed in and/or on a distal tip of a catheter to: (1) direct the beam towards the imaging object and (2) focus the beam on the imaging object for improved image quality.

[0050] The lens assemblies described herein may be formed, e.g., using a mold. Thus, any of the lens assemblies may also be referred to as “molds” or “mold assemblies.” In some
25 embodiments, the lens assemblies described herein may be made from polycarbonate material, such as Makrolon 2558. In some embodiments, the refractive index of the lens assembly can be close to the refractive index of the interface medium (e.g., epoxy) used to connect the lens assembly to the distal end of the imaging fiber optic.

[0051] Referring to FIG. 2, an imaging device 200 can include an optical fiber 215, e.g., an
30 SMF fiber, used as part of a common path OCT system. The device 200 further includes an anamorphic lens 210 attached to the distal end 212 of the optical fiber 215 with an interface medium 202 (e.g., an adhesive or epoxy). The index of refraction of the core of the optical fiber 215 and the index of refraction of the interface medium 202 can be mismatched as described in U.S. Patent Application No. 14/400,140, filed on 11/10/2014 (titled “OPTICAL COHERENCE
35 TOMOGRAPHY WITH GRADED INDEX FIBER FOR BIOLOGICAL IMAGING”), the

entirety of which is incorporated by reference herein. Further, the index of refraction of the lens 210 and the interface medium 202 can be closely matched (e.g., within .02, such as within .01 or within .001).

5 [0052] The distal surface 221 of the lens can have a compound radius (e.g., a different radius along the x-axis than along the y-axis). Further, the outer portion of the distal surface 221 can be convex (i.e., such that light hits the concave inner portion). The distal surface 221 can have a radius of curvature, for example, of between 0.2mm and 1.5mm.

10 [0053] Further, the distal surface 221 can include a mirror 201 attached or coated thereon. Thus, the mirror 201 can include a coating and/or attached layer on the distal surface 221 of the lens 210. The mirror can have a thickness that is configured to reflect more than 70% (e.g., more than 75%, more than 80%, more than 85%, more than 90%, more than 95%, etc.) of light. In one example, the mirror or coating can have a thickness of greater than or equal to 100nm, such as greater than or equal to 200nm or greater than or equal to 250nm in thickness. In some 15 embodiments, the mirror or coating can have an optical density of 3.0 or greater, such as 3.5 or greater. Any appropriate reflective material may be used for the mirror or coating. For example, the reflective material may include gold, silver, or platinum. Further, the mirror 201 can be angled at approximately 45 degrees, where the angle is defined as the angle off the intersection of the fiber optical axis the second surface (i.e., the angle between the optical axis and the tangent to the compound second surface at the intersection with the second surface).

20 [0054] In this embodiment, the proximal surface 211 of the lens 210 can be oriented substantially parallel to the distal surface 212 of the optical fiber. Further, the outer surface 217 of the lens 210 can be substantially parallel to the axis of the fiber 215 (and therefore substantially perpendicular to the proximal surface 211 of the lens and the distal surface 212 of the optical fiber). In one embodiment, surfaces 211, 217 can be substantially flat. In another 25 embodiment, the surfaces can be slightly curved with a radius of curvature of 0.1 inches or more.

[0055] In use, light from the light source can pass through the optical fiber 215. At the interface of the distal end 212 of the optical fiber and the interface medium 202, some of the light will be reflected back so as to create the reference reflection. The rest of the light can pass from the distal end 212 of the optical fiber through the interface medium 202, and through the 30 proximal surface 211 of the lens. Because the indices of refraction of the fiber and the interface medium are closely matched, only a minimal amount (e.g., less than -55dB) of light will be reflected back from the surface 211. The light can thus travel through the lens 210 and impinge on the mirror 201. Because of the 45 degree angle and the compound surface of the mirror 201, the light can be reflected perpendicular to the longitudinal axis of the fiber 315 with a beam 35 profile 213 that is close to circular when it exits the outer surface 217 of the lens 210.

[0056] As shown in FIG. 2, the fiber 215 can include a stripped section 205 (i.e., a section that does not include a coating, such as a polyimide coating). In contrast to the prior art designs (e.g., device 100 of FIG. 1), the device 200 can include a much smaller fragile section that is made only of the stripped section 205 (i.e., it does not include a GRIN lens). Further, in contrast to the device 100, the device 200 can include a combined lens and reflecting element (i.e., both can be built into lens 210).

[0057] FIGS. 3A-3D illustrate another device 300 including an anamorphic lens 310. The lens 310 is similar to lens 210 except that the proximal surface 311 is lens is angled 2-20 degrees, such as greater than or equal to 8 degrees, relative to the distal end 311 of the optical fiber 315. The relative angle can be obtained by cleaving the distal end of the fiber at an angle and/or by cutting the proximal surface 311 at an angle. Because the surface 311 is angled relative to the distal end 311 of the optical fiber, the refractive indices of the interface medium 302 and the lens 310 can be chosen to be further apart from one another (i.e., can be greater than 0.01 or .02). The angle between the distal end of the optical fiber and the proximal surface 311 can ensure that only a minimal amount (e.g., less than -55dB) of light will be reflected back from the surface 311 while allowing flexibility in the choice of interface medium (e.g., adhesive or epoxy) used to attach the lens 310 to the optical fiber 315.

[0058] Referring to FIGS. 3C-3D, in an exemplary embodiment of a lens 310, a first radius (R1) of the anamorphic lens can be 0.0433 inches while a second radius (R2) of the anamorphic lens can be 0.0229 inches. The angle of the proximal surface 311 can be 8 degrees relative to a distal end of the fiber while an angle of the outer surface 317 can be 8 degrees relative to an axis that is parallel with the longitudinal axis of the fiber. In another embodiment, R1 can be 0.0276 inches, and R2 can be 0.0269 inches, which can result in focusing the beam closer within the target. Further, as shown, the distal surface 321 can be angled at approximately 45 degrees relative to the longitudinal axis of the optical fiber (i.e., the angle between the optical axis and the tangent to the compound second surface at the intersection with the second surface).

[0059] FIG. 4 illustrates yet another device 400 including an anamorphic lens 410. The lens 410 is similar to lens 310 except that the outer surface 417 is angled relative to the longitudinal axis of the fiber. That is, the outer surface 417 can have an angle of between 2-20 degrees, such as 8 degrees or more, relative to an axis that is parallel to the axis of the fiber 417. Angling the surface 417 by 8 degrees or more advantageously ensures that a minimal secondary reflection is created by the surface 417 during imaging. In some embodiments, the surface 417 can be angled so as to make a 90 degree angle with the proximal surface 411. In other embodiments, the surface 417 can be angled in the opposite direction and/or can be angled by a different amount

than the proximal surface 411 so as to prevent the formation of a 90 degree angle (thereby helping to prevent back-reflection into the optical fiber 415).

[0060] FIGS. 5A-5B show an embodiment of an anamorphic lens 510 similar to lens 410. In this embodiment, however, a circle 599a, 599b is drawn on each surface 521, 511, to show a focal area of each of the surfaces 521, 511. The circles 599a,b thus indicate the desired position of the beam when it hits the surfaces 521, 511. Ideally, the beam hits within circle 599b at an intersection of both optical axes (e.g., along R1 and R2). Further, the circles 599a,b can have a larger diameter than the diameter of the fiber to provide tolerance for placement of the fiber relative to the lens 510. For example, the circles 599a,b can have a diameter of 10-100 microns. The optical density and/or thickness of the coating can be configured so as to provide the desired reflections regardless of where the light beam is positioned within circle 599b. Accordingly, the placement of the optical fiber relative to the lens assembly 510 can be within a set tolerance, such as to allow movement within 50 microns of center of the circle 599b.

[0061] FIGS. 6A-6C illustrate another device 600 including an anamorphic lens 610. The lens 610 includes a proximal surface 611 that is both coated with a reflective coating, such as gold (as described above) and that has compound radii (i.e., is anamorphic). During use of this embodiment, the light thus does not travel through the lens, but instead immediately reflects off of the surface 611. The surface 611 can be concave and can have radii and/or a radius of curvature that are approximately the same as described above with respect to the distal surface 321.

[0062] Thus, as discussed above, the SMF-GRIN and mirror assembly required for many prior art devices can be replaced with a single anamorphic lens assembly as described herein.

[0063] In some embodiments, the anamorphic lenses described herein can be made of polycarbonate.

[0064] Further, in some embodiments, the lens assemblies described herein can be molded. Molding a material, such as a polycarbonate, can be relatively inexpensive and easy to make, simplifying the manufacturing process and lowering the cost for making imaging assemblies.

[0065] Referring to FIG. 7A, in some embodiments, the formed lens assembly can be dropped into a crevice 777 or hole in the device housing 709, and the hole can then be filled with the interface medium. Referring to FIG. 7B, in some embodiments, the formed lens assembly can be integral with a hypotube 787 having an elongate channel 788 extending therethrough. The optical fiber can then be placed within the channel 788 and the interface medium used to attach the fiber to the lens 710.

[0066] The interface mediums described herein can be, for example, an epoxy, such as a UV-curing epoxy.

[0067] As mentioned and illustrated, the use of the anamorphic lens assemblies described herein may shorten the length of the distal tip of the devices in which the assemblies are used. The length of the stripped section of the fiber may be much smaller, so the distal imaging and therapeutic housing can be made much smaller.

5 [0068] The lens assemblies described herein can have significantly better focusing capability suited to the geometry of a catheter. For example, the radius of curvature of the anamorphic lens structures described herein may be such that the focus is a preferred (further) distance away from the housing. FIG. 8 shows examples of a range of beam diameters relative to the distance from the imaging tip for an OCT catheter without a lens 801, with a GRIN fiber lens 803, and with the
10 anamorphic lens apparatuses described herein 805. In this example, the beam diameter with 0 being the edge of the housing.

[0069] In some embodiments, the lens assemblies described herein can themselves cause the reflection of the light beam into the tissue. That is, the reflective surfaces can be uncoated, and the reflection can be caused by a total internal reflection resulting from the mismatch of the
15 refractive indices between the lens material and the interface medium and/or air surrounding the lens. In such embodiments, the refractive index of the lens material can be high, such as 1.0 or greater, 1.2 or greater, 1.5 or greater, or 1.7 or greater. Further, in embodiments where light travels through the lens, the distal surface of the lens can be bordered by air to ensure total internal reflection.

20 [0070] In some embodiments, the reference reflection can be made by a surface other than the optical fiber / interface medium surface. For example, the reference reflection can be made by the proximal or distal surfaces of the lens assembly and/or by the outer surface of the lens assembly. In such an embodiment, the indices of refraction of the interface medium and the core of the optical fiber can be closely matched (e.g., within 0.02) in order to provide only minimal
25 secondary reflection at that interface.

[0071] The lens assemblies described herein can be used with a variety of different imaging catheters. For example, the lens assemblies can be used with: U.S. Patent Application No. 12/829,277, filed July 1, 2010, titled "ATHERECTOMY CATHETER WITH LATERALLY-DISPLACEABLE TIP," now U.S. Patent Application Publication No. 2011/0004107; U.S.
30 Patent Application No. 12/829,267, filed July 1, 2010, titled "CATHETER-BASED OFF-AXIS OPTICAL COHERENCE TOMOGRAPHY IMAGING SYSTEM," now U.S. Patent No. 9,125,562; U.S. Patent Application No. 13/175,232, filed July 1, 2011, titled "ATHERECTOMY CATHETERS WITH LONGITUDINALLY DISPLACEABLE DRIVE SHAFTS," now U.S. Patent No. 9,345,510; U.S. Patent Application No. 13/433,049, filed March 28, 2012, titled
35 "OCCLUSION-CROSSING DEVICES, IMAGING, AND ATHERECTOMY DEVICES," now

U.S. Patent No. 8,644,913; U.S. Patent Application No. 14/401,175, filed November 14, 2014, titled "ATHERECTOMY CATHETERS WITH IMAGING," now U.S. Patent Application Publication No. 2016/0141816; U.S. Patent Application No. 14/424,277, filed February 26, 2015, titled "BALLOON ATHERECTOMY CATHETERS WITH IMAGING," now U.S. Patent
5 Application Publication No. 2015/0208922; U.S. Patent Application No. 14/776,750, filed September 15, 2015, titled "CHRONIC TOTAL OCCLUSION CROSSING DEVICES WITH IMAGING, now U.S. Patent Application Publication No. 2016/0029902; U.S. Patent Application No. 15/072,272, filed March 16, 2016, titled "ATHERECTOMY CATHETERS DEVICES HAVING MULTI-CHANNEL BUSHINGS," now U.S. Patent Application
10 Publication No. 2016/0192962; U.S. Patent Application No. 15/076,568, filed February 5, 2015, titled "ATHERECTOMY CATHETERS AND OCCLUSION CROSSING DEVICES;" and International Patent Application No. PCT/US2015/039585, filed July 8, 2015, titled "HIGH SPEED CHRONIC TOTAL OCCLUSION CROSSING DEVICES," now International Patent Publication No. WO 2016/007652, the entireties of which are incorporated by reference.

15 [0072] The lens assemblies described herein can be used, for example, as part of an optical coherence tomography (OCT) system. Referring to Figure 11, the system 1100 can therefore include a source of optical radiation 1122, a common path optical fiber 1115 (e.g., extending through a catheter elongate body), the lens assembly 1110, the interface medium or epoxy 1102, and a detector 1130 configured to receive the optical radiation reflected from the reference
20 interface and the target 1114. The system 1100 can further include a processor to generate an image of the target based upon the optical radiation received by the receiving electronics. As is further shown in Figure 11, a Faraday isolation device 1112, such as a Faraday Effect optical circulator, can be used to separate the paths of the outgoing light source signal and the target and reference signals returning from the distal end of the fiber. Exemplary OCT systems with which
25 the lens assembly can be used are further described in U.S. Patent Application No. 14/400,140, filed on 11/10/2014 (titled "OPTICAL COHERENCE TOMOGRAPHY WITH GRADED INDEX FIBER FOR BIOLOGICAL IMAGING"), the entirety of which is incorporated by reference herein.

30 [0073] In some embodiments, a secondary reflection of optical radiation from an interface between the optical fiber and the lens assembly is less than -60dB. Further, in some embodiments, the reference interface provides a reference reflection of between -28 and -42dB.

[0074] Also described herein are carbon dioxide supply cartridges that can be used, for example, to inflate a balloon of a balloon catheter.

35 [0075] Figure 9 shows a single-use carbon dioxide supply cartridge or device 900. The device 900 includes a cylinder 901 filled with carbon dioxide and a valve assembly 903. In one

embodiment, the cylinder 901 and the valve assembly 903 can be twisted relative to one another in order to open the cylinder and pressure the valve assembly 903. For example, the cylinder 901 can have a threaded male portion 905 while the valve assembly 903 can include a threaded female portion 907. The valve assembly 903 can further include a piercing element, such as a
5 needle, configured to break a seal on the cylinder 901 when the threaded portions 905, 907 are connected together. The valve assembly 903 can further include a rotational valve 919 configured to control or restrict flow of the gas therethrough. Further, a check valve 911 can be configured to control the maximum inflation pressure. For example, the check valve 911 can limit the inflation pressure to 15psi. A catheter connection 909 can mechanically connect to the
10 catheter and provide a flow path for the carbon dioxide from the device 900 to the balloon.

[0076] Figure 10 shows another embodiment of a single-use carbon dioxide supply device 1000 with similar features as device 900.

[0077] The carbon dioxide supply devices 900, 1000 can be used with a variety of different balloon catheters. For example, the devices 900, 1000 can be used with balloon atherectomy
15 catheters, such as those described in International Patent Application No. PCT/US2013/032494, filed March 15, 2013, titled "BALOON ATHERECTOMY CATHETERS WITH IMAGING," and International Patent Application No. PCT/US2015/014613, filed February 5, 2015, titled "ATHERECTOMY CATHETERS AND OCCLUSION CROSSING DEVICES," incorporated by reference herein in their entireties. The carbon dioxide supply device 100 can further be used,
20 for example, with balloon angioplasty catheters. Advantageously, the carbon dioxide supply devices 900,1000 can be a single-use sterile product.

[0078] Although described as a carbon dioxide supply, other inflation gases can be used in devices 900, 1000.

[0079] When a feature or element is herein referred to as being "on" another feature or
25 element, it can be directly on the other feature or element or intervening features and/or elements may also be present. In contrast, when a feature or element is referred to as being "directly on" another feature or element, there are no intervening features or elements present. It will also be understood that, when a feature or element is referred to as being "connected", "attached" or
"coupled" to another feature or element, it can be directly connected, attached or coupled to the
30 other feature or element or intervening features or elements may be present. In contrast, when a feature or element is referred to as being "directly connected", "directly attached" or "directly coupled" to another feature or element, there are no intervening features or elements present. Although described or shown with respect to one embodiment, the features and elements so described or shown can apply to other embodiments. It will also be appreciated by those of skill

in the art that references to a structure or feature that is disposed “adjacent” another feature may have portions that overlap or underlie the adjacent feature.

[0080] Terminology used herein is for the purpose of describing particular embodiments only and is not intended to be limiting of the invention. For example, as used herein, the singular
5 forms “a”, “an” and “the” are intended to include the plural forms as well, unless the context clearly indicates otherwise. It will be further understood that the terms “comprises” and/or “comprising,” when used in this specification, specify the presence of stated features, steps, operations, elements, and/or components, but do not preclude the presence or addition of one or more other features, steps, operations, elements, components, and/or groups thereof. As used
10 herein, the term “and/or” includes any and all combinations of one or more of the associated listed items and may be abbreviated as “/”.

[0081] Spatially relative terms, such as “under”, “below”, “lower”, “over”, “upper” and the like, may be used herein for ease of description to describe one element or feature’s relationship to another element(s) or feature(s) as illustrated in the figures. It will be understood that the
15 spatially relative terms are intended to encompass different orientations of the device in use or operation in addition to the orientation depicted in the figures. For example, if a device in the figures is inverted, elements described as “under” or “beneath” other elements or features would then be oriented “over” the other elements or features. Thus, the exemplary term “under” can encompass both an orientation of over and under. The device may be otherwise oriented (rotated
20 90 degrees or at other orientations) and the spatially relative descriptors used herein interpreted accordingly. Similarly, the terms “upwardly”, “downwardly”, “vertical”, “horizontal” and the like are used herein for the purpose of explanation only unless specifically indicated otherwise.

[0082] Although the terms “first” and “second” may be used herein to describe various features/elements, these features/elements should not be limited by these terms, unless the
25 context indicates otherwise. These terms may be used to distinguish one feature/element from another feature/element. Thus, a first feature/element discussed below could be termed a second feature/element, and similarly, a second feature/element discussed below could be termed a first feature/element without departing from the teachings of the present invention.

[0083] As used herein in the specification and claims, including as used in the examples and
30 unless otherwise expressly specified, all numbers may be read as if prefaced by the word “about” or “approximately,” even if the term does not expressly appear. The phrase “about” or “approximately” may be used when describing magnitude and/or position to indicate that the value and/or position described is within a reasonable expected range of values and/or positions. For example, a numeric value may have a value that is +/- 0.1% of the stated value (or range of
35 values), +/- 1% of the stated value (or range of values), +/- 2% of the stated value (or range of

values), +/- 5% of the stated value (or range of values), +/- 10% of the stated value (or range of values), etc. Any numerical range recited herein is intended to include all sub-ranges subsumed therein.

[0084] Although various illustrative embodiments are described above, any of a number of changes may be made to various embodiments without departing from the scope of the invention as described by the claims. For example, the order in which various described method steps are performed may often be changed in alternative embodiments, and in other alternative embodiments one or more method steps may be skipped altogether. Optional features of various device and system embodiments may be included in some embodiments and not in others.

Therefore, the foregoing description is provided primarily for exemplary purposes and should not be interpreted to limit the scope of the invention as it is set forth in the claims.

[0085] The examples and illustrations included herein show, by way of illustration and not of limitation, specific embodiments in which the subject matter may be practiced. As mentioned, other embodiments may be utilized and derived there from, such that structural and logical substitutions and changes may be made without departing from the scope of this disclosure.

Such embodiments of the inventive subject matter may be referred to herein individually or collectively by the term "invention" merely for convenience and without intending to voluntarily limit the scope of this application to any single invention or inventive concept, if more than one is, in fact, disclosed. Thus, although specific embodiments have been illustrated and described herein, any arrangement calculated to achieve the same purpose may be substituted for the specific embodiments shown. This disclosure is intended to cover any and all adaptations or variations of various embodiments. Combinations of the above embodiments, and other embodiments not specifically described herein, will be apparent to those of skill in the art upon reviewing the above description.

CLAIMS

What is claimed is:

1. A catheter system for optical coherence tomography (OCT), comprising:

5 an elongate catheter body extending distally to proximally;
an optical fiber in the elongate catheter body; and
a lens assembly optically coupled with a distal end of the optical fiber, the lens
assembly comprising a lens body having a first surface that is opposite from and
at an angle relative to the distal end of the optical fiber and a second surface distal
10 to the first surface, wherein the second surface is coated with a reflective material
so that light passing from the distal end of the optical fiber, through the first
surface, and into the lens body reflects off of the second surface and out of the
lens body;
wherein the optical fiber and the lens assembly are together configured to provide a
15 common path for optical radiation reflected from a target and from a reference
interface between the distal end of the optical fiber and the first surface.

2. A catheter system for optical coherence tomography (OCT), comprising:

20 an elongate catheter body extending distally to proximally;
an optical fiber in the elongate catheter body; and
a lens assembly optically coupled with a distal end of the optical fiber, the lens
assembly comprising a lens body having a first surface that is opposite from and
at an angle relative to the distal end of the optical fiber and a second surface distal
25 to the first surface, wherein the second surface has a compound radius having a
first radius along a first axis that is different from a second radius along a second
axis;
wherein that light passing from the distal end of the optical fiber, through the first
surface, and into the lens body reflects off of the second surface and out of the
lens body;
30 wherein the optical fiber and the lens assembly are together configured to provide a
common path for optical radiation reflected from a target and from a reference
interface between the distal end of the optical fiber and the first surface.

3. A catheter system for optical coherence tomography (OCT), comprising:

35 an elongate catheter body extending distally to proximally;

an optical fiber in the elongate catheter body; and
a lens assembly having a first refractive index optically coupled with a distal end of
the optical fiber by an interface medium, the interface medium having a second
refractive index;

5 wherein the first refractive index and the second refractive index differ by 0.02 or
less;

wherein the lens assembly comprises a lens body having a first surface that is
opposite from the distal end of the optical fiber and a second surface distal to the
first surface;

10 wherein light passing from the distal end of the optical fiber through the first surface
and into the lens body reflects off of the second surface and out of the lens body;
and

wherein the optical fiber and the lens assembly are together configured to provide a
common path for optical radiation reflected from a target and from a reference
15 interface between the distal end of the optical fiber and the interface medium.

4. The catheter system of claim 1, 2 or 3, wherein the lens assembly is an anamorphic lens
assembly.

20 5. The catheter system of claim 1 or 2, further comprising an interface medium connecting the
distal end of the optical fiber and the first surface.

6. The catheter system of claims 3 or 5, wherein the interface medium is an epoxy.

25 7. The catheter system of claim 5, wherein the lens assembly has a first refractive index and
the interface medium has a second refractive index, the wherein the first refractive index and
the second refractive index differ by 0.02 or less.

30 8. The catheter system of claim 1, 2 or 3, wherein the first surface is at an angle of 8 degrees or
more relative to the distal end of the optical fiber.

9. The catheter system of claim 1, 2 or 3, wherein a tangent of the second surface is at an angle
of between about 40 degrees and 50 degrees relative to a longitudinal axis of the fiber.

10. The catheter system of claim 2 or 3 further comprising a reflective coating on the second surface.

5 11. The catheter system of claim 1 or 10, wherein the reflective coating has a thickness that is configured to reflect more than 80% of light.

12. The catheter system of claim 1 or 10, wherein the reflective coating comprises gold.

10 13. The catheter system of claim 1 or 10, wherein the reflective material comprises dielectric.

14. The catheter system of claim 1 or 3, wherein the second surface comprises a compound radius.

15 15. The catheter system of claim 1 or 3, wherein the second surface comprises a compound radius having a first radius along a first axis that is different than a second radius along a second axis.

20 16. The catheter system of claim 1, 2 or 3, wherein the lens body comprises a polycarbonate material.

17. The catheter system of claim 1, 2 or 3, wherein a secondary reflection of optical radiation from an interface between the optical fiber and the lens assembly is less than -60dB.

25 18. The catheter system of claim 1, 2 or 3, wherein the reference interface provides a reference reflection of between -28 and -42dB.

19. The catheter system of claim 1, 2, or 3, wherein the second surface is concave relative to the light passing from the distal end of the optical fiber.

30 20. The catheter system of claim 1, wherein an exit surface of the lens assembly is angled by 8 degrees or more relative to a central longitudinal axis of the optical fiber.

21. The catheter system of claim 1 or 10, wherein the reflective coating has an optical density of greater than or equal to 3.0.

35

22. The catheter system of claim 1, 2, or 3, wherein a radius of curvature of the second surface is between 0.2mm and 1.5mm.
23. The catheter system of claim 1, 2, or 3, further comprising a source of optical radiation configured to provide the light, wherein a reflective coating on the second surface has a thickness of at least 1/6 of an excitation wavelength of the source of optical radiation.
24. The catheter system of claim 1, 2, or 3, further comprising a source of optical radiation, receiving electronics configured to receive optical radiation reflected from the reference interface and the target, and a processor to generate an image of the target based upon the optical radiation received by the receiving electronics.
25. A catheter for optical coherence tomography (OCT), comprising:
an elongate catheter body extending distally to proximally;
an optical fiber in the elongate catheter body; and
a lens assembly optically coupled with a distal end of the optical fiber by an interface medium, the lens assembly comprising a lens body having a concave proximal surface that is opposite from and at an angle relative to the distal end of the optical fiber;
wherein the proximal surface has a compound radius having first radius along a first axis that is different from a second radius along a second axis;
wherein the proximal surface comprises a reflective material configured to so that at least 90% light passing from the distal end of the optical fiber through the lens assembly reflects off of the proximal surface; and
wherein the optical fiber and the lens assembly are together configured to provide a common path for optical radiation reflected from a target and from a reference interface between the distal end of the optical fiber and the proximal surface.
26. The catheter system of claim 25, wherein the interface medium is an epoxy.
27. The catheter system of claim 25, wherein a tangent of the proximal surface is at an angle of between about 40 degrees and 50 degrees relative to a longitudinal axis of the fiber.
28. The catheter system of claim 25, wherein the reflective material comprises a reflective coating on the proximal surface.

29. The catheter system of claim 28, wherein the reflective coating comprises gold.
30. The catheter system of claim 28, wherein the reflective material comprises dielectric.
- 5 31. The catheter system of claim 28, wherein the lens body comprises a polycarbonate material.
32. The catheter system of claim 25, wherein a secondary reflection of optical radiation from an interface between the optical fiber and the lens assembly is less than -60dB.
- 10 33. The catheter system of claim 25, wherein the reference interface provides a reference reflection of between -28 and -42dB.
34. The catheter system of claim 25, wherein the reflective coating has an optical density of
15 greater than 3.0.
35. The catheter system of claim 25, wherein a radius of curvature of the proximal surface is between 0.2mm and 1.5mm.
- 20 36. The catheter system of claim 25, further comprising a source of optical radiation configured to provide the light, wherein a reflective coating on the proximal surface has a thickness of at least 1/6 of an excitation wavelength of the source of optical radiation.
37. The catheter system of claim 25, further comprising a source of optical radiation, receiving
25 electronics configured to receive optical radiation reflected from the reference interface and the target, and a processor to generate an image of the target based upon the optical radiation received by the receiving electronics.
38. A catheter for optical coherence tomography (OCT), comprising:
30 an elongate catheter body extending distally to proximally;
an optical fiber in the elongate catheter body; and
a lens assembly optically coupled with a distal end of the optical fiber, the lens
assembly comprising a lens body having a first surface that is opposite from and
at an angle relative to the distal end of the optical fiber and a second surface distal
35 to the first surface, wherein the second surface is uncoated such that light passing

from the distal end of the optical fiber, through the first surface, and into the lens body reflects off of the second surface by total internal reflection and out of the lens body;

wherein the optical fiber and the lens assembly are together configured to provide a
5 common path for optical radiation reflected from a target and from a reference interface between the distal end of the optical fiber and the first surface.

39. A catheter for optical coherence tomography (OCT), comprising:

an elongate catheter body extending distally to proximally;

10 an optical fiber in the elongate catheter body; and

a lens assembly optically coupled with a distal end of the optical fiber by an interface medium, the lens assembly comprising a lens body having a concave proximal surface that is opposite from and at an angle relative to the distal end of the optical fiber;

15 wherein the proximal surface has a compound radius having first radius along a first axis that is different from a second radius along a second axis;

wherein the proximal surface is uncoated such that light passing from the distal end of the optical fiber, through the first surface, and into the lens body reflects off of the second surface by total internal reflection and out of the lens body; and

20 wherein the optical fiber and the lens assembly are together configured to provide a common path for optical radiation reflected from a target and from a reference interface between the distal end of the optical fiber and the proximal surface.

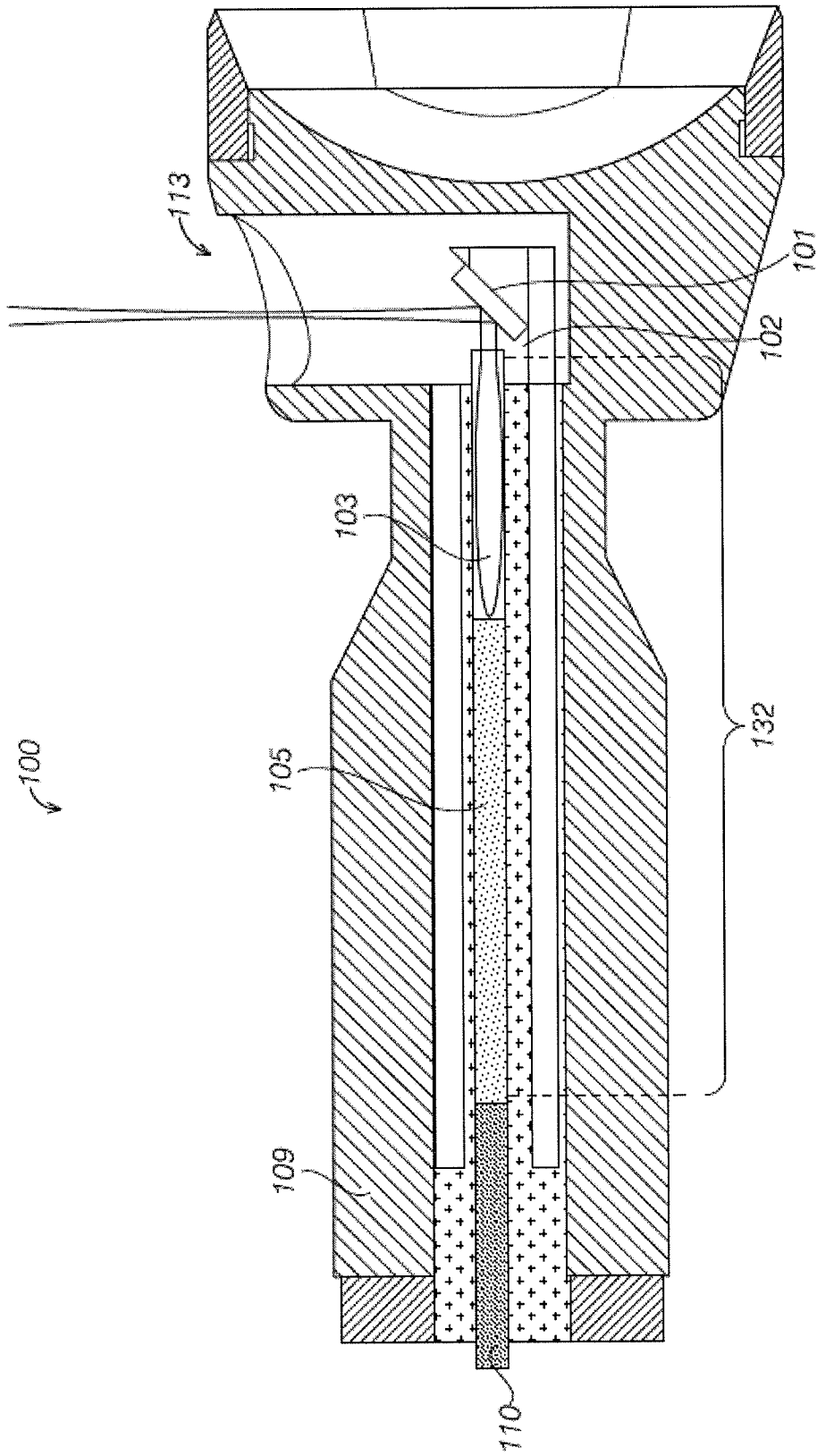


FIG. 1
(PRIOR ART)

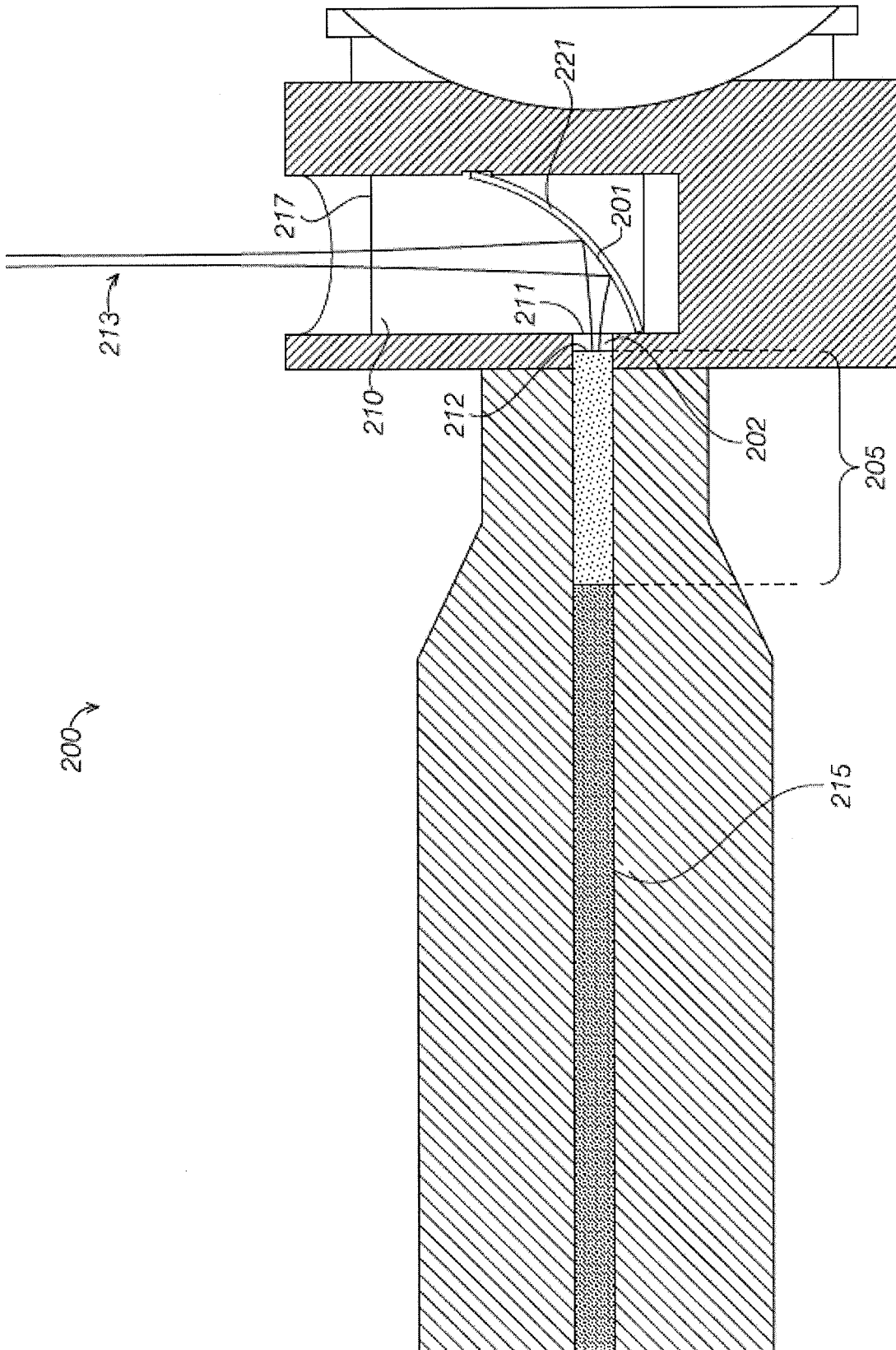


FIG. 2

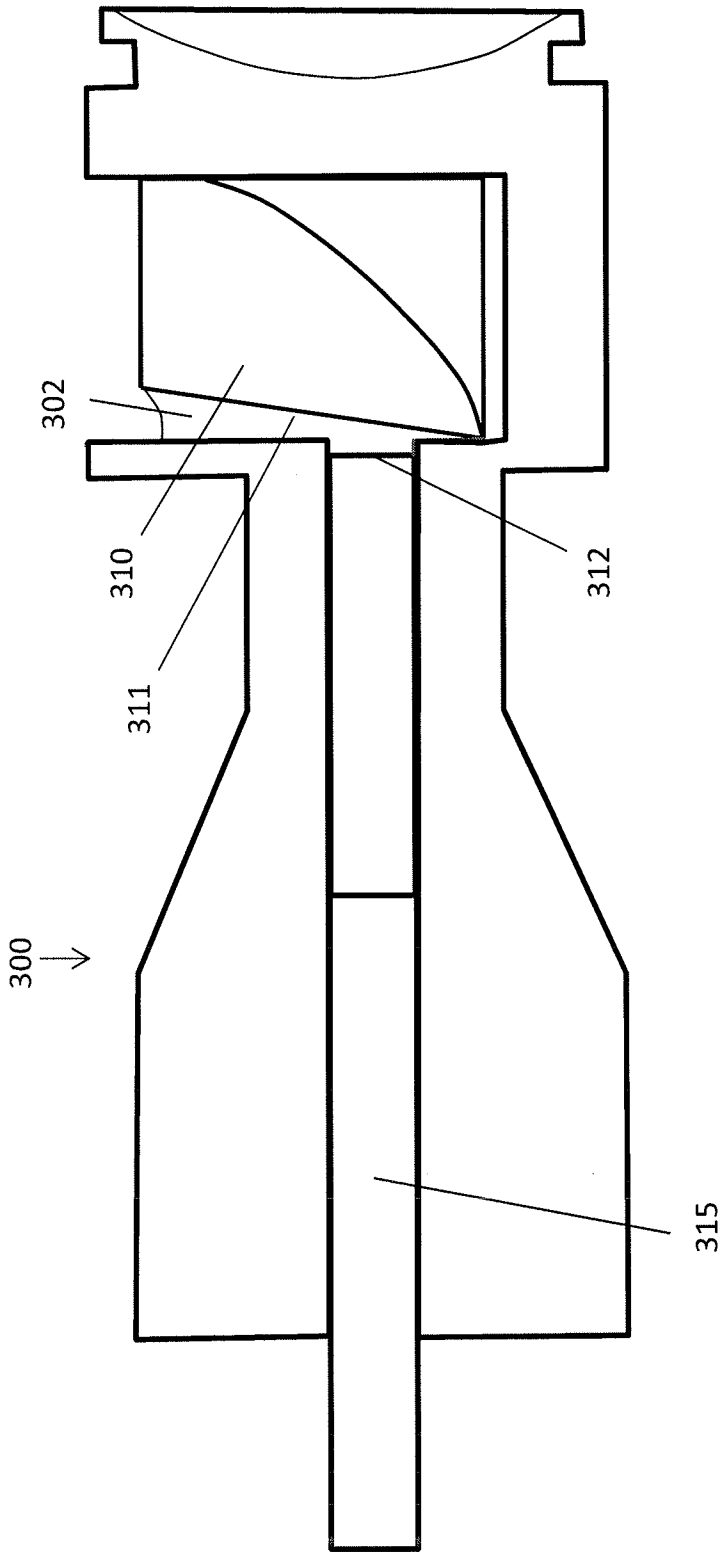


FIG. 3A

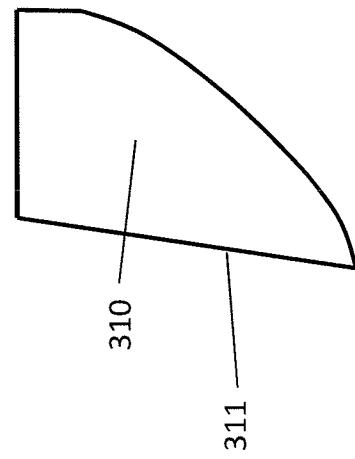


FIG. 3B

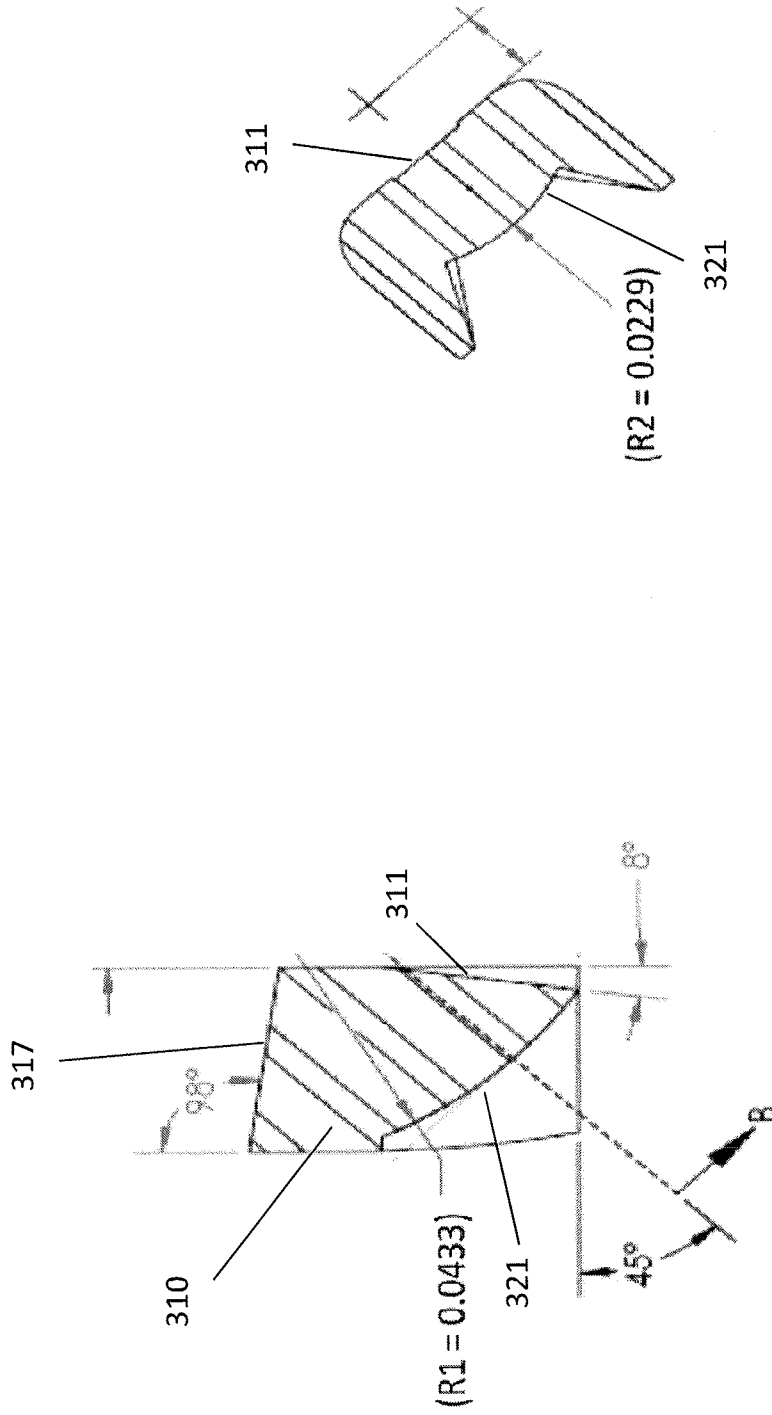


FIG. 3D

FIG. 3C

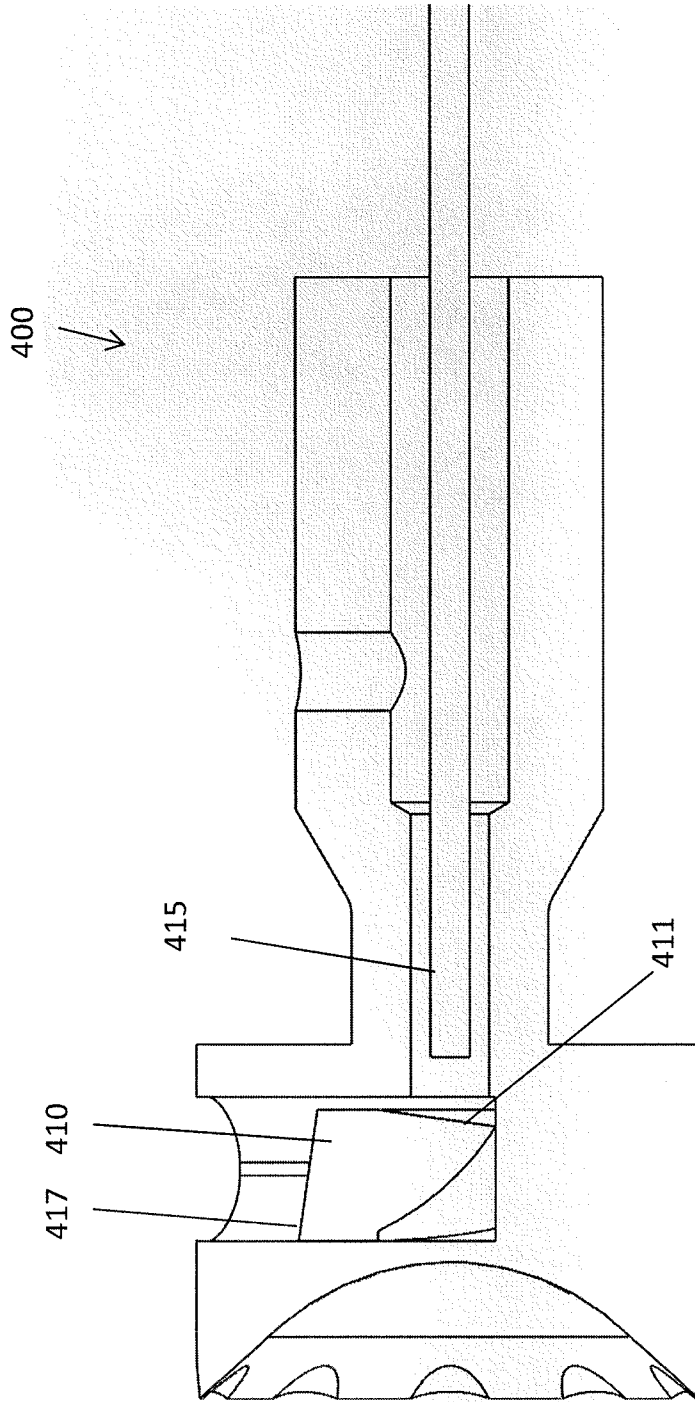


FIG. 4

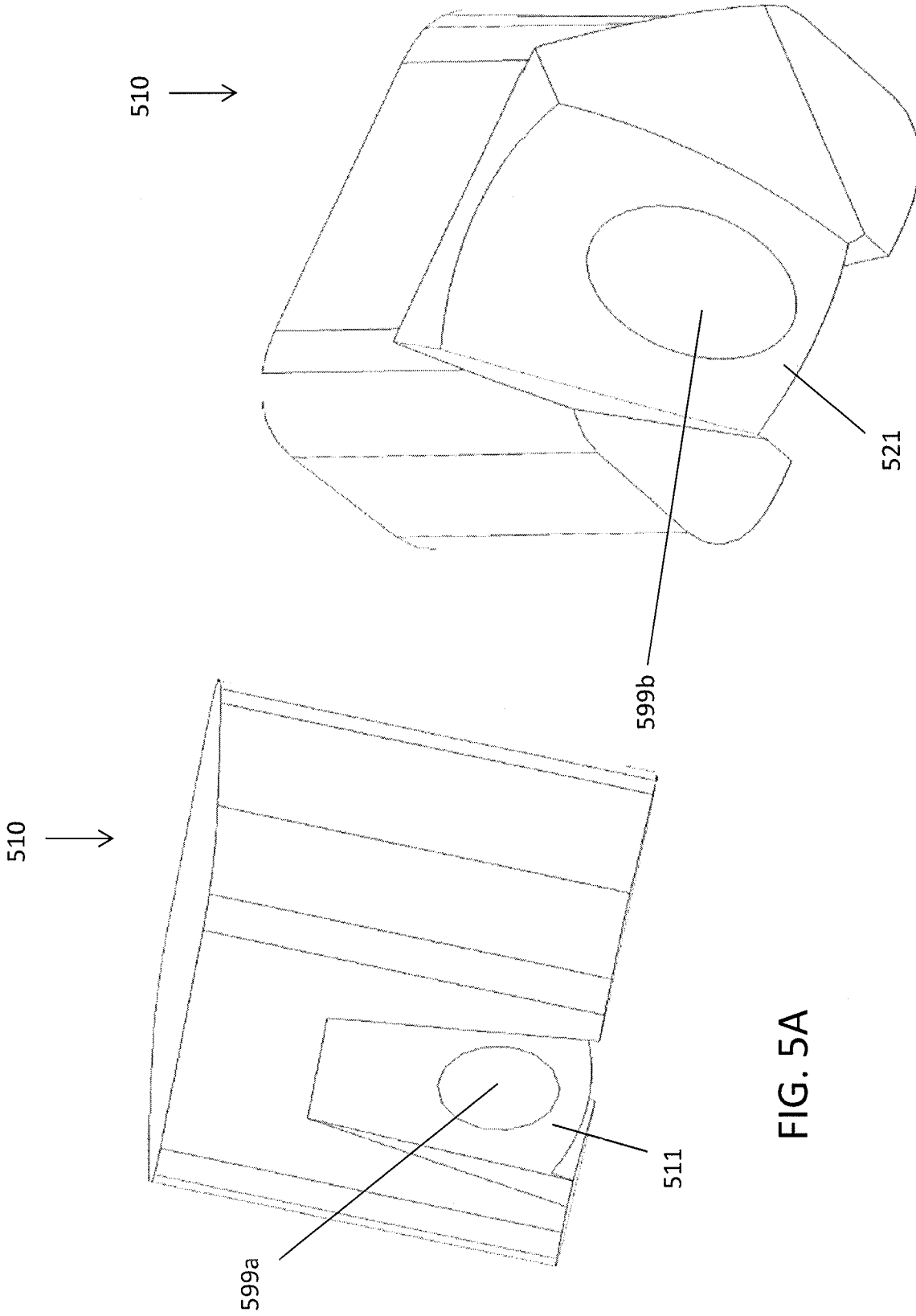
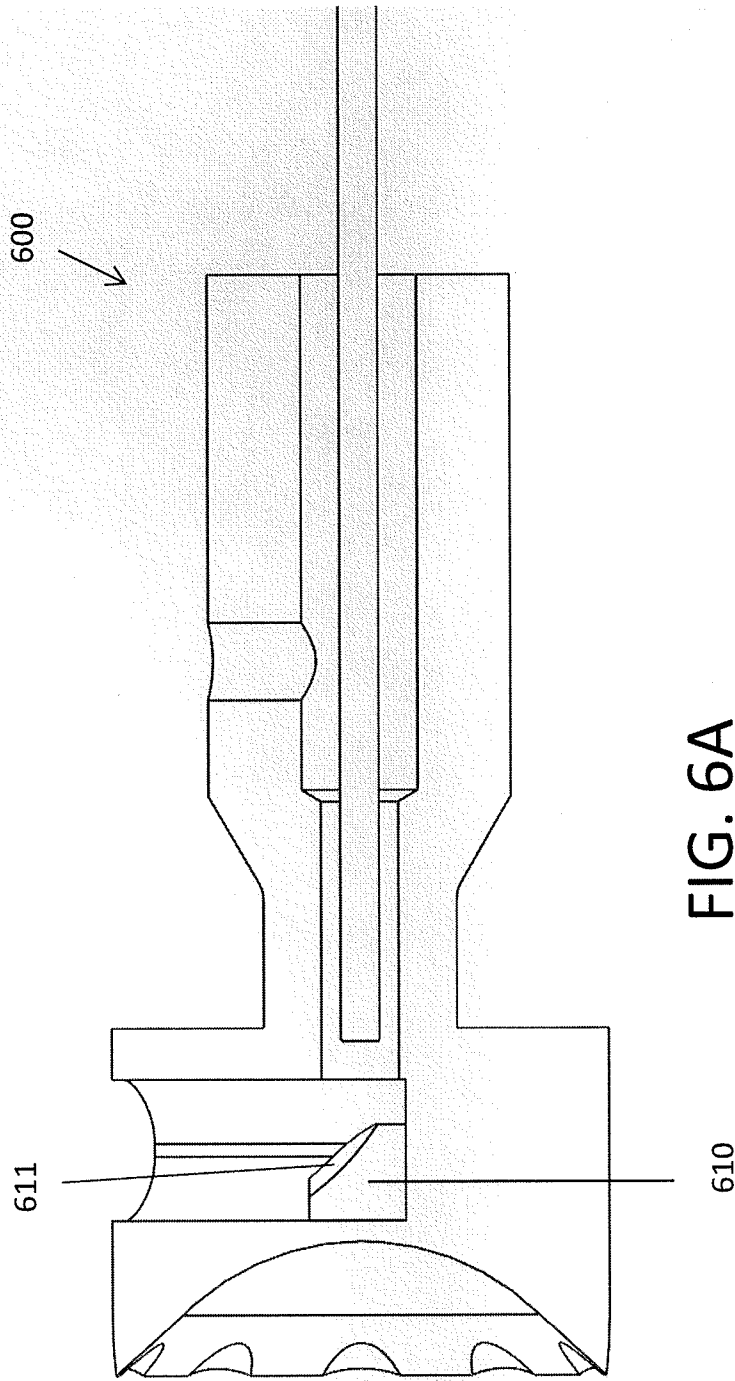


FIG. 5A

FIG. 5B



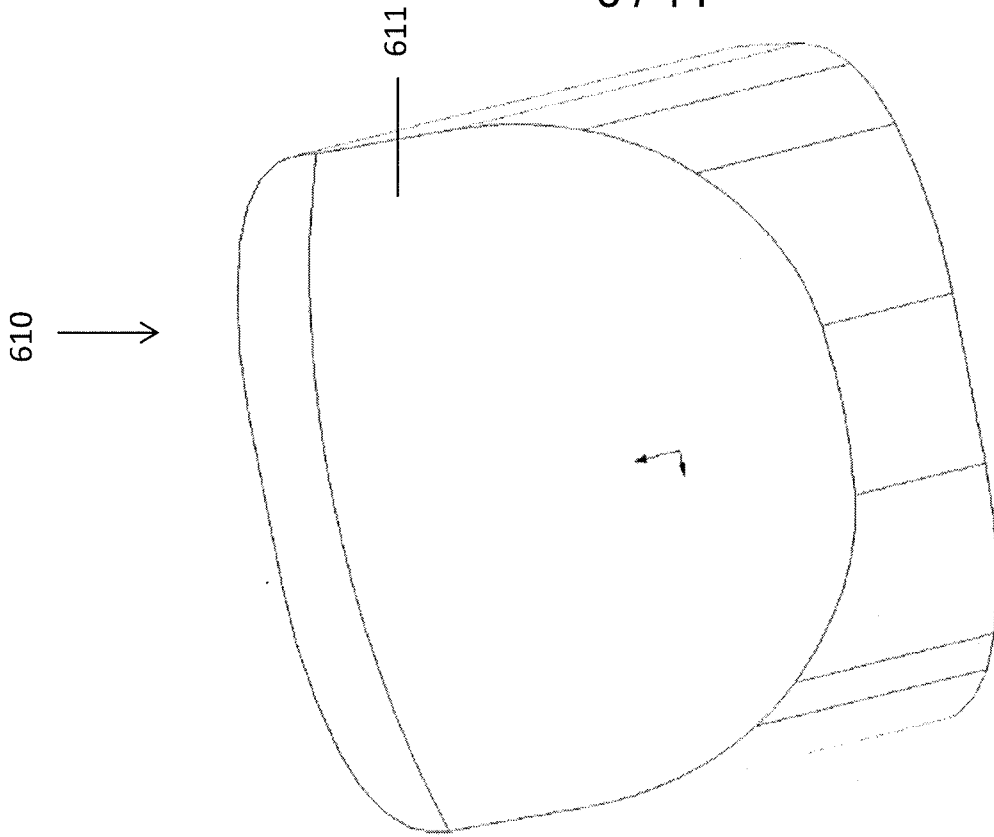


FIG. 6C

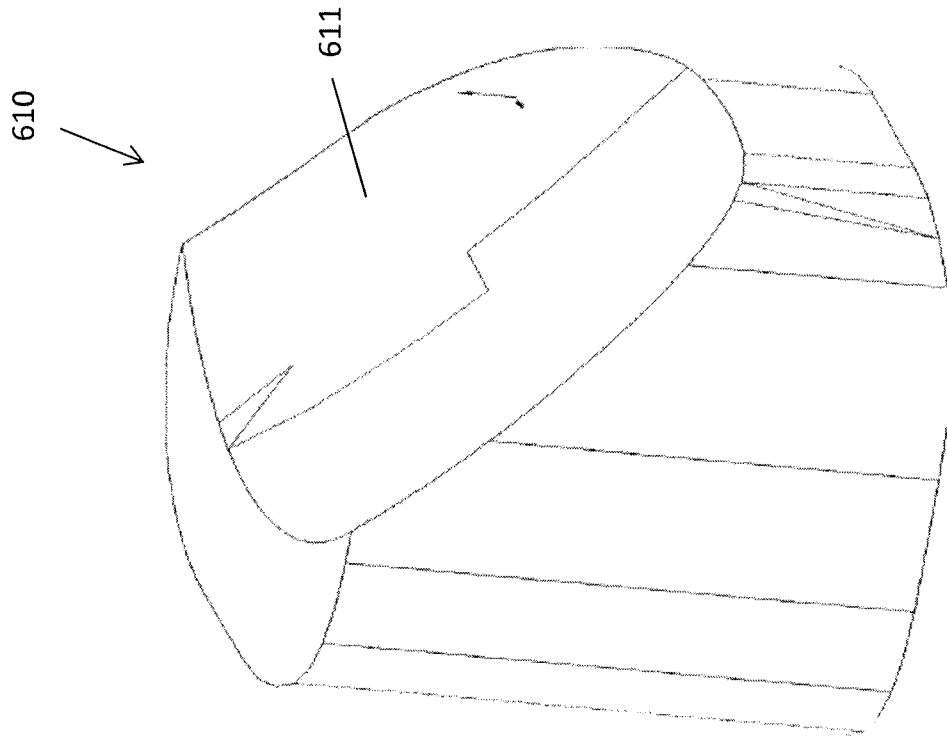


FIG. 6B

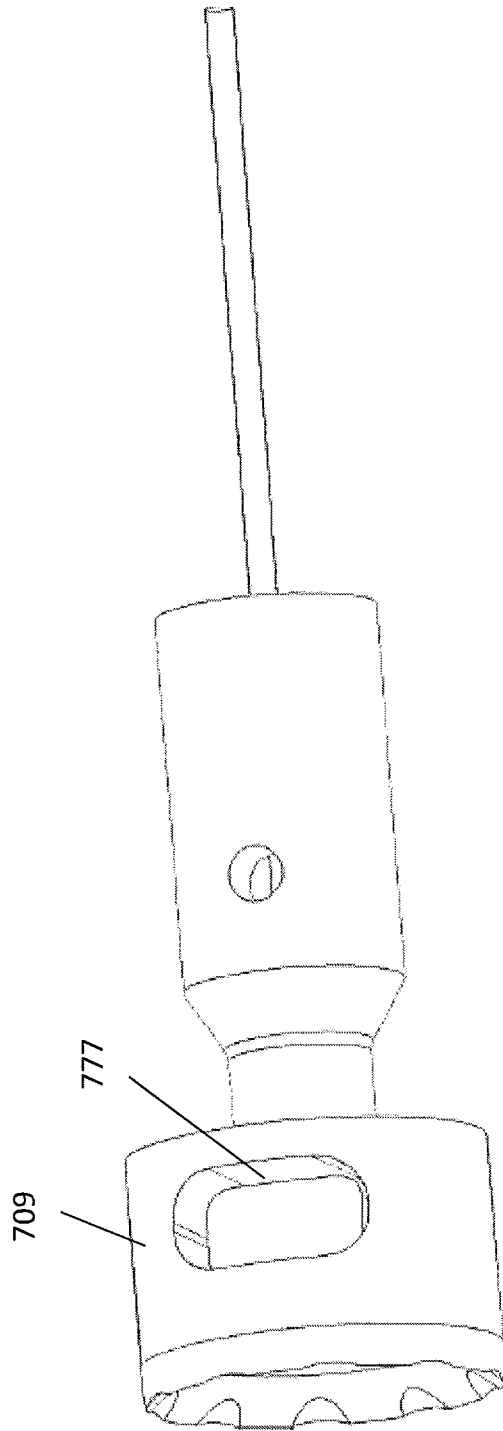


FIG. 7A

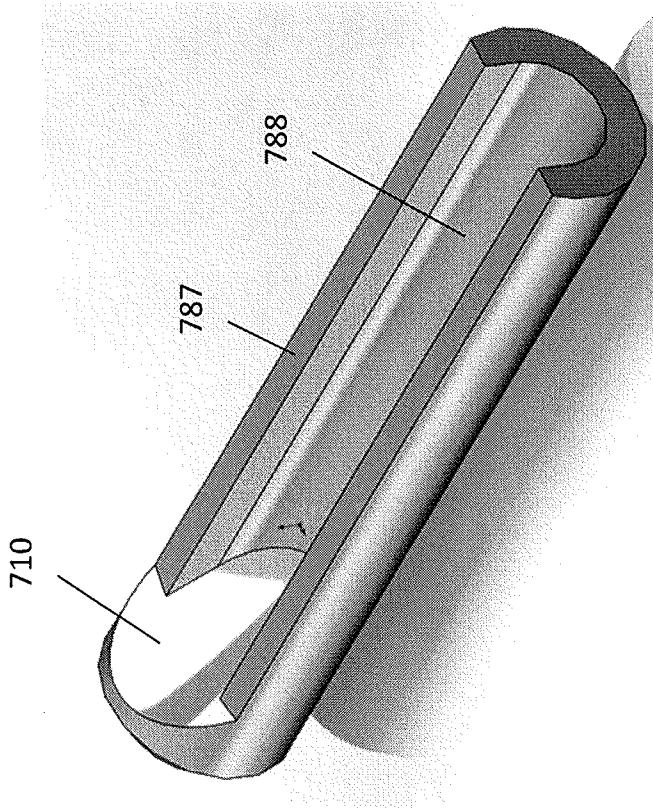


FIG. 7B

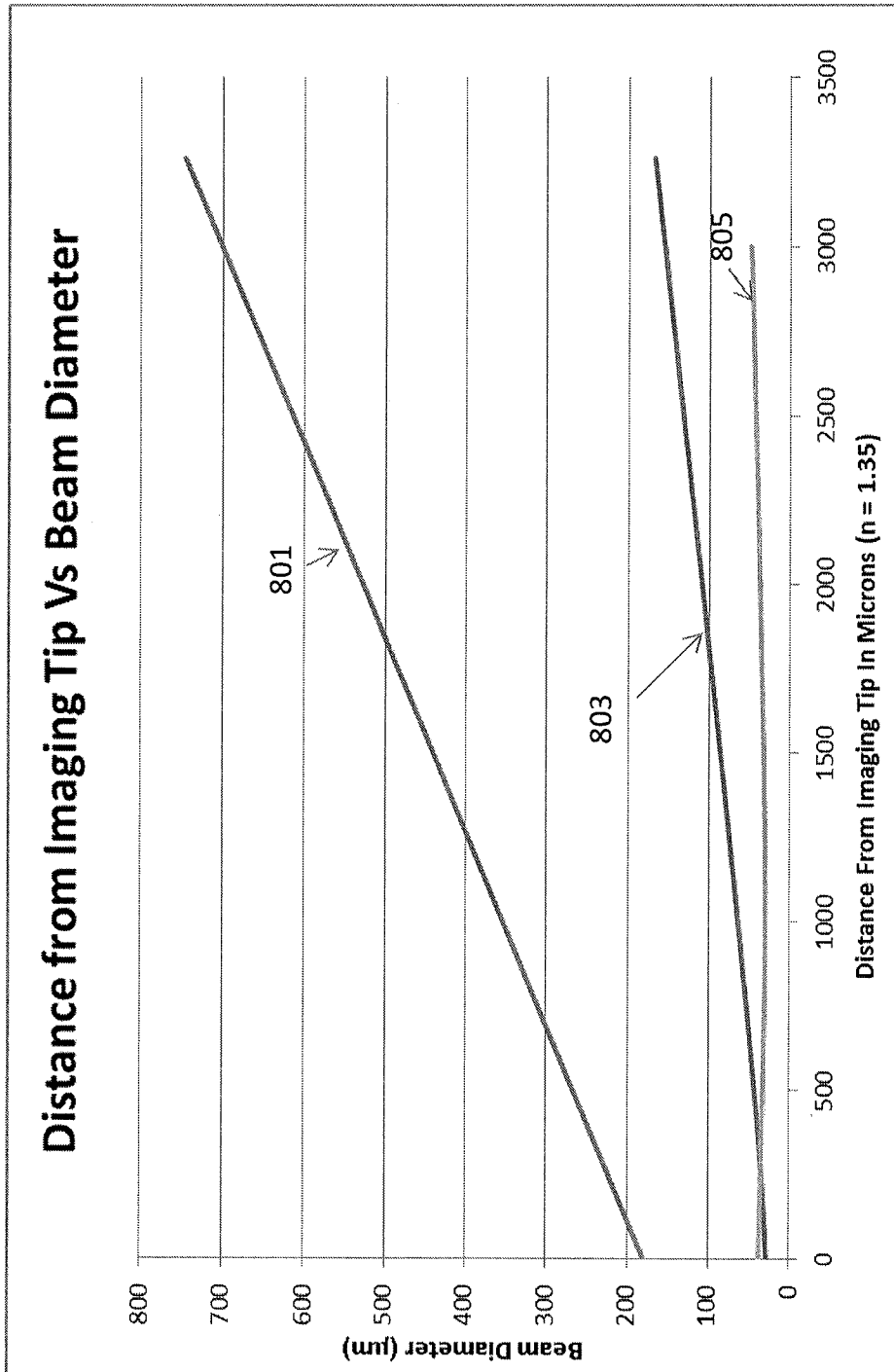


FIG. 8

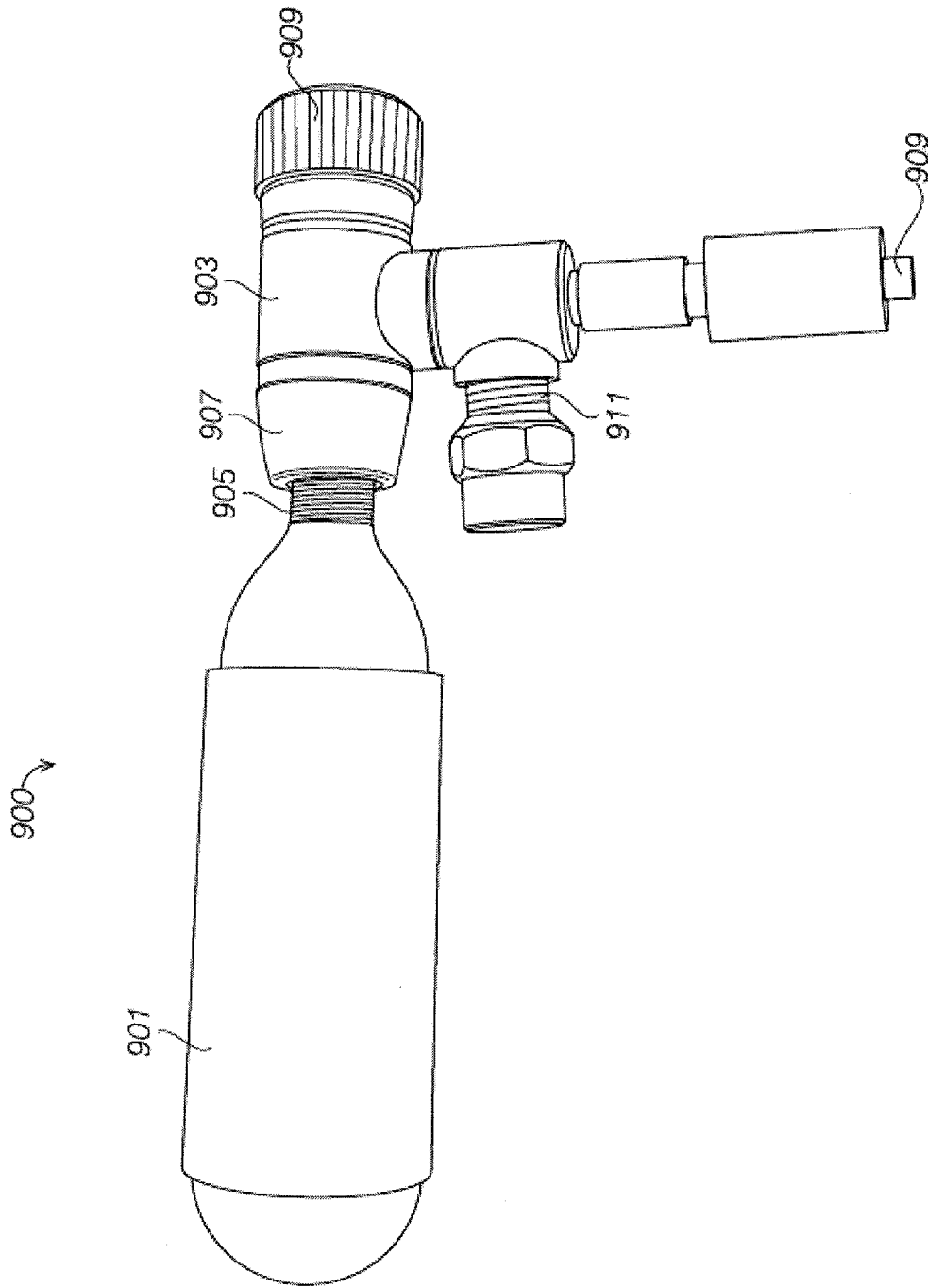


FIG. 9

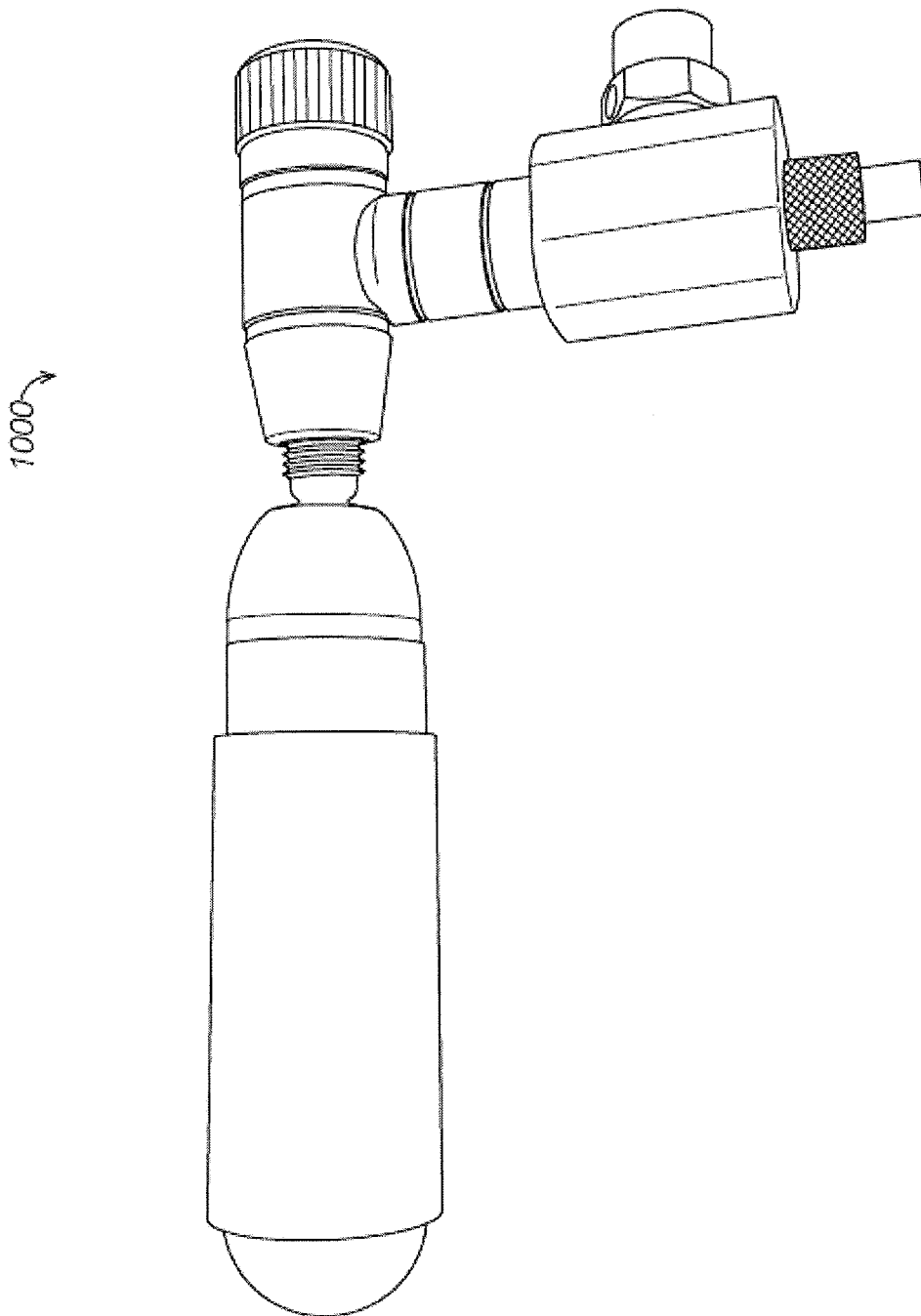


FIG. 10

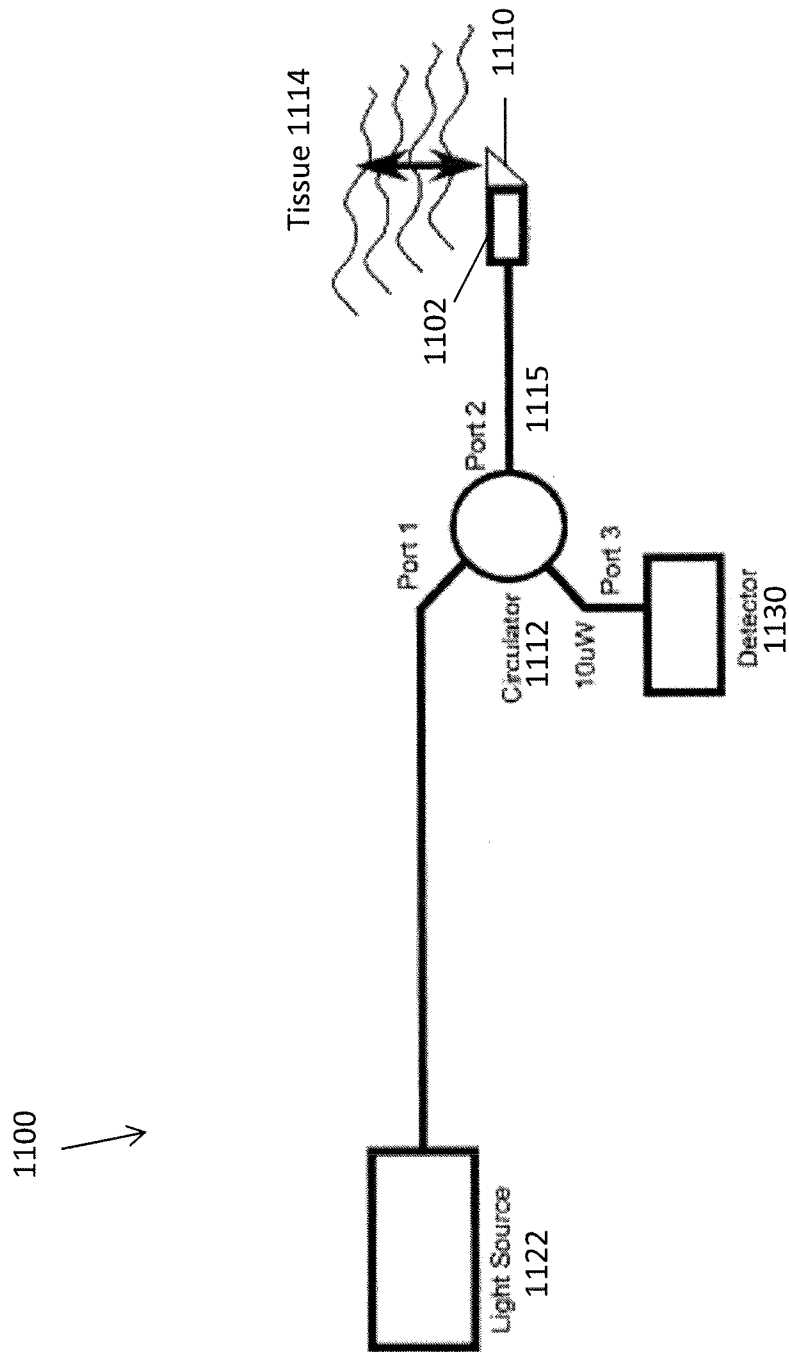


FIG. 11

INTERNATIONAL SEARCH REPORT

International application No.

PCT/US16/42152

A. CLASSIFICATION OF SUBJECT MATTER

IPC(8) - A61B 5/107, 5/0215, 5/027 (2016.01)

CPC - CPC: A61B 5/0066, 5/0084, 5/4836, 5/6851, 5/6852, 17/320016, 17/320758

According to International Patent Classification (IPC) or to both national classification and IPC

B. FIELDS SEARCHED

Minimum documentation searched (classification system followed by classification symbols)

IPC(8): A61B 5/107, 5/0215, 5/027 (2016.01); CPC: A61B 3/00, 5/02007, 1/0055, 1/04, 1/07, 1/3137, 5/0066, 5/0084, 5/4836, 5/6851, 5/6852, 17/320016, 17/320758, 2017/22038, 2090/3735; G06T 2207/00

Documentation searched other than minimum documentation to the extent that such documents are included in the fields searched

Electronic data base consulted during the international search (name of data base and, where practicable, search terms used)

PatSeer (US, EP, WO, JP, DE, GB, CN, FR, KR, ES, AU, IN, CA, RU, AT, CH, TH, BR, PH, MX, NL, Other Countries (INPADOC)); Google Patents; Google; Google Scholar; Google Images; EBSCO; PubMed/Medline; "optical coherence", "anamorphic lens" tomography catheter "refractive index"

C. DOCUMENTS CONSIDERED TO BE RELEVANT

Category*	Citation of document, with indication, where appropriate, of the relevant passages	Relevant to claim No.
X -- Y	US 2015/0099984 A1 (AVINGER, INC.) April 9, 2015; abstract; figures 2A, 4A-B, 5A-B, 6A-B, 7; paragraphs [0004], [0013], [0034], [0040]-[0043], [0059], [0064], [0068], [0071]; claims 1-3	1, 3, 9/1, 9/3, 10/3, 17/1, 17/3, 18/1, 18/3, 23/1, 23/3, 24/1, 24/3 ----- 1, 4/1, 4/3, 5/1, 7/5/1, 8/1, 8/3, 16/1, 16/3, 19/1, 19/3, 20, 22/1, 22/3
X -- Y	US 2013/0266259 A1 (CORNING INCORPORATED) October 10, 2013; abstract; figures 4A-B, 6A, 6C, 7B, 10; paragraphs [0006], [0042], [0044], [0047], [0049], [0053], [0061], [0067], [0077]	38 ----- 1, 4/1, 4/3, 5/1, 7/5/1, 8/1, 8/3, 20
Y	US 2013/0211221 A1 (IMRICOR MEDICAL SYSTEMS, INC.) August 15, 2013; figure 3; paragraph [0029]	16/1, 16/3
Y	US 2013/0223801 A1 (BHAGAVATULA, VA et al.) August 29, 2013; figure 16B; paragraphs [0102]-[0104]	19/1, 19/3, 22/1, 22/3
A	US 2011/0058250 A1 (LIU, C et al.) March 10, 2011; abstract; paragraph [0023]	1-5, 7-10, 14-20, 22-39
A	US 2011/0257478 A1 (KLEINER, J et al.) October 20, 2011; paragraph [0067]	1-5, 7-10, 14-20, 22-39
A	US 2010/0080016 A1 (FUKUI, Y et al.) April 1, 2010; figures 2, 3; paragraph [0047]	1-5, 7-10, 14-20, 22-39

 Further documents are listed in the continuation of Box C. See patent family annex.

* Special categories of cited documents:

"A" document defining the general state of the art which is not considered to be of particular relevance

"E" earlier application or patent but published on or after the international filing date

"L" document which may throw doubts on priority claim(s) or which is cited to establish the publication date of another citation or other special reason (as specified)

"O" document referring to an oral disclosure, use, exhibition or other means

"P" document published prior to the international filing date but later than the priority date claimed

"T" later document published after the international filing date or priority date and not in conflict with the application but cited to understand the principle or theory underlying the invention

"X" document of particular relevance; the claimed invention cannot be considered novel or cannot be considered to involve an inventive step when the document is taken alone

"Y" document of particular relevance; the claimed invention cannot be considered to involve an inventive step when the document is combined with one or more other such documents, such combination being obvious to a person skilled in the art

"&" document member of the same patent family

Date of the actual completion of the international search

20 September 2016 (20.09.2016)

Date of mailing of the international search report

07 OCT 2016

Name and mailing address of the ISA/

Mail Stop PCT, Attn: ISA/US, Commissioner for Patents
P.O. Box 1450, Alexandria, Virginia 22313-1450
Facsimile No. 571-273-8300

Authorized officer

Shane Thomas

PCT Helpdesk: 571-272-4300
PCT OSP: 571-272-7774

INTERNATIONAL SEARCH REPORT

International application No.

PCT/US16/42152

Box No. II Observations where certain claims were found unsearchable (Continuation of item 2 of first sheet)

This international search report has not been established in respect of certain claims under Article 17(2)(a) for the following reasons:

1. Claims Nos.:
because they relate to subject matter not required to be searched by this Authority, namely:

2. Claims Nos.:
because they relate to parts of the international application that do not comply with the prescribed requirements to such an extent that no meaningful international search can be carried out, specifically:

3. Claims Nos.: 6, 11-13, 21
because they are dependent claims and are not drafted in accordance with the second and third sentences of Rule 6.4(a).

Box No. III Observations where unity of invention is lacking (Continuation of item 3 of first sheet)

This International Searching Authority found multiple inventions in this international application, as follows:

1. As all required additional search fees were timely paid by the applicant, this international search report covers all searchable claims.
2. As all searchable claims could be searched without effort justifying additional fees, this Authority did not invite payment of additional fees.
3. As only some of the required additional search fees were timely paid by the applicant, this international search report covers only those claims for which fees were paid, specifically claims Nos.:

4. No required additional search fees were timely paid by the applicant. Consequently, this international search report is restricted to the invention first mentioned in the claims; it is covered by claims Nos.:

Remark on Protest

- The additional search fees were accompanied by the applicant's protest and, where applicable, the payment of a protest fee.
- The additional search fees were accompanied by the applicant's protest but the applicable protest fee was not paid within the time limit specified in the invitation.
- No protest accompanied the payment of additional search fees.