

(19) World Intellectual Property Organization  
International Bureau



(43) International Publication Date  
18 September 2008 (18.09.2008)

PCT

(10) International Publication Number  
**WO 2008/110965 A3**

- (51) International Patent Classification:  
A61F 13/42 (2006.01)
- (21) International Application Number:  
PCT/IB2008/050822
- (22) International Filing Date: 6 March 2008 (06.03.2008)
- (25) Filing Language: English
- (26) Publication Language: English
- (30) Priority Data:  
60/906,044 9 March 2007 (09.03.2007) US
- (71) Applicant (for all designated States except US): **THE PROCTER & GAMBLE COMPANY** [US/US]; One Procter & Gamble Plaza, Cincinnati, Ohio 45202 (US).
- (72) Inventors; and
- (75) Inventors/Applicants (for US only): **MCKIERNAN, Robin, Lynn** [US/US]; 6793 Lexington Park Boulevard, Mason, Ohio 45040 (US). **KLOFTA, Thomas, James** [US/US]; 10404 Hopewell Hills Drive, Cincinnati, Ohio 45249 (US). **ROE, Donald, Carroll** [US/US]; 6324 Emberwood Court, West Chester, Ohio 45069 (US).

- (74) Common Representative: **THE PROCTER & GAMBLE COMPANY**; c/o Eileen L. Hughett, The Procter & Gamble Company, Winton Hill Business Center, 6250 Center Hill Avenue, Cincinnati, OH 45224 (US).
- (81) Designated States (unless otherwise indicated, for every kind of national protection available): AE, AG, AL, AM, AO, AT, AU, AZ, BA, BB, BG, BH, BR, BW, BY, BZ, CA, CH, CN, CO, CR, CU, CZ, DE, DK, DM, DO, DZ, EC, EE, EG, ES, FI, GB, GD, GE, GH, GM, GT, HN, HR, HU, ID, IL, IN, IS, JP, KE, KG, KM, KN, KP, KR, KZ, LA, LC, LK, LR, LS, LT, LU, LY, MA, MD, ME, MG, MK, MN, MW, MX, MY, MZ, NA, NG, NI, NO, NZ, OM, PG, PH, PL, PT, RO, RS, RU, SC, SD, SE, SG, SK, SL, SM, SV, SY, TJ, TM, TN, TR, TT, TZ, UA, UG, US, UZ, VC, VN, ZA, ZM, ZW.
- (84) Designated States (unless otherwise indicated, for every kind of regional protection available): ARIPO (BW, GH, GM, KE, LS, MW, MZ, NA, SD, SL, SZ, TZ, UG, ZM, ZW), Eurasian (AM, AZ, BY, KG, KZ, MD, RU, TJ, TM), European (AT, BE, BG, CH, CY, CZ, DE, DK, EE, ES, FI,

[Continued on next page]

(54) Title: ABSORBENT ARTICLE HAVING A POTTY TRAINING READINESS INDICATOR

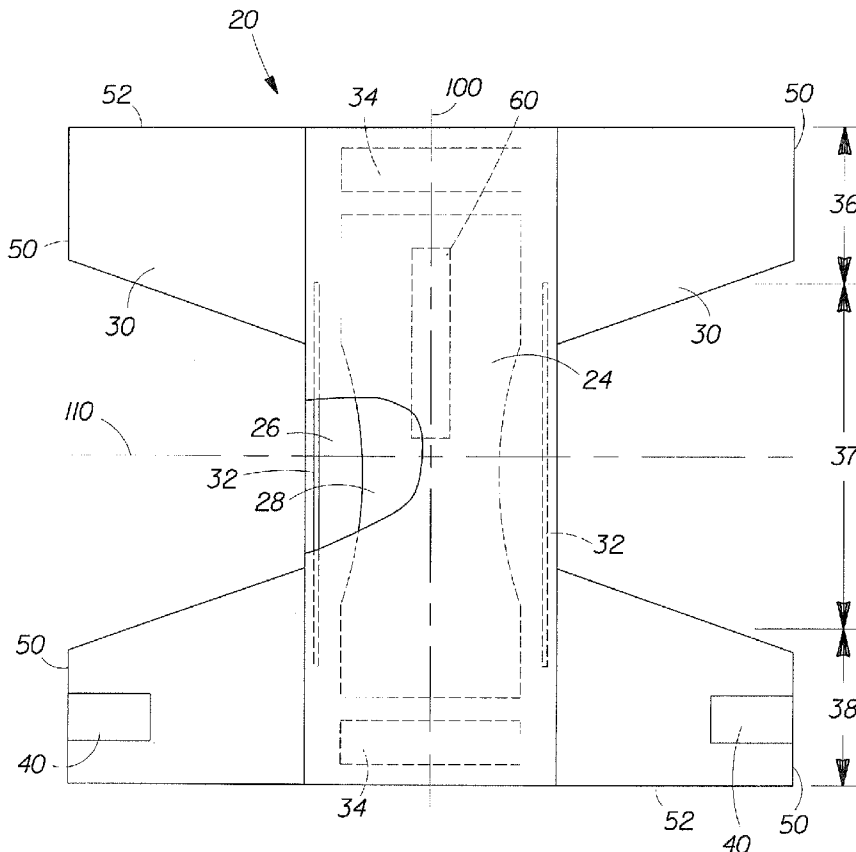


Fig. 1

(57) Abstract: A potty training readiness indicator, which can be utilized in a disposable absorbent article, having at least one indicating member. The potty training readiness indicator which indicates to the caregiver when the wearer is ready to be potty trained.

WO 2008/110965 A3



FR, GB, GR, HR, HU, IE, IS, IT, LT, LU, LV, MC, MT, NL,  
NO, PL, PT, RO, SE, SI, SK, TR), OAPI (BF, BJ, CF, CG,  
CI, CM, GA, GN, GQ, GW, ML, MR, NE, SN, TD, TG).

— *before the expiration of the time limit for amending the  
claims and to be republished in the event of receipt of  
amendments*

**Published:**

— *with international search report*

**(88) Date of publication of the international search report:**

20 November 2008

## INTERNATIONAL SEARCH REPORT

International application No

PCT/IB2008/050822

A. CLASSIFICATION OF SUBJECT MATTER  
INV. A61F13/42

According to International Patent Classification (IPC) or to both national classification and IPC

## B. FIELDS SEARCHED

Minimum documentation searched (classification system followed by classification symbols)

A61F

Documentation searched other than minimum documentation to the extent that such documents are included in the fields searched

Electronic data base consulted during the international search (name of data base and, where practical, search terms used)

EPO-Internal

## C. DOCUMENTS CONSIDERED TO BE RELEVANT

Category*	Citation of document, with indication, where appropriate, of the relevant passages	Relevant to claim No.
X	US 2006/229577 A1 (ROE DONALD C [US] ET AL) 12 October 2006 (2006-10-12) * see figure 2C; paragraphs 3, 5, 6, 8-11, 34, 35, 40, 41 *	1-6, 12
X	US 2006/114754 A1 (MACDONALD JOHN G [US] ET AL MACDONALD JOHN GAVIN [US] ET AL) 1 June 2006 (2006-06-01) * figures 2-5; paragraphs 9, 17, 19, 21, 22, 23, 27-30, 45, 46, 50, 81-83, 86, 89, 90, 94, 100 *	1, 7-12
X	US 2004/138633 A1 (MISHIMA YOSHITAKA [JP] ET AL) 15 July 2004 (2004-07-15) * figures 1 and 2; paragraphs 3, 25 *	1-6, 12
	-/--	

 Further documents are listed in the continuation of Box C. See patent family annex.

\* Special categories of cited documents:

\*A\* document defining the general state of the art which is not considered to be of particular relevance

\*E\* earlier document but published on or after the international filing date

\*L\* document which may throw doubts on priority claim(s) or which is cited to establish the publication date of another citation or other special reason (as specified)

\*O\* document referring to an oral disclosure, use, exhibition or other means

\*P\* document published prior to the international filing date but later than the priority date claimed

\*T\* later document published after the international filing date or priority date and not in conflict with the application but cited to understand the principle or theory underlying the invention

\*X\* document of particular relevance; the claimed invention cannot be considered novel or cannot be considered to involve an inventive step when the document is taken alone

\*Y\* document of particular relevance; the claimed invention cannot be considered to involve an inventive step when the document is combined with one or more other such documents, such combination being obvious to a person skilled in the art.

\*8\* document member of the same patent family

Date of the actual completion of the international search

4 September 2008

Date of mailing of the international search report

30/09/2008

Name and mailing address of the ISA/

European Patent Office, P.B. 5818 Patentlaan 2  
NL - 2280 HV Rijswijk  
Tel: (+31-70) 340-2040. Tx: 31 651 epo nl,  
Fax: (+31-70) 340-3016

Authorized officer

Barenbrug, Theo

INTERNATIONAL SEARCH REPORT

International application No  
PCT/IB2008/050822

C(Continuation). DOCUMENTS CONSIDERED TO BE RELEVANT		
Category*	Citation of document, with indication, where appropriate, of the relevant passages	Relevant to claim No.
X	US 2001/053898 A1 (OLSON CHRISTOPHER PETER [US] ET AL) 20 December 2001 (2001-12-20) * paragraphs 2, 4, 7, 9-11 * -----	1,7,9, 11,12
X	US 2006/264858 A1 (ROE DONALD C [US] ET AL) 23 November 2006 (2006-11-23) * figures 7A-7C; paragraphs 156-158 * -----	1,7,9, 11,12

# INTERNATIONAL SEARCH REPORT

Information on patent family members

International application No

PCT/IB2008/050822

Patent document cited in search report	Publication date	Patent family member(s)	Publication date				
US 2006229577	A1	12-10-2006	AR 055902 A1	12-09-2007			
			AR 058793 A1	27-02-2008			
			CA 2603265 A1	19-10-2006			
			CA 2603267 A1	19-10-2006			
			CN 101146500 A	19-03-2008			
			CN 101151008 A	26-03-2008			
			EP 1865902 A1	19-12-2007			
			EP 1865904 A1	19-12-2007			
			US 2006229578 A1	12-10-2006			
			WO 2006110428 A1	19-10-2006			
			WO 2006110502 A1	19-10-2006			
			US 2006114754	A1	01-06-2006	EP 1817644 A2	15-08-2007
KR 20070085501 A	27-08-2007						
US 2008025154 A1	31-01-2008						
WO 2006060060 A2	08-06-2006						
US 2004138633	A1	15-07-2004	AU 2003289483 A1	29-07-2004			
			BR 0316884 A	25-10-2005			
			CA 2510901 A1	22-07-2004			
			CN 1731966 A	08-02-2006			
			EP 1579833 A1	28-09-2005			
			WO 2004060246 A1	22-07-2004			
			JP 2004208833 A	29-07-2004			
			KR 20050090418 A	13-09-2005			
			TW 227667 B	11-02-2005			
			US 2001053898	A1	20-12-2001	AU 774300 B2	24-06-2004
AU 5739400 A	02-01-2001						
BR 0011642 A	26-03-2002						
CN 1370060 A	18-09-2002						
DE 60033395 T2	29-11-2007						
EG 22641 A	31-05-2003						
EP 1194101 A1	10-04-2002						
JP 2003501211 T	14-01-2003						
MX PA01012453 A	04-06-2002						
PL 364856 A1	27-12-2004						
RU 2241424 C2	10-12-2004						
TW 577316 Y	21-02-2004						
WO 0076442 A1	21-12-2000						
US 6297424 B1	02-10-2001						
ZA 200109696 A	26-11-2002						
US 2006264858	A1	23-11-2006				AU 2006251649 A1	30-11-2006
						CA 2608069 A1	30-11-2006
			CN 101180021 A	14-05-2008			
			EP 1881810 A2	30-01-2008			
			WO 2006127519 A2	30-11-2006			