



- (51) International Patent Classification:
F21V 29/00 (2006.01)
- (21) International Application Number:
PCT/US2013/045708
- (22) International Filing Date:
13 June 2013 (13.06.2013)
- (25) Filing Language: English
- (26) Publication Language: English
- (30) Priority Data:
61/662,012 20 June 2012 (20.06.2012) US
13/867,730 22 April 2013 (22.04.2013) US
- (71) Applicant: JOURNEE LIGHTING, INC. [US/US]; 4607 Lakeview Canyon Rd., # 50, Westlake Village, CA 91361 (US).
- (72) Inventor: ALEXANDER, Clayton; 4607 Lakeview Canyon Rd., # 500, Westlake Village, CA 91361 (US).
- (74) Agent: ALTMAN, Daniel, E.; Knobbe Martens Olson & Bear, LLP, 2040 Main Street, 14th Floor, Irvine, CA 92614 (US).
- (81) Designated States (unless otherwise indicated, for every kind of national protection available): AE, AG, AL, AM, AO, AT, AU, AZ, BA, BB, BG, BH, BN, BR, BW, BY, BZ, CA, CH, CL, CN, CO, CR, CU, CZ, DE, DK, DM, DO, DZ, EC, EE, EG, ES, FI, GB, GD, GE, GH, GM, GT,

HN, HR, HU, ID, IL, IN, IS, JP, KE, KG, KN, KP, KR, KZ, LA, LC, LK, LR, LS, LT, LU, LY, MA, MD, ME, MG, MK, MN, MW, MX, MY, MZ, NA, NG, NI, NO, NZ, OM, PA, PE, PG, PH, PL, PT, QA, RO, RS, RU, RW, SC, SD, SE, SG, SK, SL, SM, ST, SV, SY, TH, TJ, TM, TN, TR, TT, TZ, UA, UG, US, UZ, VC, VN, ZA, ZM, ZW.

(84) Designated States (unless otherwise indicated, for every kind of regional protection available): ARIPO (BW, GH, GM, KE, LR, LS, MW, MZ, NA, RW, SD, SL, SZ, TZ, UG, ZM, ZW), Eurasian (AM, AZ, BY, KG, KZ, RU, TJ, TM), European (AL, AT, BE, BG, CH, CY, CZ, DE, DK, EE, ES, FI, FR, GB, GR, HR, HU, IE, IS, IT, LT, LU, LV, MC, MK, MT, NL, NO, PL, PT, RO, RS, SE, SI, SK, SM, TR), OAPI (BF, BJ, CF, CG, CI, CM, GA, GN, GQ, GW, KM, ML, MR, NE, SN, TD, TG).

Declarations under Rule 4.17:

- as to applicant's entitlement to apply for and be granted a patent (Rule 4.17(ii))
- as to the applicant's entitlement to claim the priority of the earlier application (Rule 4.17(iii))

Published:

- with international search report (Art. 21(3))

(88) Date of publication of the international search report:
28 May 2015

(54) Title: LINEAR LED MODULE AND SOCKET FOR SAME

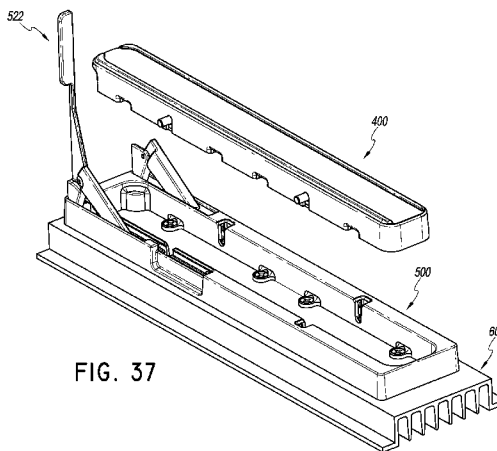


FIG. 37

(57) Abstract: A lighting assembly can include a linear light module with one or more LED light elements, where a length of the light module is greater than a width of the light module. An elongate socket removably receives the linear light module therein. The socket includes a locking mechanism actuatable to releasably and resiliently lock the linear light module in the socket via actuation of one or more levers.



INTERNATIONAL SEARCH REPORT

International application No.

PCT/US2013/045708

A. CLASSIFICATION OF SUBJECT MATTER IPC(8) - F21V 29/00 (2013.01) USPC - 362/294 According to International Patent Classification (IPC) or to both national classification and IPC		
B. FIELDS SEARCHED Minimum documentation searched (classification system followed by classification symbols) IPC(8) - F21V 5/00, 23/00, 29/00; H01R 3/00 (2013.01) USPC - 362/11, 231, 244, 294, 800; 439/490 Documentation searched other than minimum documentation to the extent that such documents are included in the fields searched CPC - F21K 9/00; F21V 29/00, 29/004; F21Y 2101/02 (2013.01) Electronic data base consulted during the international search (name of data base and, where practicable, search terms used) Orbit, Google Patents, Google Scholar		
C. DOCUMENTS CONSIDERED TO BE RELEVANT		
Category*	Citation of document, with indication, where appropriate, of the relevant passages	Relevant to claim No.
Y	US 2006/0141851 A (MATSUI et al) 29 June 2006 (29.06.2006) entire document	1-23
Y	US 2007/0064428 A1 (BEAUCHAMP) 22 March 2007 (22.03.2007) entire document	1-23
A	US 2003/0072156 A1 (POHLERT et al) 17 April 2003 (17.04.2003) entire document	1-23
A	US 2011/0222270 A1 (PORCIATTI) 15 September 2011 (15.09.2011) entire document	1-23
<input type="checkbox"/> Further documents are listed in the continuation of Box C. <input type="checkbox"/>		
* Special categories of cited documents: "A" document defining the general state of the art which is not considered to be of particular relevance "E" earlier application or patent but published on or after the international filing date "L" document which may throw doubts on priority claim(s) or which is cited to establish the publication date of another citation or other special reason (as specified) "O" document referring to an oral disclosure, use, exhibition or other means "P" document published prior to the international filing date but later than the priority date claimed "T" later document published after the international filing date or priority date and not in conflict with the application but cited to understand the principle or theory underlying the invention "X" document of particular relevance; the claimed invention cannot be considered novel or cannot be considered to involve an inventive step when the document is taken alone "Y" document of particular relevance; the claimed invention cannot be considered to involve an inventive step when the document is combined with one or more other such documents, such combination being obvious to a person skilled in the art "&" document member of the same patent family		
Date of the actual completion of the international search 05 November 2013		Date of mailing of the international search report 27 NOV 2013
Name and mailing address of the ISA/US Mail Stop PCT, Attn: ISA/US, Commissioner for Patents P.O. Box 1450, Alexandria, Virginia 22313-1450 Facsimile No. 571-273-3201		Authorized officer: Blaine R. Copenheaver PCT Helpdesk: 571-272-4300 PCT OSP: 571-272-7774