



- (51) International Patent Classification: *B01D 29/11* (2006.01) *C02F 1/32* (2006.01)
- (21) International Application Number: PCT/US2012/050128
- (22) International Filing Date: 9 August 2012 (09.08.2012)
- (25) Filing Language: English
- (26) Publication Language: English
- (30) Priority Data: 61/521,837 10 August 2011 (10.08.2011) US
- (71) Applicant (for all designated States except US): **ACCESS BUSINESS GROUP INTERNATIONAL LLC** [US/US]; 7575 Fulton Street East, Ada, Michigan 49355 (US).
- (72) Inventors; and
- (75) Inventors/Applicants (for US only): **KOSAK, Michael J.** [US/US]; 9605 Homerich SW, Byron Center, Michigan 49315 (US). **GREENE, Michael K.** [US/US]; 5347 Maple Hill Avenue SE, Ada, Michigan 49301 (US). **SCHLENK, Daniel L.** [US/US]; 227 Woodside Drive NE, Grand Rapids, Michigan 49503 (US).
- (74) Agents: **MCNURLEN, Scott T.** et al.; Warner Norcross & Judd LLP, 900 Fifth Third Center, 111 Lyon Street NW, Grand Rapids, Michigan 49503 (US).
- (81) Designated States (unless otherwise indicated, for every kind of national protection available): AE, AG, AL, AM, AO, AT, AU, AZ, BA, BB, BG, BH, BN, BR, BW, BY, BZ, CA, CH, CL, CN, CO, CR, CU, CZ, DE, DK, DM, DO, DZ, EC, EE, EG, ES, FI, GB, GD, GE, GH, GM, GT,

[Continued on next page]

(54) Title: FILTER ASSEMBLY



WO 2013/023047 A3

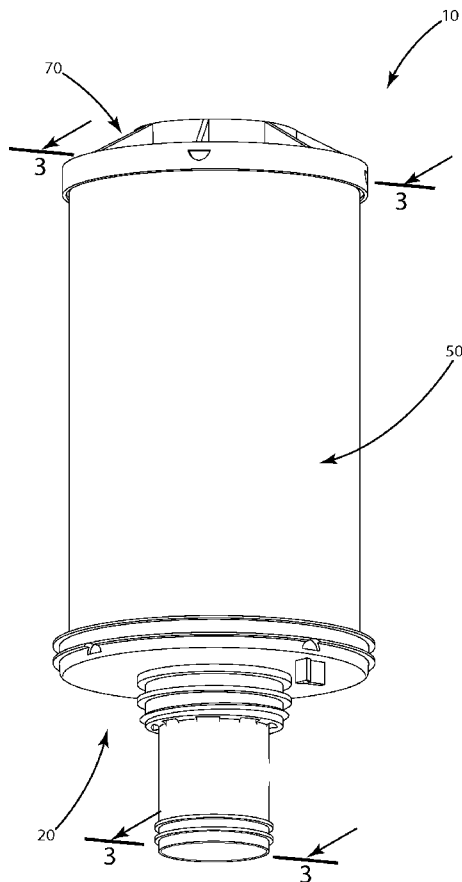


Fig. 1

(57) Abstract: A filter assembly for a water treatment system includes a first end cap and a second end cap that secure about the ends of a filter. A central member extends through a central void in the filter. The filter assembly has corresponding non-adhesive locking mechanisms that interact to secure the filter assembly together. Two gaskets may sandwich the filter and a reflector may be positioned within the central member. An ultraviolet lamp may also be positioned within the central member.



HN, HR, HU, ID, IL, IN, IS, JP, KE, KG, KM, KN, KP, KR, KZ, LA, LC, LK, LR, LS, LT, LU, LY, MA, MD, ME, MG, MK, MN, MW, MX, MY, MZ, NA, NG, NI, NO, NZ, OM, PE, PG, PH, PL, PT, QA, RO, RS, RU, RW, SC, SD, SE, SG, SK, SL, SM, ST, SV, SY, TH, TJ, TM, TN, TR, TT, TZ, UA, UG, US, UZ, VC, VN, ZA, ZM, ZW.

(84) Designated States (unless otherwise indicated, for every kind of regional protection available): ARIPO (BW, GH, GM, KE, LR, LS, MW, MZ, NA, RW, SD, SL, SZ, TZ, UG, ZM, ZW), Eurasian (AM, AZ, BY, KG, KZ, RU, TJ, TM), European (AL, AT, BE, BG, CH, CY, CZ, DE, DK, EE, ES, FI, FR, GB, GR, HR, HU, IE, IS, IT, LT, LU,

LV, MC, MK, MT, NL, NO, PL, PT, RO, RS, SE, SI, SK, SM, TR), OAPI (BF, BJ, CF, CG, CI, CM, GA, GN, GQ, GW, ML, MR, NE, SN, TD, TG).

Published:

- with international search report (Art. 21(3))
- before the expiration of the time limit for amending the claims and to be republished in the event of receipt of amendments (Rule 48.2(h))

(88) Date of publication of the international search report:
2 May 2013

INTERNATIONAL SEARCH REPORT

International application No
PCT/US2012/050128

A. CLASSIFICATION OF SUBJECT MATTER
INV. B01D29/11 C02F1/32
ADD.
According to International Patent Classification (IPC) or to both national classification and IPC

B. FIELDS SEARCHED
Minimum documentation searched (classification system followed by classification symbols)
B01D C01F C02F

Documentation searched other than minimum documentation to the extent that such documents are included in the fields searched

Electronic data base consulted during the international search (name of data base and, where practicable, search terms used)
EPO-Internal, WPI Data

C. DOCUMENTS CONSIDERED TO BE RELEVANT

Category*	Citation of document, with indication, where appropriate, of the relevant passages	Relevant to claim No.
X	FR 2 929 858 A1 (FILTRAUTO SA [FR] FILTRAUTO [FR]) 16 October 2009 (2009-10-16) the whole document -----	1-15
X	US 3 189 179 A (MCMICHAEL JOHN D) 15 June 1965 (1965-06-15) column 2, lines 34-44; figures 1-4 -----	1,2,6-12
X	FR 2 954 712 A1 (FILTRAUTO [FR]) 1 July 2011 (2011-07-01) page 11, lines 14-26 -----	1-7, 10-12,14
X	EP 1 938 880 A1 (PUROLATOR FILTERS NA LLC [US]) 2 July 2008 (2008-07-02) abstract; figures 1-10 -----	1,2,6,7

Further documents are listed in the continuation of Box C.

See patent family annex.

* Special categories of cited documents :

- "A" document defining the general state of the art which is not considered to be of particular relevance
- "E" earlier application or patent but published on or after the international filing date
- "L" document which may throw doubts on priority claim(s) or which is cited to establish the publication date of another citation or other special reason (as specified)
- "O" document referring to an oral disclosure, use, exhibition or other means
- "P" document published prior to the international filing date but later than the priority date claimed

- "T" later document published after the international filing date or priority date and not in conflict with the application but cited to understand the principle or theory underlying the invention
- "X" document of particular relevance; the claimed invention cannot be considered novel or cannot be considered to involve an inventive step when the document is taken alone
- "Y" document of particular relevance; the claimed invention cannot be considered to involve an inventive step when the document is combined with one or more other such documents, such combination being obvious to a person skilled in the art
- "&" document member of the same patent family

Date of the actual completion of the international search 26 October 2012	Date of mailing of the international search report 06/03/2013
--	--

Name and mailing address of the ISA/ European Patent Office, P.B. 5818 Patentlaan 2 NL - 2280 HV Rijswijk Tel. (+31-70) 340-2040, Fax: (+31-70) 340-3016	Authorized officer Artos Fernández, V
--	--

INTERNATIONAL SEARCH REPORT

International application No.
PCT/US2012/050128

Box No. II Observations where certain claims were found unsearchable (Continuation of item 2 of first sheet)

This international search report has not been established in respect of certain claims under Article 17(2)(a) for the following reasons:

1. Claims Nos.:
because they relate to subject matter not required to be searched by this Authority, namely:

2. Claims Nos.:
because they relate to parts of the international application that do not comply with the prescribed requirements to such an extent that no meaningful international search can be carried out, specifically:

3. Claims Nos.:
because they are dependent claims and are not drafted in accordance with the second and third sentences of Rule 6.4(a).

Box No. III Observations where unity of invention is lacking (Continuation of item 3 of first sheet)

This International Searching Authority found multiple inventions in this international application, as follows:

see additional sheet

1. As all required additional search fees were timely paid by the applicant, this international search report covers all searchable claims.

2. As all searchable claims could be searched without effort justifying an additional fees, this Authority did not invite payment of additional fees.

3. As only some of the required additional search fees were timely paid by the applicant, this international search report covers only those claims for which fees were paid, specifically claims Nos.:

4. No required additional search fees were timely paid by the applicant. Consequently, this international search report is restricted to the invention first mentioned in the claims; it is covered by claims Nos.:

1-15

Remark on Protest

- The additional search fees were accompanied by the applicant's protest and, where applicable, the payment of a protest fee.
- The additional search fees were accompanied by the applicant's protest but the applicable protest fee was not paid within the time limit specified in the invitation.
- No protest accompanied the payment of additional search fees.

FURTHER INFORMATION CONTINUED FROM PCT/ISA/ 210

This International Searching Authority found multiple (groups of) inventions in this international application, as follows:

1. claims: 1-15

a filter assembly comprising a filter, two end caps, one with an outlet hole and a central member with an inlet hole, which central member is locked to at least one end cap by a locking mechanism

1.1. claims: 1-12

a filter assembly comprising a filter, two end caps, one with an outlet hole and a central member with an inlet hole, which central member is locked to at least one end cap by a locking mechanism

1.2. claims: 13-15

a filter assembly comprising a filter and a retainer which includes a central member with a locking mechanism and an inlet hole and a two end caps one with an outlet hole, arranged to cause a direct flow or an spiral flow

2. claims: 16-20

a filter assembly comprising a filter, two end caps, one with an outlet hole and a central member with an inlet hole. In addition, an end cap includes a shroud and, a UV lamp is positioned within the central member

INTERNATIONAL SEARCH REPORT

Information on patent family members

International application No PCT/US2012/050128

Patent document cited in search report	Publication date	Patent family member(s)	Publication date
FR 2929858	A1	16-10-2009	NONE
US 3189179	A	15-06-1965	GB 1013770 A 22-12-1965
			US 3189179 A 15-06-1965
FR 2954712	A1	01-07-2011	EP 2353691 A1 10-08-2011
			FR 2954712 A1 01-07-2011
EP 1938880	A1	02-07-2008	BR PI0704511 A 12-08-2008
			CA 2613024 A1 18-06-2008
			CN 101229454 A 30-07-2008
			EP 1938880 A1 02-07-2008
			JP 2008149319 A 03-07-2008
			US 2008142427 A1 19-06-2008