



US00D632969S

(12) **United States Design Patent**
Monteparo et al.

(10) **Patent No.:** **US D632,969 S**

(45) **Date of Patent:** **** Feb. 22, 2011**

(54) **BOTTLE**

(75) Inventors: **Sandra Monteparo**, Brooklyn, NY (US); **Sunnie Guglielmo**, Long Island City, NY (US); **Christine McKee**, New York, NY (US)

(73) Assignee: **Victoria's Secret Stores Brand Management, Inc.**, Reynoldsburg, OH (US)

(**) **Term:** **14 Years**

(21) **Appl. No.:** **29/349,618**

(22) **Filed:** **Apr. 16, 2010**

(51) **LOC (9) Cl.** **09-01**

(52) **U.S. Cl.** **D9/544**; D9/559; D9/567; D9/573; D9/575; D9/444

(58) **Field of Classification Search** D9/439, D9/44, 441, 541, 544, 546, 559-560, 566, D9/567-568, 572-575, 682, 694; D7/598; D28/91.1; 215/355, 382; 220/660, 662, 220/669

See application file for complete search history.

(56) **References Cited**

U.S. PATENT DOCUMENTS

| | | | |
|--------------|---------|------------------|--------|
| D71,782 S | 1/1927 | Delaize | |
| D86,566 S | 3/1932 | Gibson | |
| D94,153 S | 12/1934 | Levine | |
| D98,382 S * | 1/1936 | Barbiers | D9/563 |
| D120,147 S * | 4/1940 | Steuer | D9/568 |
| D123,204 S * | 10/1940 | Carey | D9/566 |
| D143,657 S | 1/1946 | Graham | |
| D194,809 S | 3/1963 | Du Pree | |
| D211,625 S * | 7/1968 | Du Pree | D7/300 |
| D247,282 S * | 2/1978 | Zimmermann | D9/521 |
| D278,410 S * | 4/1985 | Matsubara et al. | D9/563 |
| D278,515 S | 4/1985 | Adams et al. | |
| D285,054 S * | 8/1986 | Stones | D9/542 |

| | | | |
|--------------|---------|-----------------|--------|
| D333,269 S | 2/1993 | Albright et al. | |
| D366,620 S * | 1/1996 | Kuzma et al. | D9/542 |
| D420,596 S * | 2/2000 | Maddy | D9/560 |
| D444,071 S | 6/2001 | Mansau | |
| D526,567 S | 8/2006 | Dalton | |
| D530,211 S | 10/2006 | Lloyd | |
| D531,911 S | 11/2006 | Lloyd | |
| D574,257 S * | 8/2008 | Zeidan | D9/694 |
| D610,916 S * | 3/2010 | Yeung et al. | D9/694 |
| D612,259 S | 3/2010 | Legros | |
| D620,804 S * | 8/2010 | Bogert et al. | D9/544 |

OTHER PUBLICATIONS

Trademark Registration No. 1,070,454, by Shower Mate Corporation, Registered on Jul. 26, 1977.

* cited by examiner

Primary Examiner—Charles A Rademaker

Assistant Examiner—Dana L Sipos

(74) *Attorney, Agent, or Firm*—Ward & Olivo

(57) **CLAIM**

The ornamental design for a bottle, as shown and described.

DESCRIPTION

FIG. 1 is a perspective view of a bottle;

FIG. 2 is a front view thereof;

FIG. 3 is a rear view thereof;

FIG. 4 is a right side view thereof, the left side being a mirror image thereof;

FIG. 5 is a top view thereof; and,

FIG. 6 is a bottom view thereof.

The stripes applied to the rear of the bottle represent opaque contrast on the rear sidewall surfaces.

The broken lines shown in the figures are for illustrative purposes only and form no part of the claimed design.

1 Claim, 4 Drawing Sheets

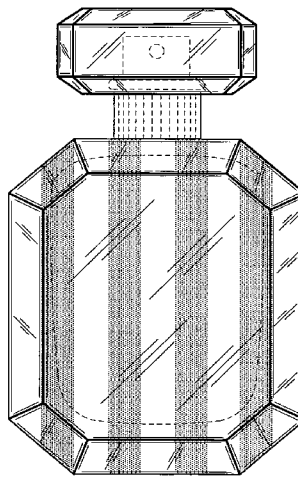
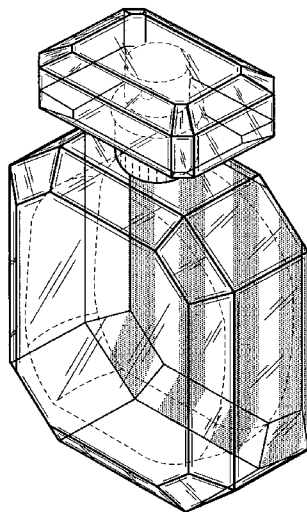


FIG. 1

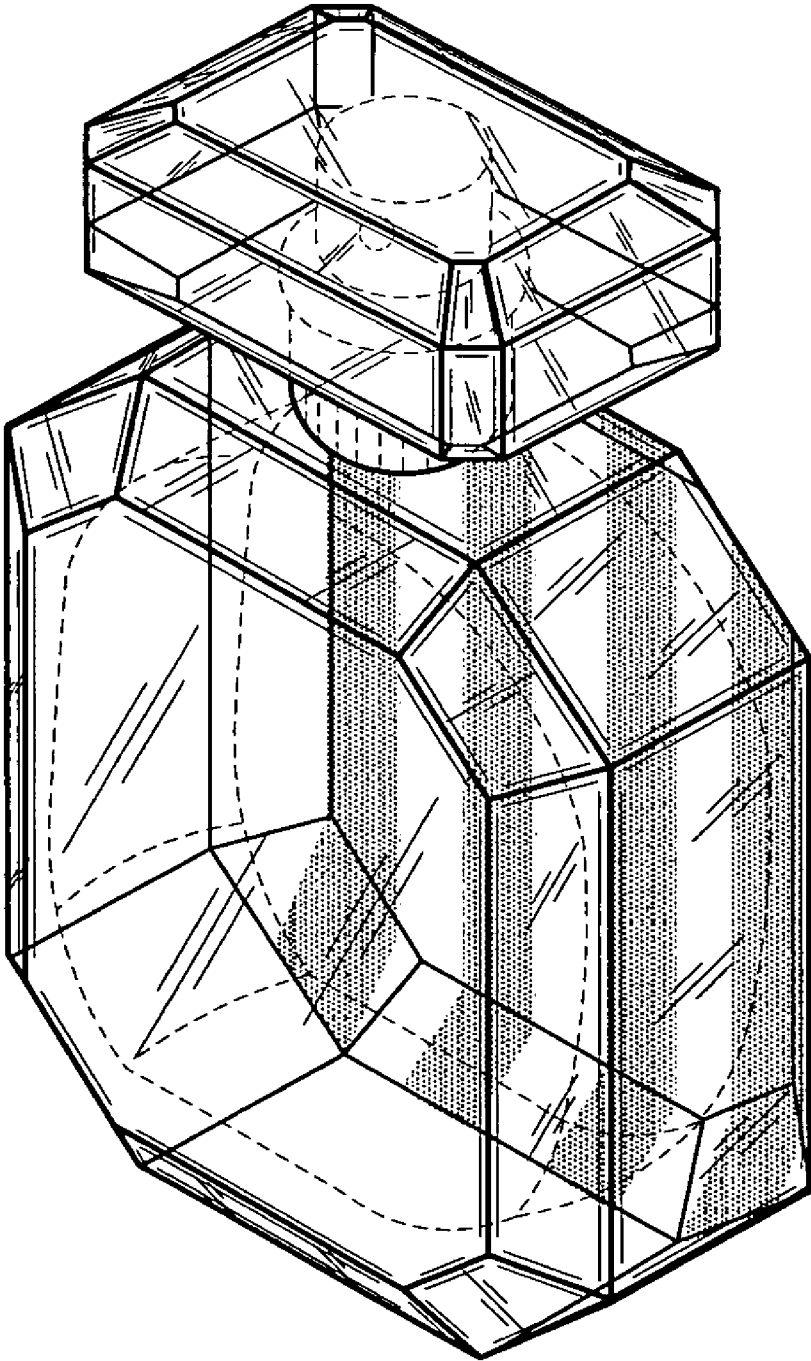


FIG. 2

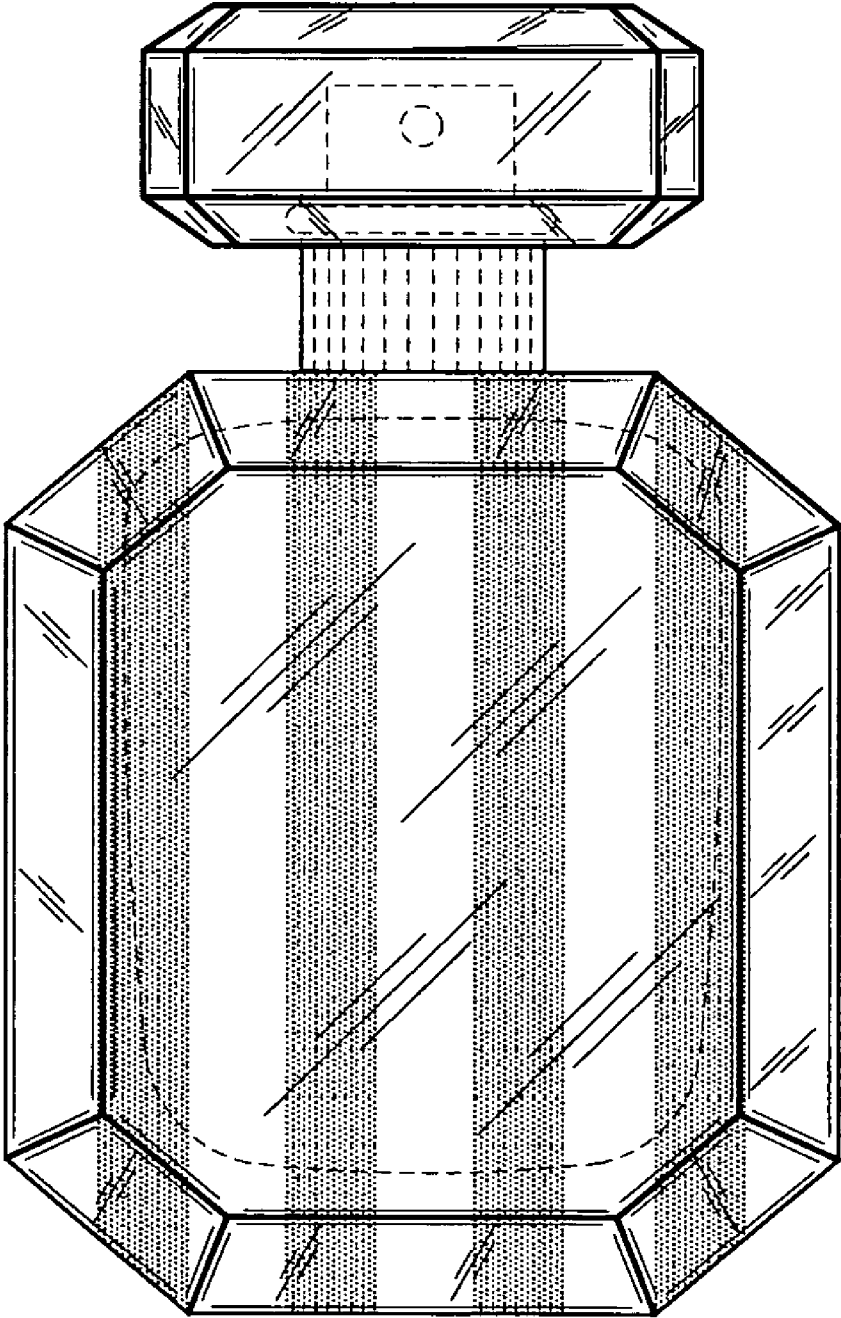


FIG. 3

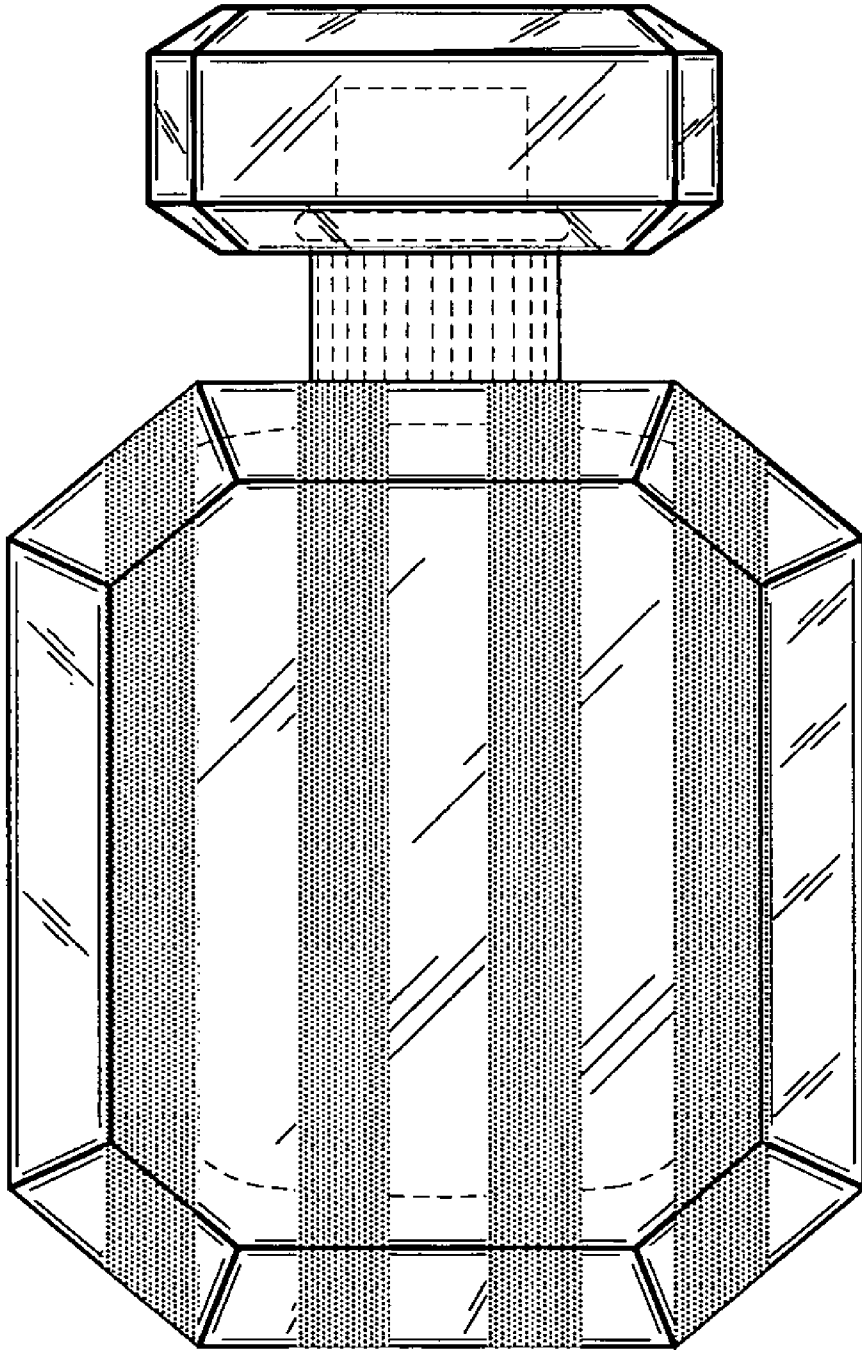


FIG. 4

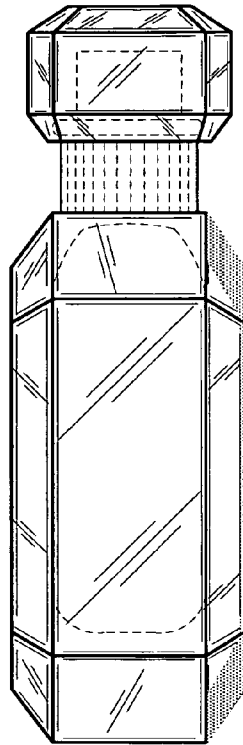


FIG. 5

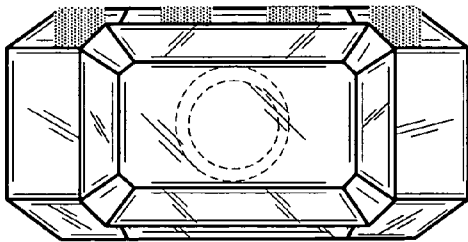


FIG. 6

