



US00RE49916E

(19) **United States**
(12) **Reissued Patent**
Pinghua

(10) **Patent Number:** **US RE49,916 E**
(45) **Date of Reissued Patent:** **Apr. 16, 2024**

(54) **THREE WHEEL ROLLATOR**

OTHER PUBLICATIONS

(71) Applicant: **Drive DeVilbiss Healthcare**, Port Washington, NY (US)

RedGumBrand Daily Living and Lifestyle Products; "Tri Walker" RG4402; Jan. 2020 User Manual.

(Continued)

(72) Inventor: **Shi Pinghua**, Jiangyin (CN)

Primary Examiner — Philip S Hyder

(73) Assignee: **Drive DeVilbiss Healthcare**, Port Washington, NY (US)

(74) *Attorney, Agent, or Firm* — Bradley J. Shelowitz

(21) Appl. No.: **29/897,204**

(57) **CLAIM**

The ornamental design for a three wheel rollator, as shown and described.

(22) Filed: **Jul. 12, 2023**

DESCRIPTION

Related U.S. Patent Documents

Reissue of:

(64) Patent No.: **Des. 943,464**
Issued: **Feb. 15, 2022**
Appl. No.: **29/764,200**
Filed: **Dec. 29, 2020**

[FIG. 1 is a front, perspective view of a three wheel rollator in accordance with the present design;]

[FIG. 2 is a front view thereof;]

[FIG. 3 is a rear view thereof;]

[FIG. 4 is a right side view thereof;]

[FIG. 5 is a left side view thereof;]

[FIG. 6 is a top view thereof; and,]

[FIG. 7 is a bottom view thereof.]

(51) **LOC (14) Cl.** **12-12**

(52) **U.S. Cl.**
USPC **D12/130**

(58) **Field of Classification Search**
USPC D12/128, 129, 130, 131, 132, 133
(Continued)

FIG. 8 is a front, perspective view of a three wheel rollator in accordance with the present design;

FIG. 9 is a front view thereof;

FIG. 10 is a rear view thereof;

FIG. 11 is a right side view thereof;

FIG. 12 is a left side view thereof;

FIG. 13 is a top view thereof; and,

FIG. 14 is a bottom view thereof.

(56) **References Cited**

U.S. PATENT DOCUMENTS

2,843,180 A * 7/1958 Schwartz A61H 3/04
482/68
D281,771 S * 12/1985 Webb D12/130
(Continued)

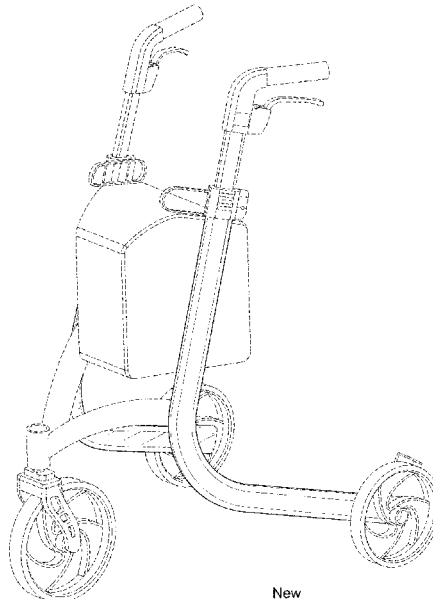
The broken lines shown in the drawings illustrate portions of the three wheel rollator that form no part of the claimed design.

1 Claim, 14 Drawing Sheets

FOREIGN PATENT DOCUMENTS

FR 2737993 A1 2/1997
GN 305522550 S 12/2019
(Continued)

Matter enclosed in heavy brackets [] appears in the original patent but forms no part of this reissue; matter printed in italics indicates the additions made by reissue.



New

(58) **Field of Classification Search**

CPC A61H 3/00; A61H 3/04; A61H 2003/001;
 A61H 2003/002; A61H 2003/003; A61H
 2003/004; A61H 2003/005; A61H
 2003/006; A61H 2003/007; A61H
 2003/043; A61H 2003/046

See application file for complete search history.

(56)

References Cited

U.S. PATENT DOCUMENTS

5,020,560 A 6/1991 Turbeville
 6,070,603 A * 6/2000 Politz A61H 3/04
 135/65
 6,296,263 B1 * 10/2001 Schultz A61H 3/04
 135/67
 7,243,666 B2 7/2007 Carroll
 7,708,120 B2 * 5/2010 Einbinder A61H 3/04
 188/31
 8,881,852 B2 * 11/2014 Kim A61H 3/04
 180/65.1
 D819,503 S * 6/2018 Huang D12/130
 D836,499 S * 12/2018 Delatorre D12/130
 D837,697 S * 1/2019 Luo D12/130
 10,470,966 B1 * 11/2019 Smith Swerdlow A61H 3/04
 10,639,226 B1 * 5/2020 Keyes A61H 3/04
 D897,243 S * 9/2020 Tsai D12/130
 D941,193 S * 1/2022 Cheng D12/130
 2009/0045021 A1 * 2/2009 Einbinder F16C 1/10
 188/2 D
 2010/0140893 A1 * 6/2010 Menefee A61H 3/04
 280/87.041

2012/0187661 A1 * 7/2012 Kim A61H 3/04
 280/650
 2013/0062848 A1 * 3/2013 Huang A61G 5/0891
 280/87.021
 2015/0173994 A1 * 6/2015 Chen A61H 3/00
 280/639
 2015/0351994 A1 * 12/2015 Nicholson A61H 3/04
 280/639
 2019/0029915 A1 * 1/2019 Brockway A61H 3/04
 2019/0105220 A1 * 4/2019 Pan A61H 1/00
 2019/0105221 A1 * 4/2019 Pan A61G 5/08
 2019/0105222 A1 * 4/2019 Fellingham A61H 1/00
 2020/0155408 A1 * 5/2020 Fathi A61H 1/00
 2020/0261300 A1 * 8/2020 Kousik A61H 3/0244
 2020/0315901 A1 * 10/2020 Fellingham A61H 3/04
 2020/0352816 A1 * 11/2020 Lu A61H 3/04
 2021/0361517 A1 * 11/2021 Reuveni A61H 3/04
 2021/0393471 A1 * 12/2021 Munton A61H 3/04
 2022/0211568 A1 * 7/2022 AlGhazi A61B 5/1117

FOREIGN PATENT DOCUMENTS

KR 10-2013-0107495 10/2013
 WO 2003/086264 A1 10/2003

OTHER PUBLICATIONS

Drive Medical Nitro 3, Published Mar. 5, 2021 [online], [retrieved on Dec. 4, 2021]. Retrieved from the Internet: <https://www.amazon.com/Drive-Medical-Euro-Style-Rollator-Walker/dp/B08YG5JTMP> (Year: 2021).*

* cited by examiner

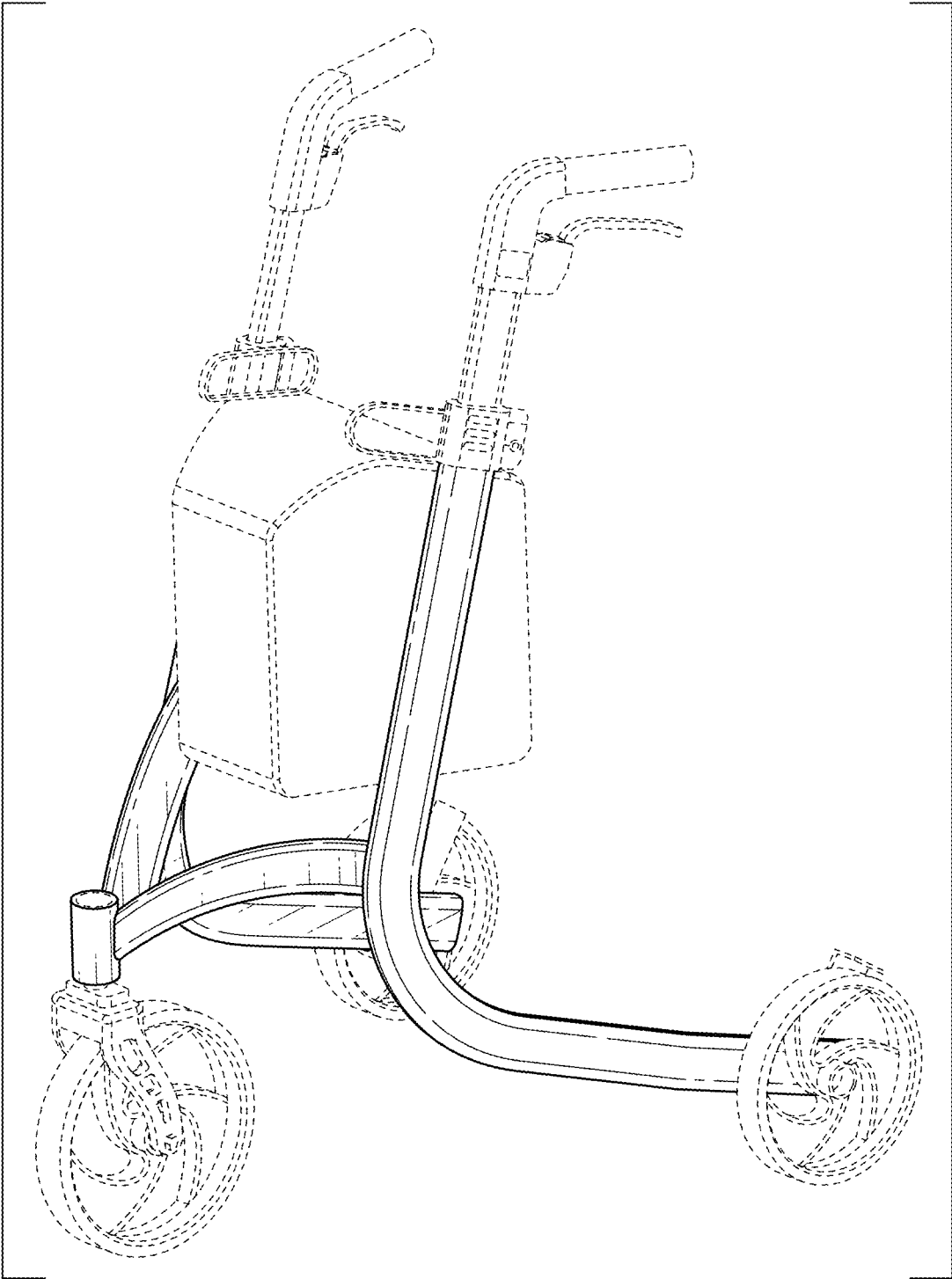


FIG. 1 CANCELLED

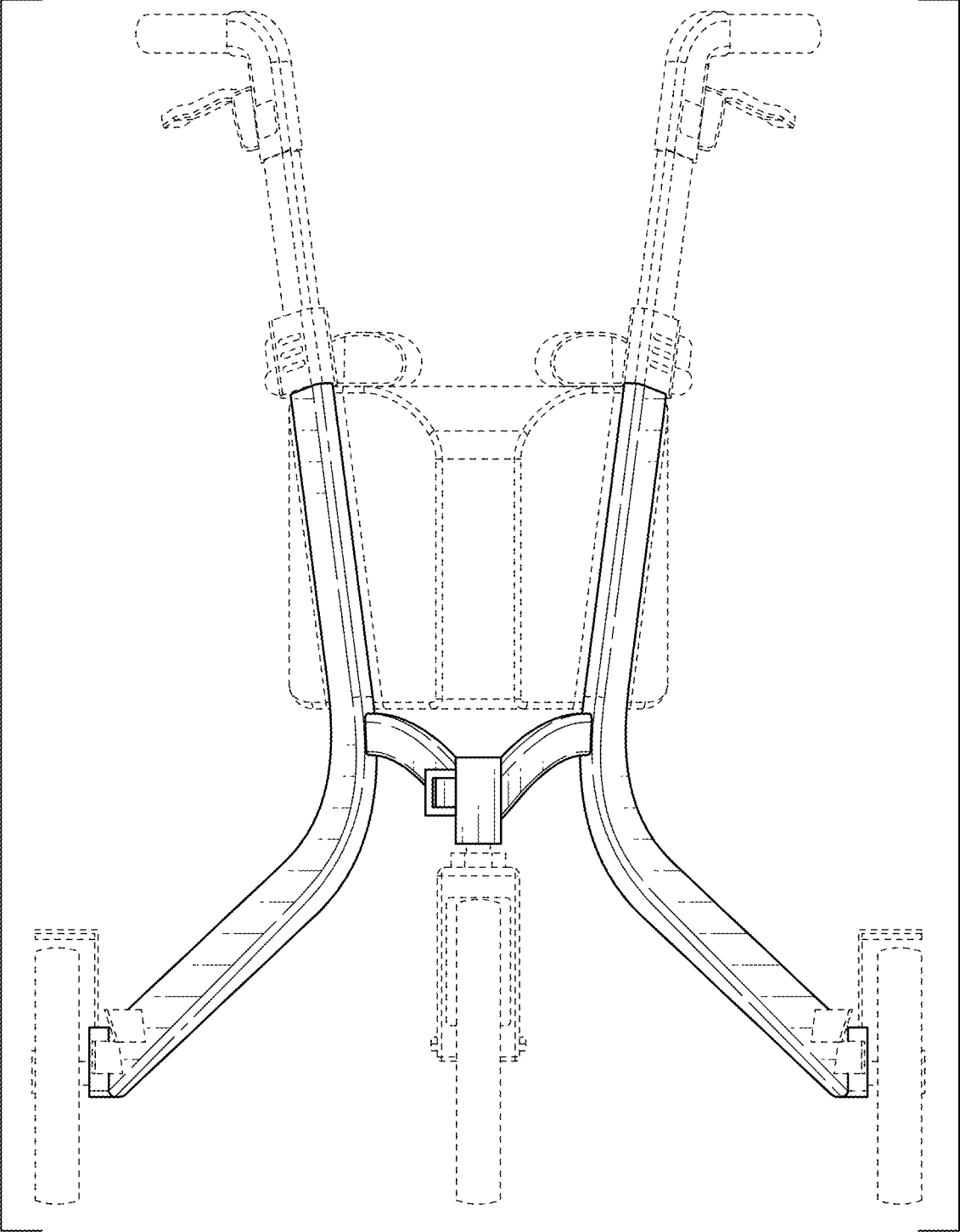


FIG. 2 CANCELLED

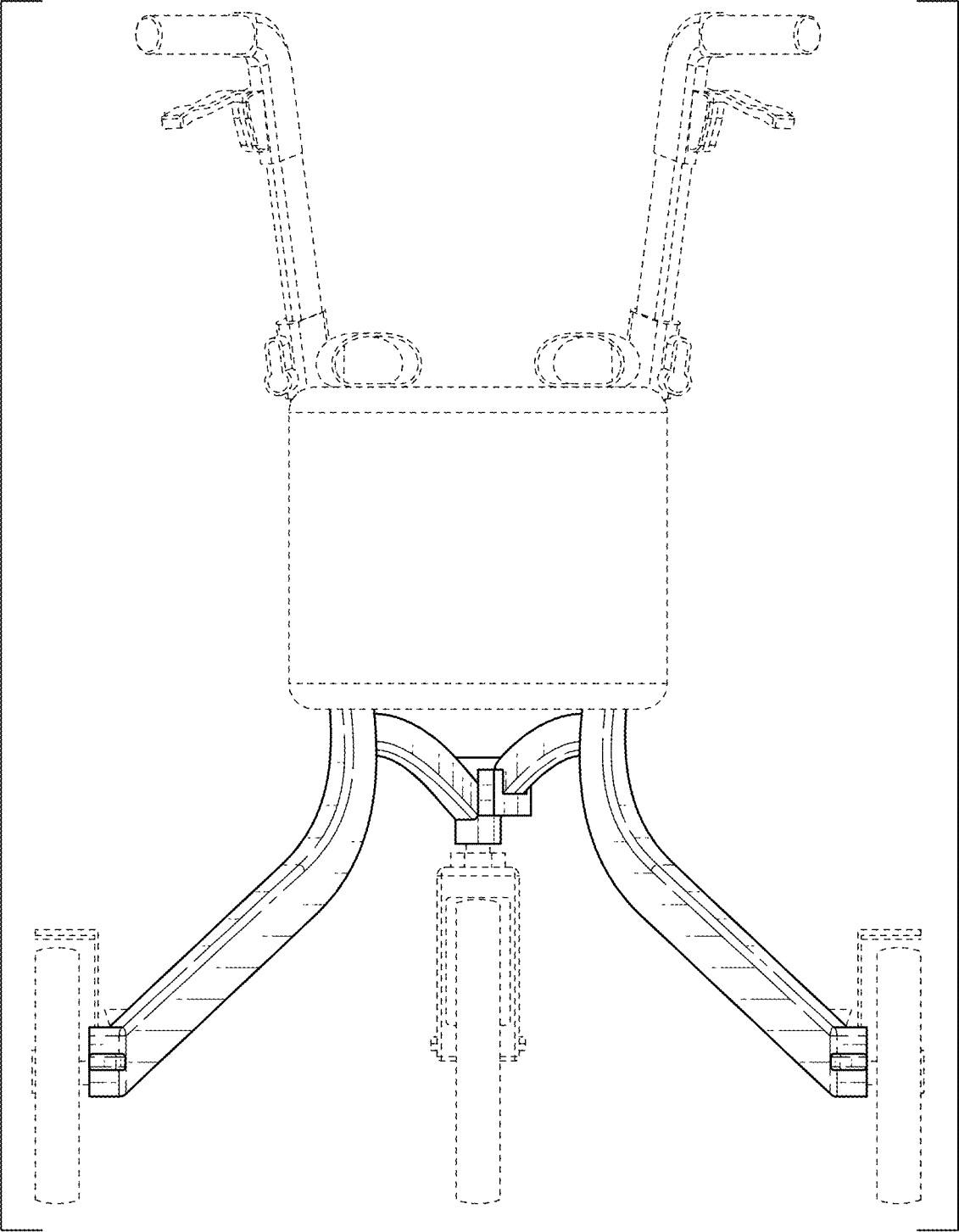


FIG. 3 CANCELLED

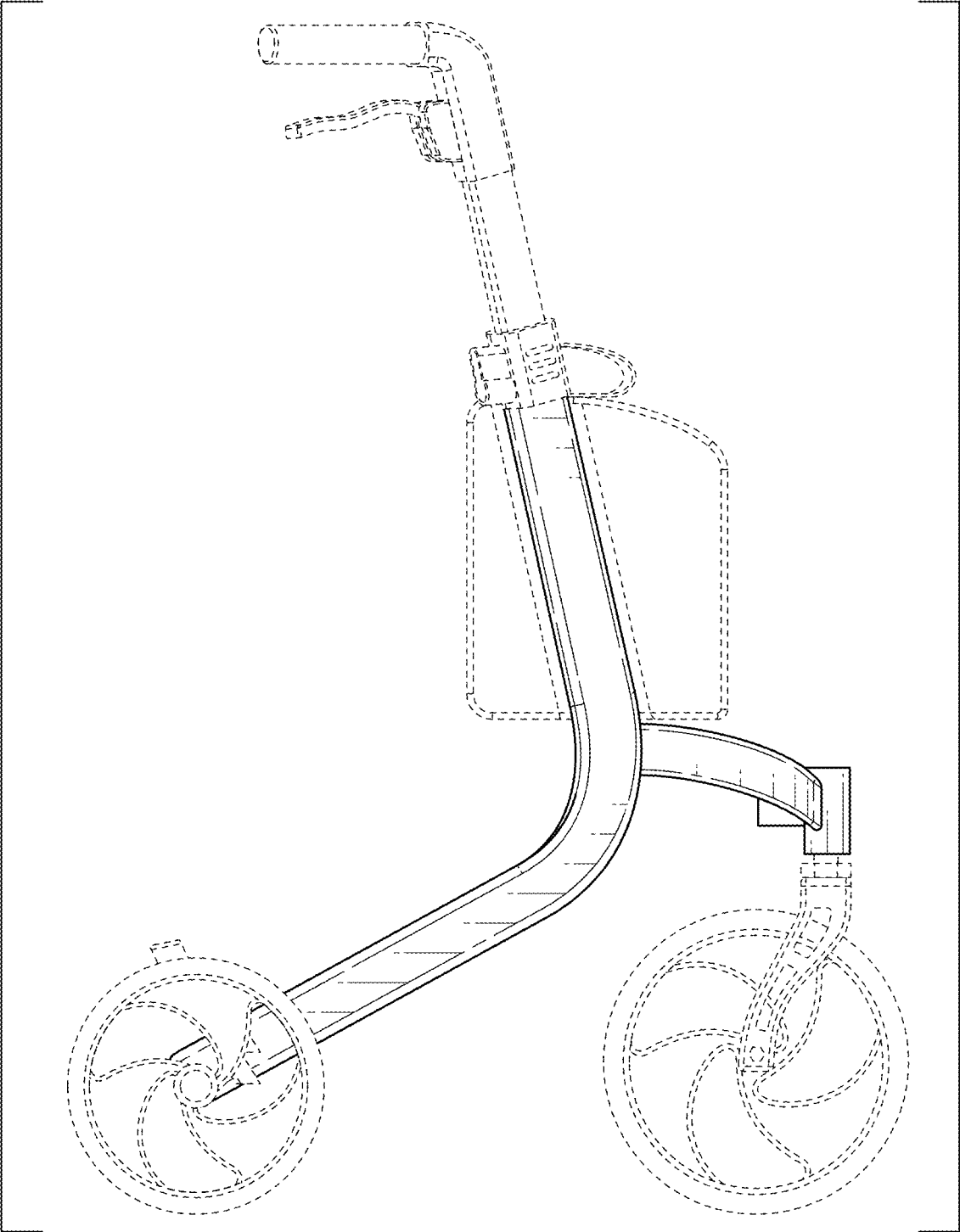


FIG. 4 CANCELLED

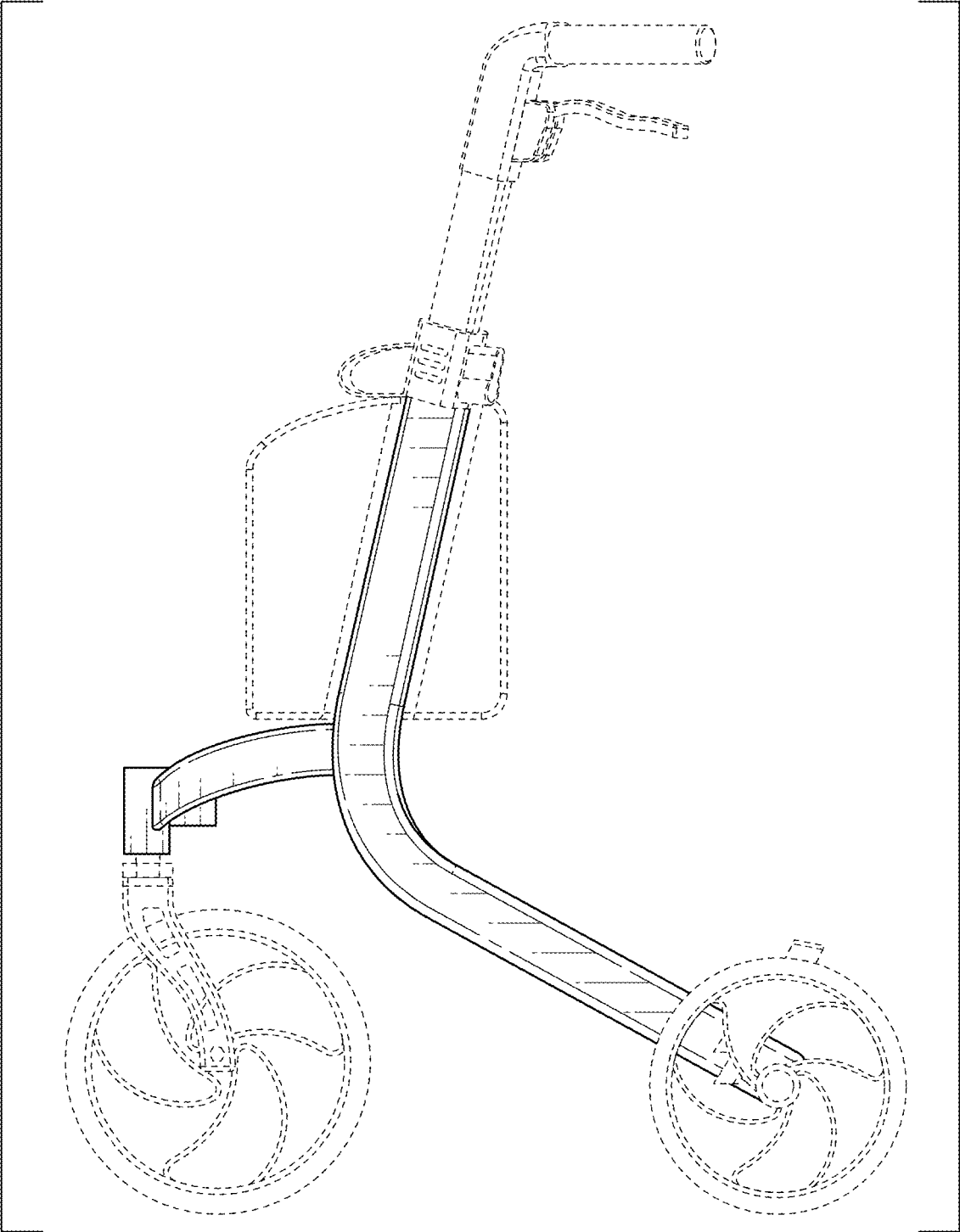


FIG. 5 CANCELLED

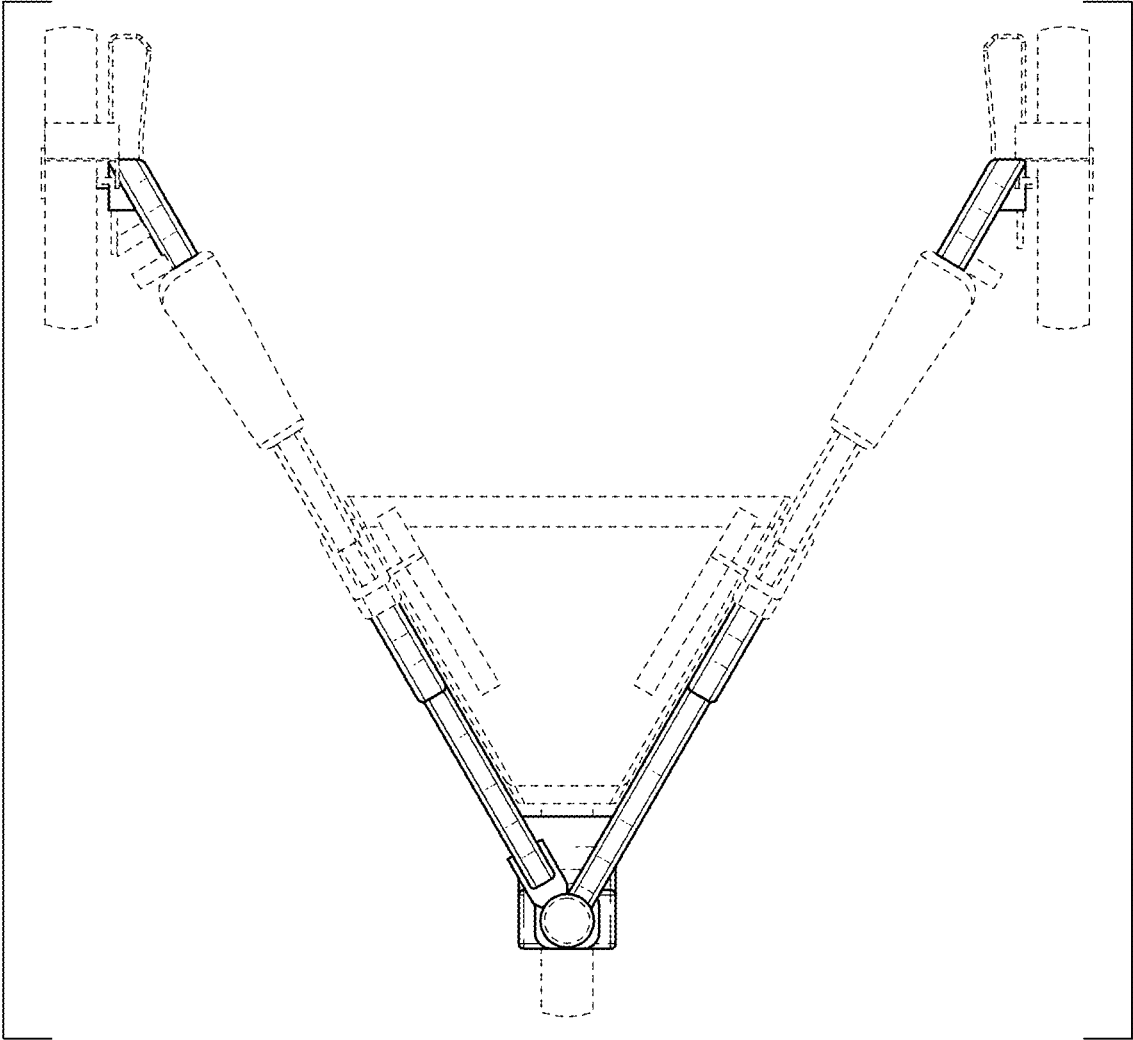


FIG. 6 CANCELLED

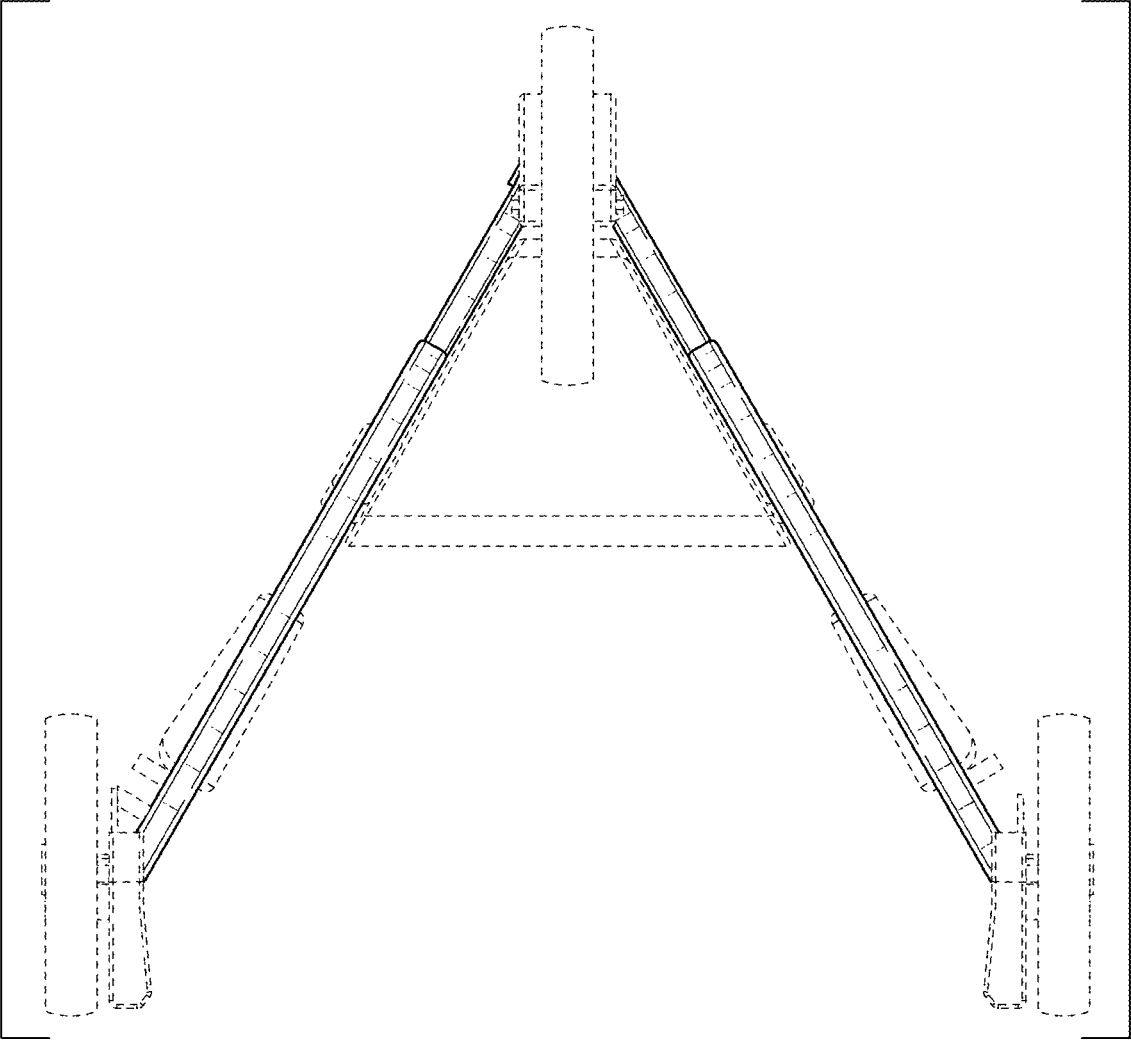


FIG. 7 CANCELLED

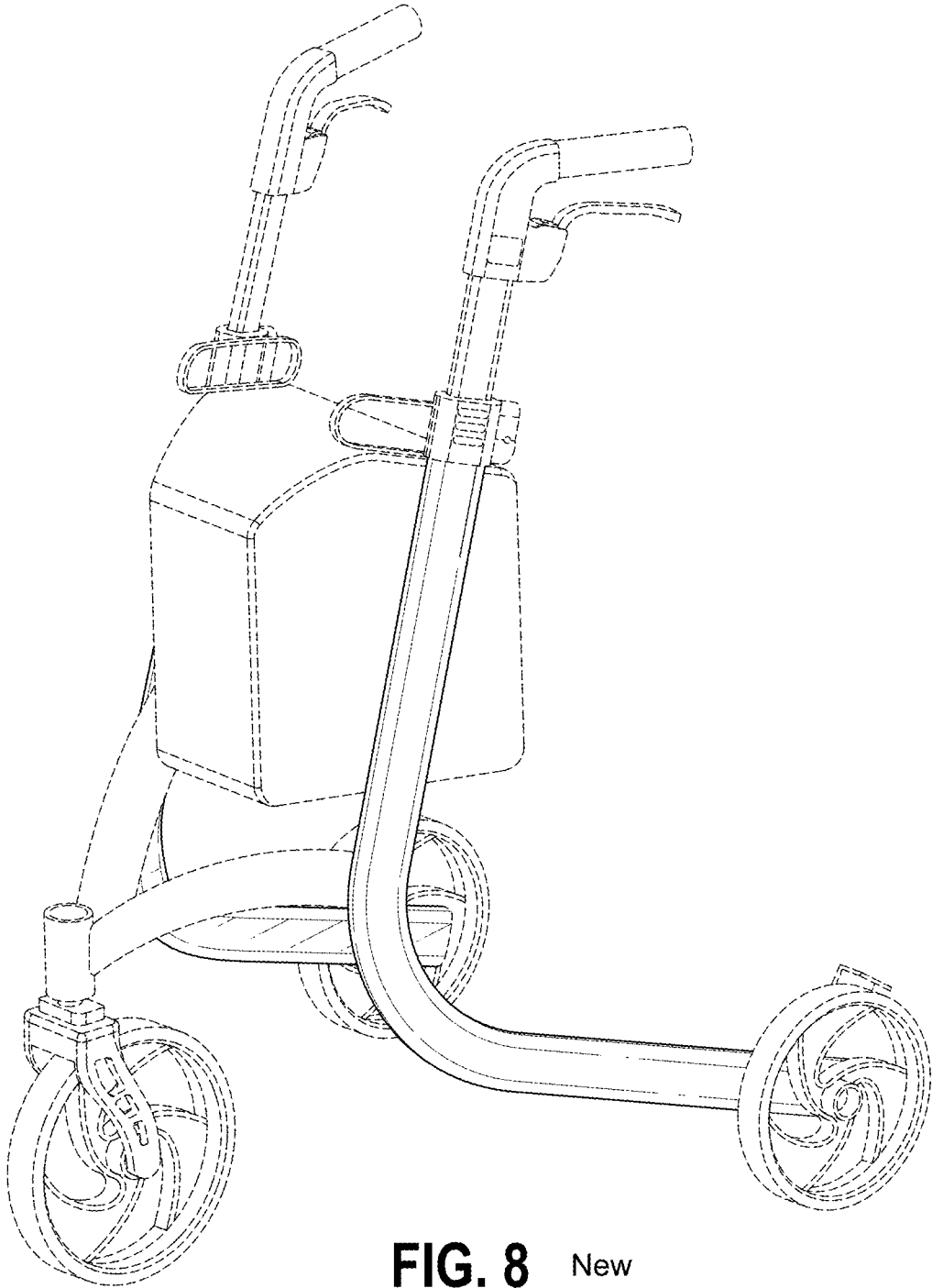


FIG. 8 New

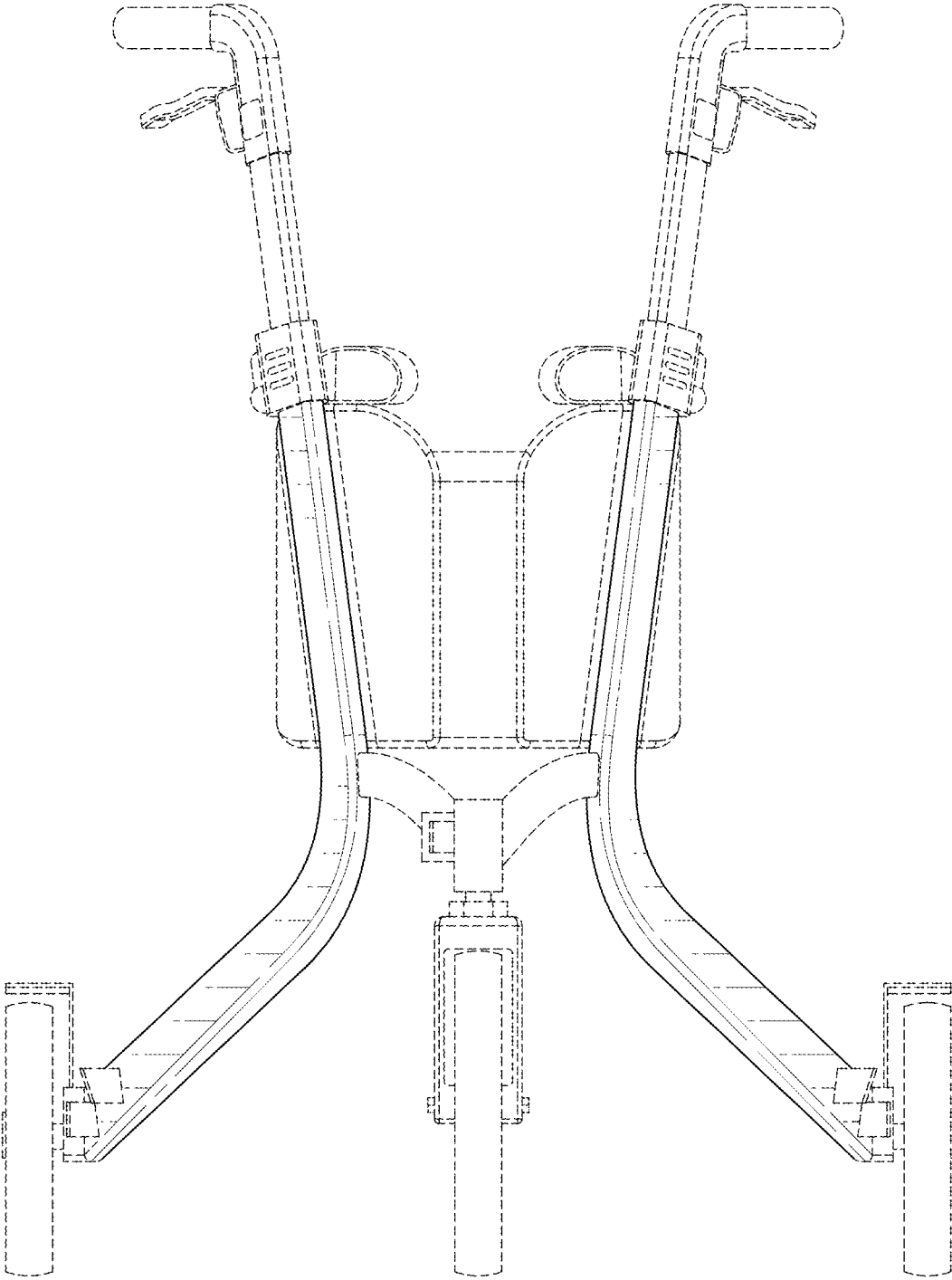


FIG. 9 New

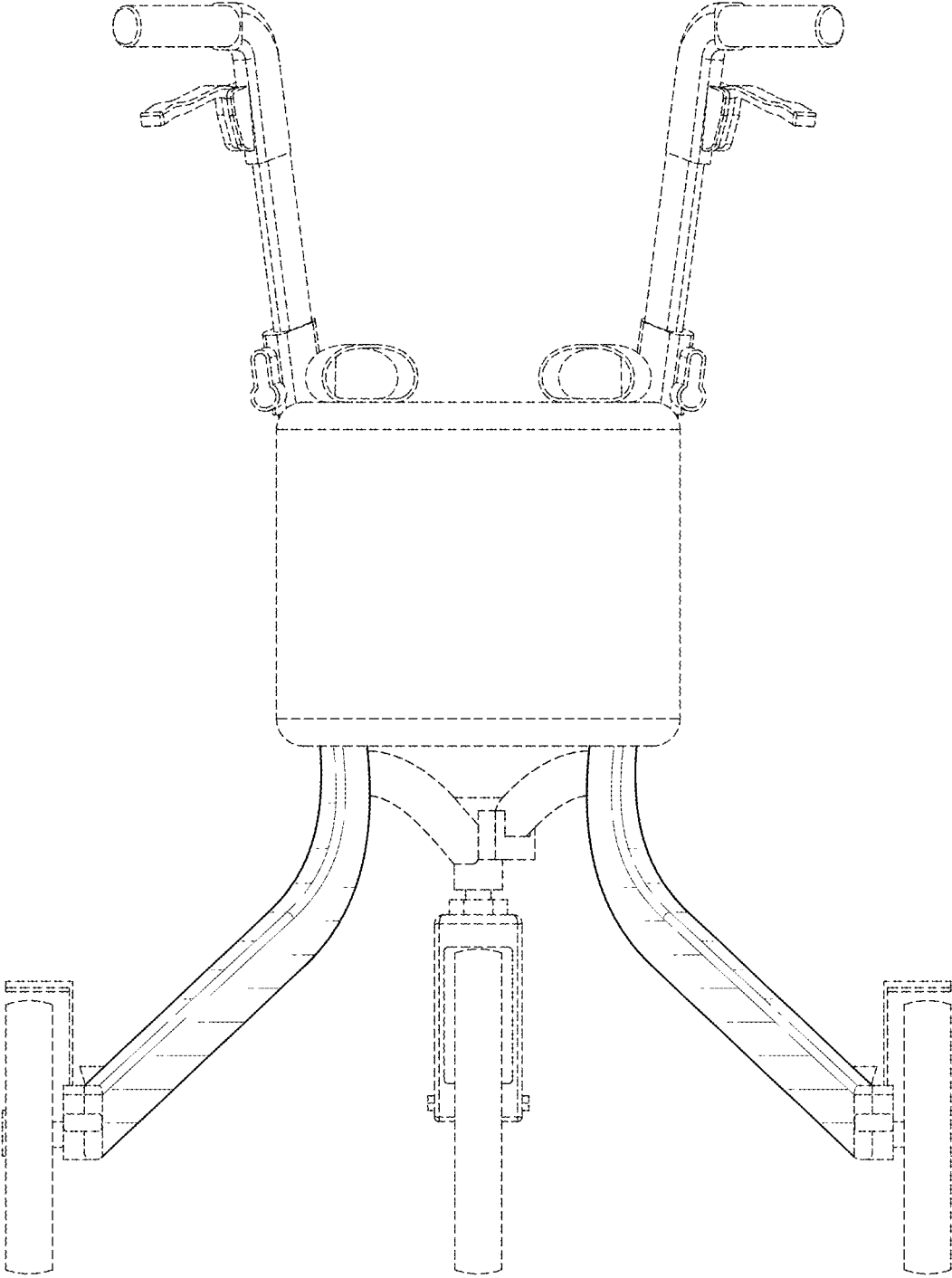


FIG. 10 New

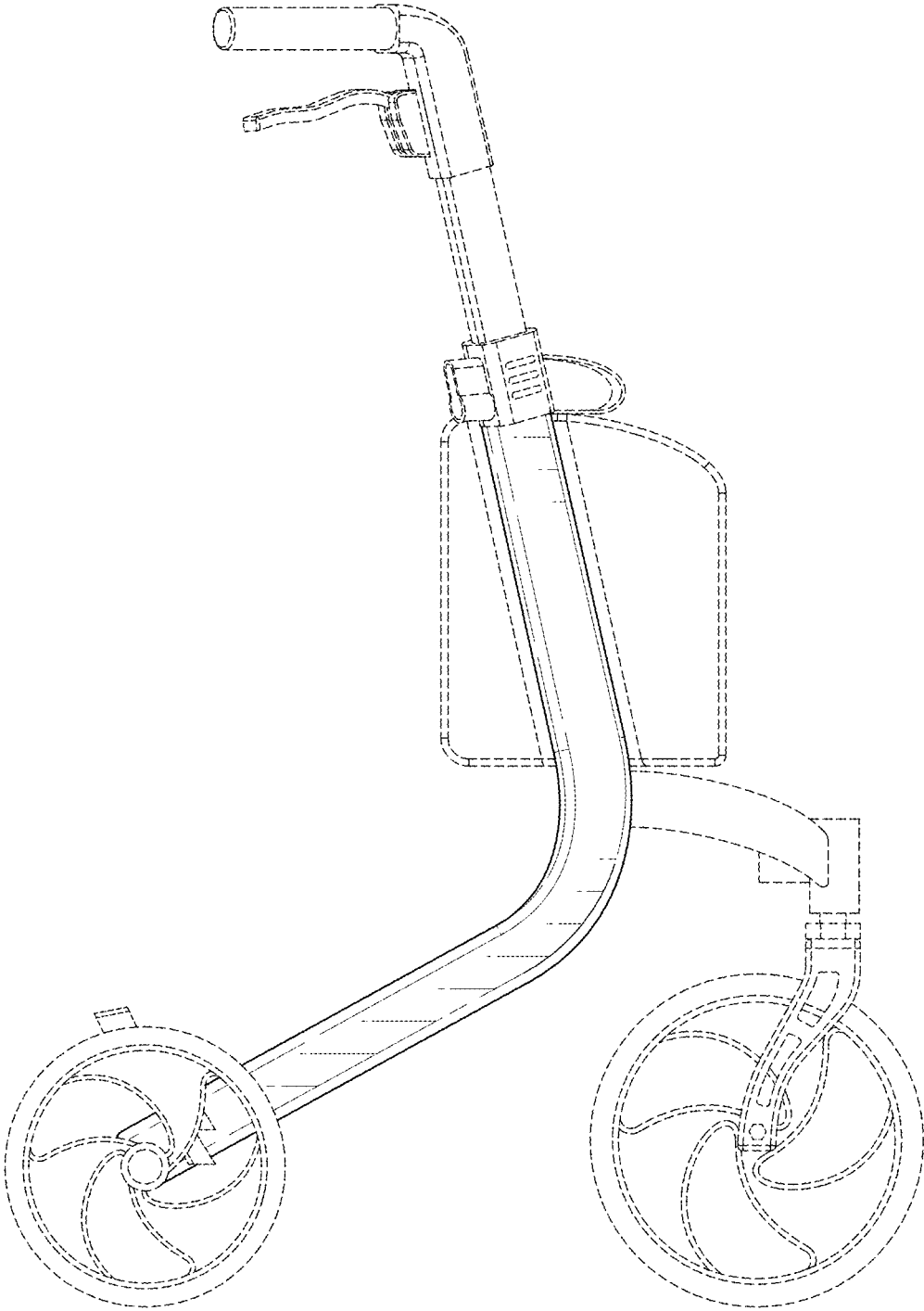


FIG. 11 New

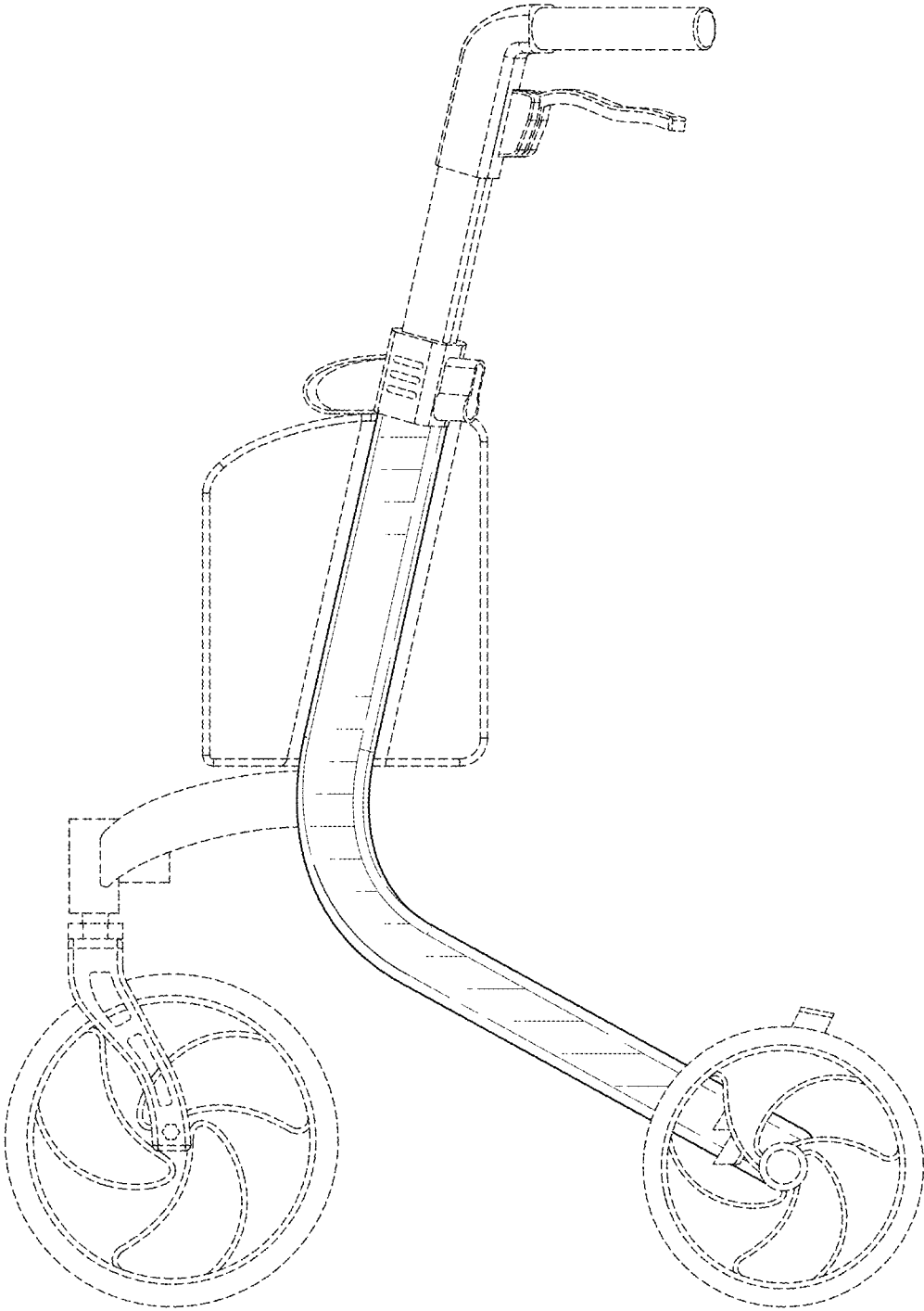


FIG. 12 New

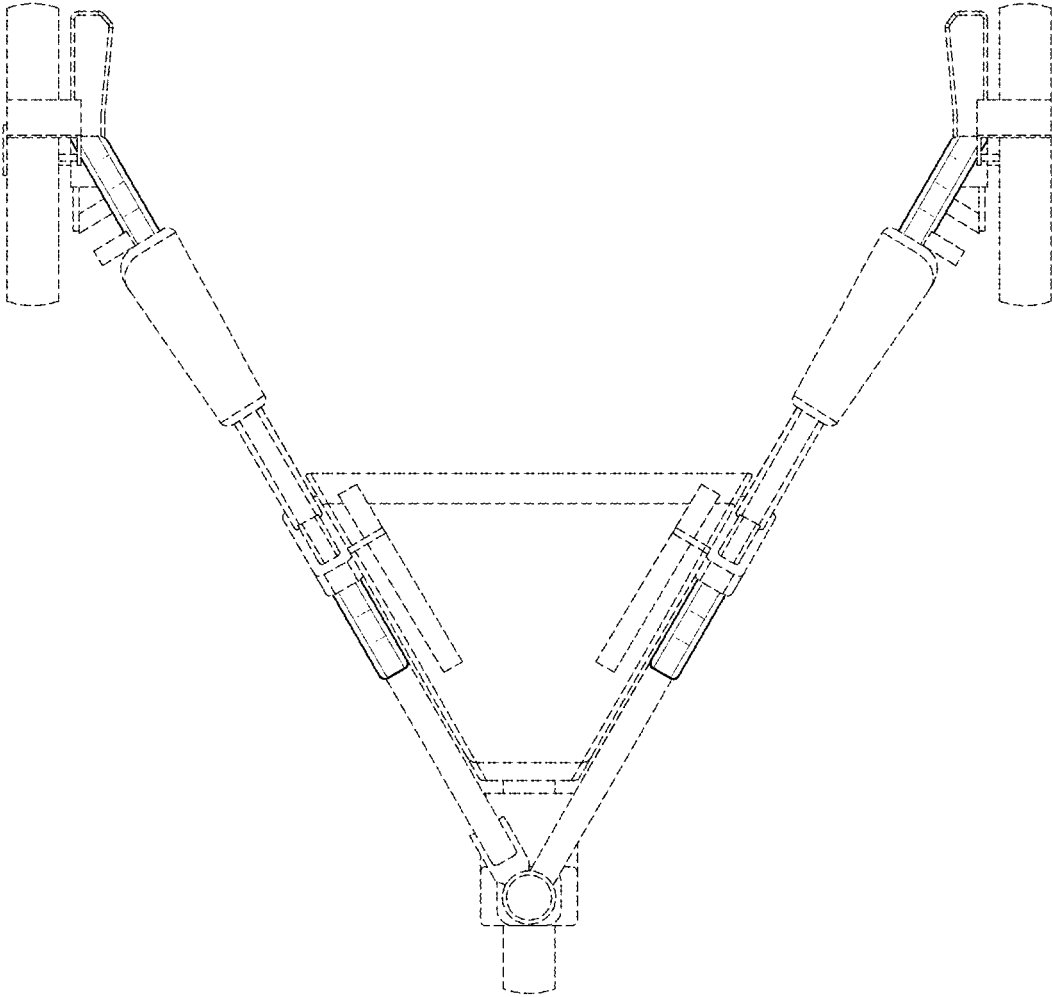


FIG. 13 New

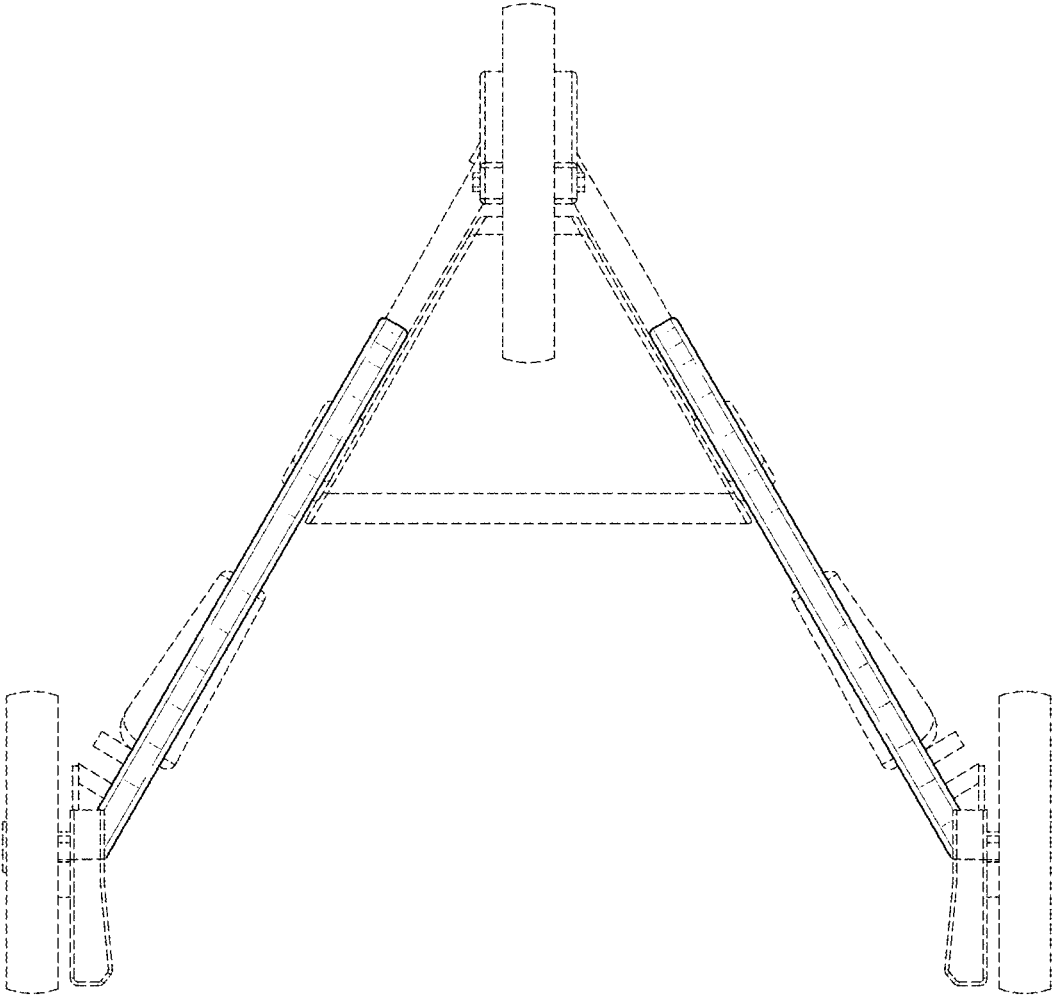


FIG. 14 New