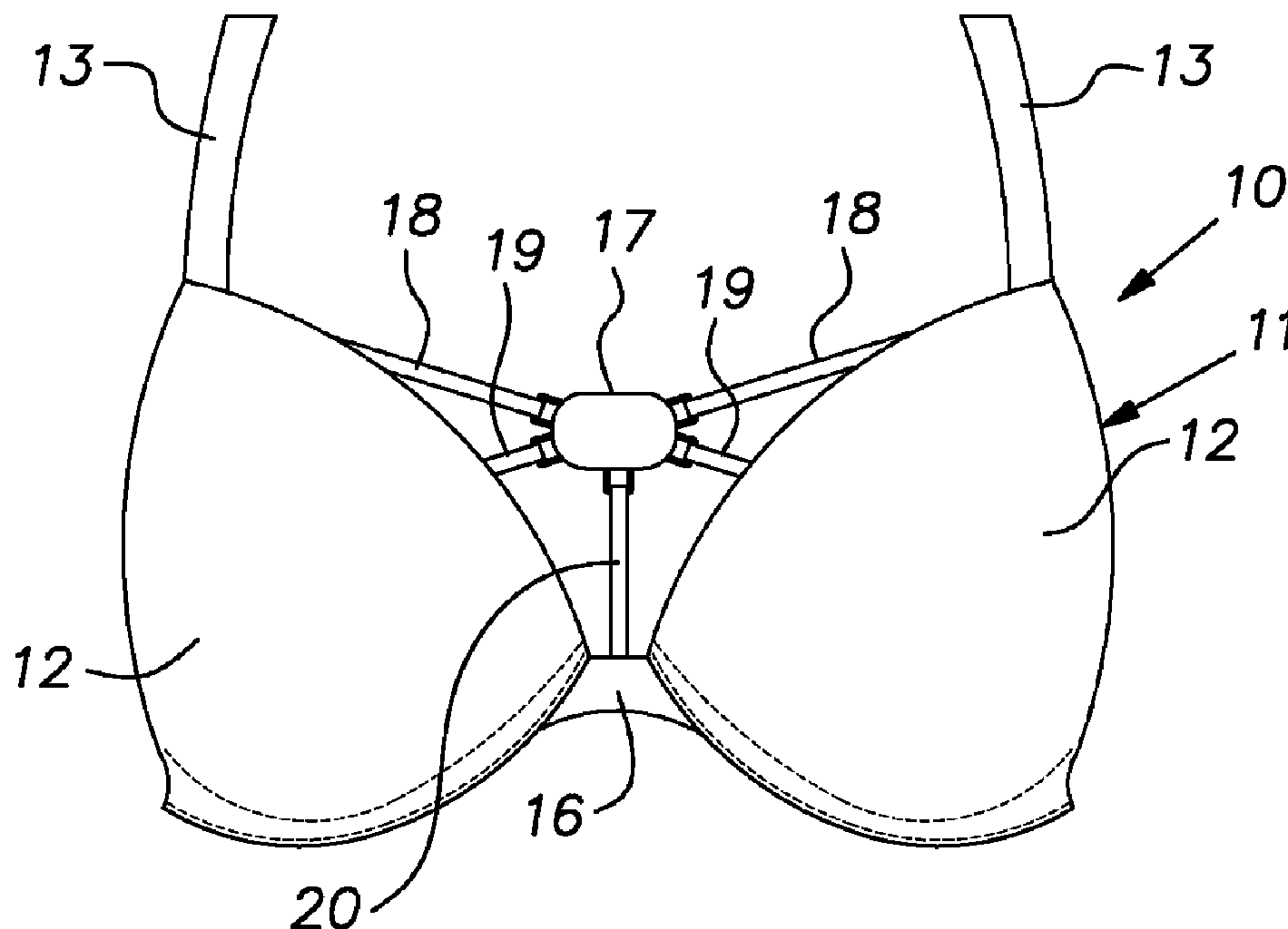




(86) Date de dépôt PCT/PCT Filing Date: 2015/01/15
 (87) Date publication PCT/PCT Publication Date: 2015/08/06
 (45) Date de délivrance/Issue Date: 2016/11/01
 (85) Entrée phase nationale/National Entry: 2016/07/13
 (86) N° demande PCT/PCT Application No.: US 2015/011492
 (87) N° publication PCT/PCT Publication No.: 2015/116391
 (30) Priorité/Priority: 2014/01/28 (US14/166,026)

(51) Cl.Int./Int.Cl. *A41C 3/12* (2006.01)
 (72) Inventeur/Inventor:
 BUESCHER, TRACY, US
 (73) Propriétaire/Owner:
 BUESCHER, TRACY, US
 (74) Agent: GOWLING WLG (CANADA) LLP

(54) Titre : ACCESSOIRE DE SOUTIEN-GORGE
 (54) Title: BRASSIERE ACCESSORY



(57) Abrégé/Abstract:

A brassiere and a decorative element having a relatively flat configuration, a set of suspension straps symmetrically arranged about a vertical plane between the brassiere cups serving to locate the decorative element symmetrically about the vertical plane above, and free of contact with a bridge between the cups, the suspension straps on each side of the decorative element including a first suspension strap attached to a mid-section of an associated cup and to an adjacent side edge of the decorative element and a second suspension strap spaced above the first suspension strap and attached to said adjacent side edge of the decorative element, the first and second suspension straps being arranged to maintain a face of the decorative element facing in a direction to which said cups project.

(12) INTERNATIONAL APPLICATION PUBLISHED UNDER THE PATENT COOPERATION TREATY (PCT)

(19) World Intellectual Property
Organization
International Bureau(10) International Publication Number
WO 2015/116391 A1(43) International Publication Date
6 August 2015 (06.08.2015)(51) International Patent Classification:
A41C 3/12 (2006.01)(21) International Application Number:
PCT/US2015/011492(22) International Filing Date:
15 January 2015 (15.01.2015)

(25) Filing Language: English

(26) Publication Language: English

(30) Priority Data:
14/166,026 28 January 2014 (28.01.2014) US

(72) Inventor; and

(71) Applicant : BUESCHER, Tracy [US/US]; 1150 Fifth Avenue, Penthouse B, New York, NY 10128 (US).

(74) Agents: SHIMOLA, Howard, G. et al.; Pearne & Gordon LLP, 1801 East 9th Street, Suite 1200, Cleveland, OH 44114-3108 (US).

(81) Designated States (unless otherwise indicated, for every kind of national protection available): AE, AG, AL, AM, AO, AT, AU, AZ, BA, BB, BG, BH, BN, BR, BW, BY, BZ, CA, CH, CL, CN, CO, CR, CU, CZ, DE, DK, DM,

DO, DZ, EC, EE, EG, ES, FI, GB, GD, GE, GH, GM, GT, HN, HR, HU, ID, IL, IN, IR, IS, JP, KE, KG, KN, KP, KR, KZ, LA, LC, LK, LR, LS, LU, LY, MA, MD, ME, MG, MK, MN, MW, MX, MY, MZ, NA, NG, NI, NO, NZ, OM, PA, PE, PG, PH, PL, PT, QA, RO, RS, RU, RW, SA, SC, SD, SE, SG, SK, SL, SM, ST, SV, SY, TH, TJ, TM, TN, TR, TT, TZ, UA, UG, US, UZ, VC, VN, ZA, ZM, ZW.

(84) Designated States (unless otherwise indicated, for every kind of regional protection available): ARIPO (BW, GH, GM, KE, LR, LS, MW, MZ, NA, RW, SD, SL, ST, SZ, TZ, UG, ZM, ZW), Eurasian (AM, AZ, BY, KG, KZ, RU, TJ, TM), European (AL, AT, BE, BG, CH, CY, CZ, DE, DK, EE, ES, FI, FR, GB, GR, HR, HU, IE, IS, IT, LT, LU, LV, MC, MK, MT, NL, NO, PL, PT, RO, RS, SE, SI, SK, SM, TR), OAPI (BF, BJ, CF, CG, CI, CM, GA, GN, GQ, GW, KM, ML, MR, NE, SN, TD, TG).

Published:

- with international search report (Art. 21(3))
- before the expiration of the time limit for amending the claims and to be republished in the event of receipt of amendments (Rule 48.2(h))

(54) Title: BRASSIERE ACCESSORY

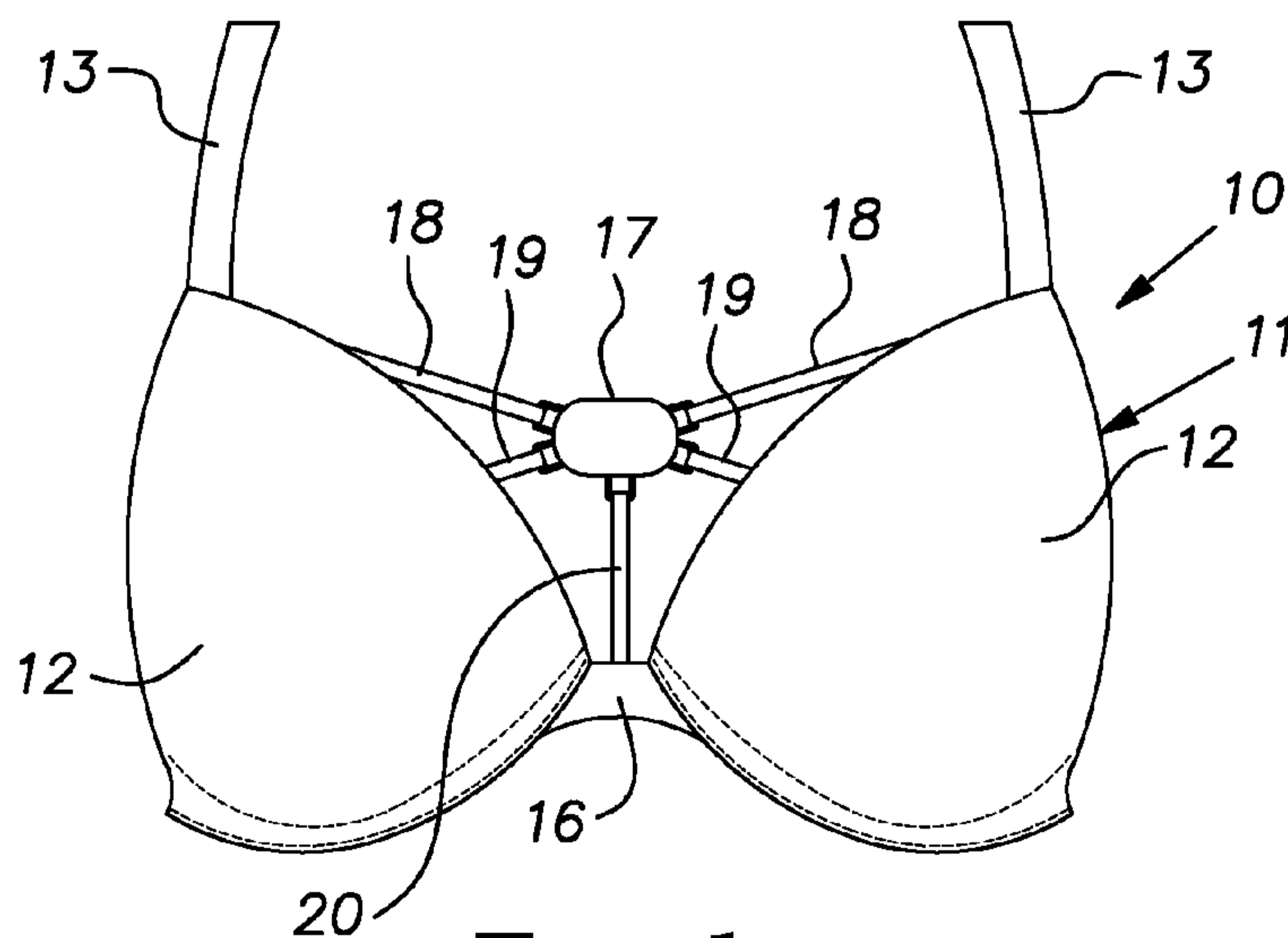


FIG. 1

(57) Abstract: A brassiere and a decorative element having a relatively flat configuration, a set of suspension straps symmetrically arranged about a vertical plane between the brassiere cups serving to locate the decorative element symmetrically about the vertical plane above, and free of contact with a bridge between the cups, the suspension straps on each side of the decorative element including a first suspension strap attached to a mid-section of an associated cup and to an adjacent side edge of the decorative element and a second suspension strap spaced above the first suspension strap and attached to said adjacent side edge of the decorative element, the first and second suspension straps being arranged to maintain a face of the decorative element facing in a direction to which said cups project.

BRASSIERE ACCESSORY**BACKGROUND OF THE INVENTION**

The invention relates to ladies adornments and, more particularly, to a decorative element associated with a brassiere.

PRIOR ART

It is known, for example, from U.S. Patent 8,425,274 and U.S. Patent Application Publication 2010/0154472 to associate a decorative element with a brassiere. Typically such elements are disposed at or form the bridge between the cups of the brassiere. As a result, the decorative element is not ordinarily displayed and, if revealed, it is not presented in a manner that obtains a prominence separate from the brassiere itself. While a necklace or chain provides a more noticeable display of a decorative element such as a pendant, any physical activity of the wearer can cause the pendant to swing and fall out of a blouse and become a distraction and/or become overturned.

SUMMARY OF THE INVENTION

The invention integrates a pendant or other decorative element with a brassiere to add fashion and distinctiveness to both of these combined elements. The inventive arrangement has the decorative element suspended in or above the space between the cups of the brassiere. The decorative element is suspended with horizontal straps that extend sideways to attachment points on the cups and, optionally, the shoulder straps of the brassiere. The suspension straps are vertically separated to allow them to

maintain the decorative element in place without the risk of swinging or face reversal.

The invention may be applied to relatively inexpensive, broad appeal product lines as well as more exclusive product lines. In the lower price category, the decorative element can be, for example, made of molded plastic, non-precious metal, base metal with silver or gold plate or fabric. In the more expensive lines, the decorative element can be made, for example, of 14K or 18K gold, or sterling silver. The decorative element can be imprinted, stamped, cast or otherwise created with an image and/or can serve as a mounting for semi-precious or precious gems.

BRIEF DESCRIPTION OF THE DRAWINGS

FIG. 1 is a front view of a first embodiment of a combined brassiere and decorative element;

FIG. 2 is a rear view of the brassiere of FIG. 1;

FIG. 3 is an enlarged view of one arrangement for attaching a decorative element suspension strap to the brassiere;

FIG. 4 is an enlarged front view of a decorative element and the attachment of the suspension straps thereto;

FIG. 5 is a front view of the decorative element and associated suspension straps removed from a brassiere;

FIG. 6 is an enlarged view of a second arrangement for attaching a decorative element suspension strap to the brassiere;

FIG. 7 is a second embodiment of a brassiere and decorative element;

FIG. 8 is a perspective view of one form of decorative element;

FIG. 9 is a front view of the decorative element of FIG. 8, the rear view being identical;

FIG. 10 is a side view of the decorative element, the opposite side being identical;

FIG. 11 is a top view of the decorative element of FIG. 8;

FIG. 12 is a bottom view of the decorative element of FIG 8;

FIG. 13 is a perspective view of a second form of decorative element;

FIG. 14 is a front view of the decorative element of FIG. 13, the rear view being identical;

FIG. 15 is a side view of the decorative element, the opposite side being identical;

FIG. 16 is a top view of the decorative element of FIG. 13; and

FIG. 17 is a bottom view of the decorative element of FIG 13.

DESCRIPTION OF THE PREFERRED EMBODIMENTS

Referring now to FIG. 1, there is shown a combined brassiere and decorative element 10. The brassiere or bra 11 as is typical has a pair of cups 12, shoulder straps 13 and backstraps 14, the latter being seen in FIG. 2. The cups 12 and straps 13, 14 are typically made of suitable fabric elements sewn together. Adjacent rim areas of the cups 12 are joined by a fabric band or bridge 16 sewn to each cup 12. The cups 12 project in a direction rising above the plane of the drawings of FIG. 1 and FIG. 7.

The decorative element, designated 17 and sometimes referred to simply as the element, is located so that it is symmetrical about a vertical plane centered between the cups 12 and is spaced above the bridge 16. The element or pendant 17 is kept in place by a set of fabric suspension straps or strands 18, 19 and 20 which in the showing of FIG. 1 are five in number. The straps include two lower pieces 18 and two upper pieces 19 extending inwardly from respective cups 12 and a single piece 20 extending upwardly from the bridge 16.

FIG. 3 shows a typical end of a suspension strap 18-20 distal from the element 17, fixed by sewing to respective areas of the cups 12 and bridge 16.

As seen in FIG. 4, ends of the suspension straps 18-20 adjacent the element 17 are passed through eyelets or loops 26 fixed to the element 17 at locations spaced about its periphery. Upper and lower side loops 26 extend sideways from each side edge of the element 17 and a fifth loop extends downwardly from a lower edge of the element. The support straps 18-20 are threaded through the element loops 26 and stitched down upon themselves.

The construction, as described, where the distal ends of the suspension straps 18-20 are sewn directly to the cups 12 is particularly suited for less expensive forms of the product 10.

FIG. 7 illustrates a variant of the invention where a bra 30, constructed of fabric, has its upper sideways extending suspension straps 18 fixed to respective shoulder straps 13. In the illustrated case, the upper suspension straps 18 have their distal ends threaded through rings 31 of the shoulder straps 13 and stitched back down on themselves. Alternatively, where the rings 31 are not

employed, the distal ends of the upper suspension straps 18 can be sewn directly to the shoulder straps 13. Auxiliary suspension straps 32 are shown extending from upper suspension straps 18 downwardly to respective cups 12; the ends of the auxiliary suspension straps 32 are stitched to an associated upper suspension strap 18 and a respective cup 12. It will be noted that the suspension straps 18-20, which normally will be ribbon-like in their cross-section, are somewhat more narrow and delicate than the shoulder straps 13.

Referring to FIG. 5, the distal ends of the suspension straps 18-20 can be fixed to plastic or metal hooks 36. FIG. 6 is a schematic showing of a fabric loop 37 that is sewn on a cup 12, the bridge 16 or a shoulder strap 13 at a desired location. A hook 36 is removably attached to a cup 12 or shoulder strap 13 by positioning it in the loop 37. Alternatively, a group of thread loops can be used in place of the fabric loop 37. Where the distal ends of the suspension straps 18-20 are provided with hooks 36 and the brassiere 11 with receptor loops 37, the decorative element 17 can be removed along with the suspension straps. This permits the bra 11 to be cleaned without risk that the decorative element 17 might be damaged, for example, by a cleaning detergent or that a gem or gems mounted on the element might be lost. Still further, the decorative element 17 can be fitted to another brassiere by simply reattaching the hooks 36 to the loops of the new bra 11.

FIGS. 8-12 illustrate physical details of the decorative element 17. The lower loop or eyelet 26, shown in dotted line in FIGS. 9 and 12, can be omitted along with the strap 20 for some applications. The element 17 may,

for example, have a principal length, apart from the loops 26 of 2 inches and a height of 1.2 inches.

FIGS. 13-17 illustrate a variant of the decorative element 17'. The variant element 17' has four or five attachment loops 26 that have the same orientations as the loops of the element of FIGS. 8-12. The element 17' of FIGS. 13-17 can have a nominal diameter of 1.2 inches not including the loops 26.

The suspension straps 18-20 hold the element 17 above the bridge 16 so that it is visually distinguishable from the bra 11. The vertical spacing of the sideway extending straps 18-19 on each side of the element 17 prevents the element from turning inside face out.

While the invention has been shown and described with respect to particular embodiments thereof, this is for the purpose of illustration rather than limitation, and other variations and modifications of the specific embodiments herein shown and described will be apparent to those skilled in the art all within the intended spirit and scope of the invention. Accordingly, the patent is not to be limited in scope and effect to the specific embodiments herein shown and described nor in any other way that is inconsistent with the extent to which the progress in the art has been advanced by the invention.

CLAIMS:

1. In combination, a brassiere and a decorative element, the brassiere having a pair of adjacent cups symmetrically disposed about a vertical plane, the cups each being supported by an
5 associated shoulder strap and being mutually coupled by an intermediate bridge at the vertical plane, a set of suspension straps symmetrically arranged about said vertical plane serving to locate the decorative element symmetrically about the
10 vertical plane above the bridge and free of contact with the bridge, the set of suspension straps having on each right and left side of the brassiere a suspension strap attached to a mid-section of a cup and to an adjacent side edge of the decorative element and another suspension strap spaced above the cup attached suspension strap attached to the decorative
15 element substantially above a mid-height of the decorative element and inclined upwardly in a generally straight line, and an additional central bridge attaching suspension strap extending vertically from said bridge to said decorative element and attached therebetween to both said bridge and said
20 decorative element, the cup attached and the another suspension straps being arranged to maintain a face of the decorative element facing in a direction to which said cups project.

2. The combination as set forth in claim 1, wherein said decorative element includes suspension strap receiving loops
25 and said suspension straps are assembled through said loops and stitched down upon themselves.

3. The combination as set forth in claim 2, wherein ends of the suspension straps distal from the decorative element are stitched directly to the cups and/or shoulder straps.

4. The combination as set forth in claim 2, wherein the cups
and/or shoulder straps include fabric or thread loops, the ends
of the suspension straps distal from the decorative element
being provided with hooks, each hook being received in a
5 respective one of said fabric or thread loops.

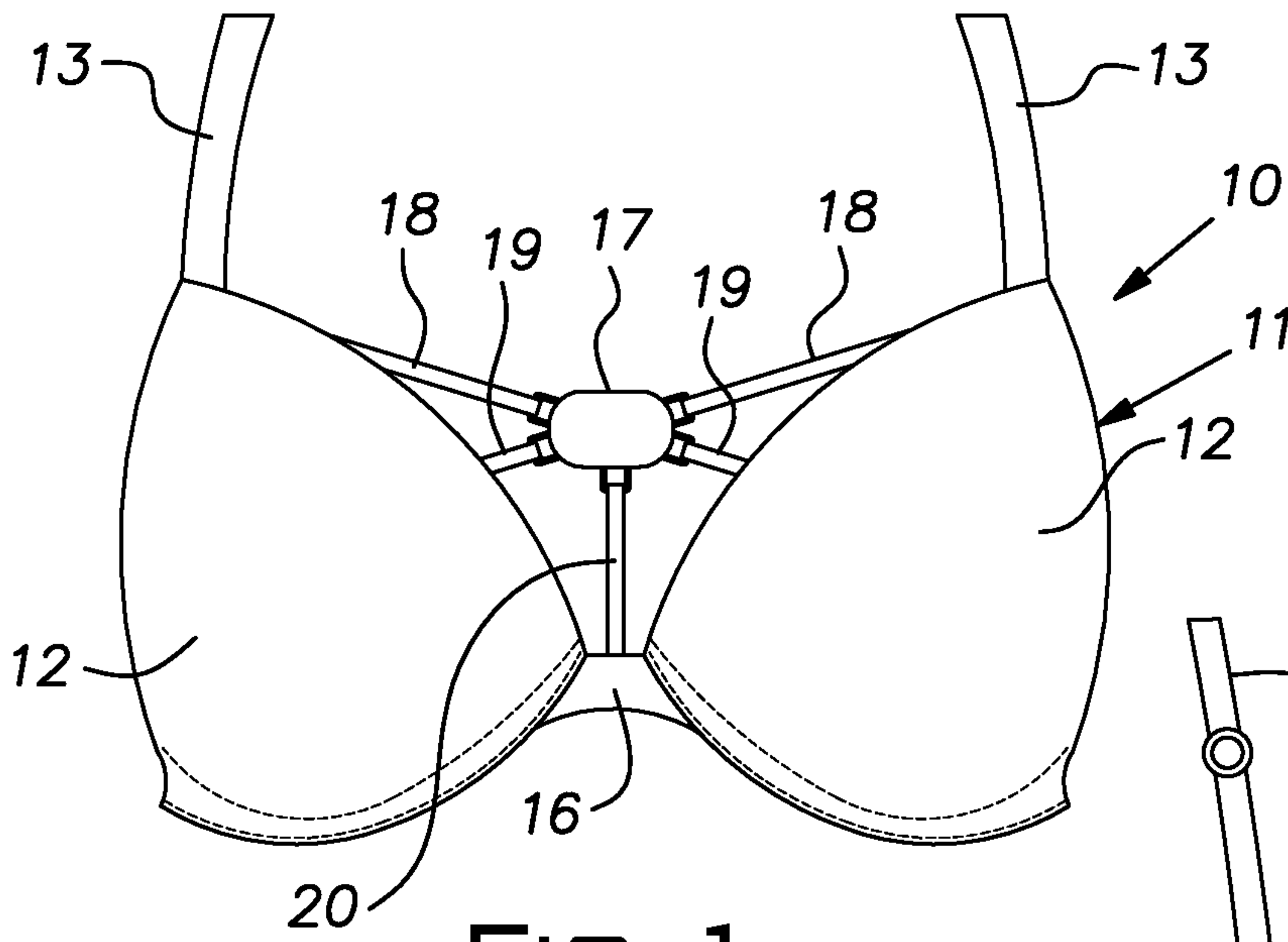


FIG. 1

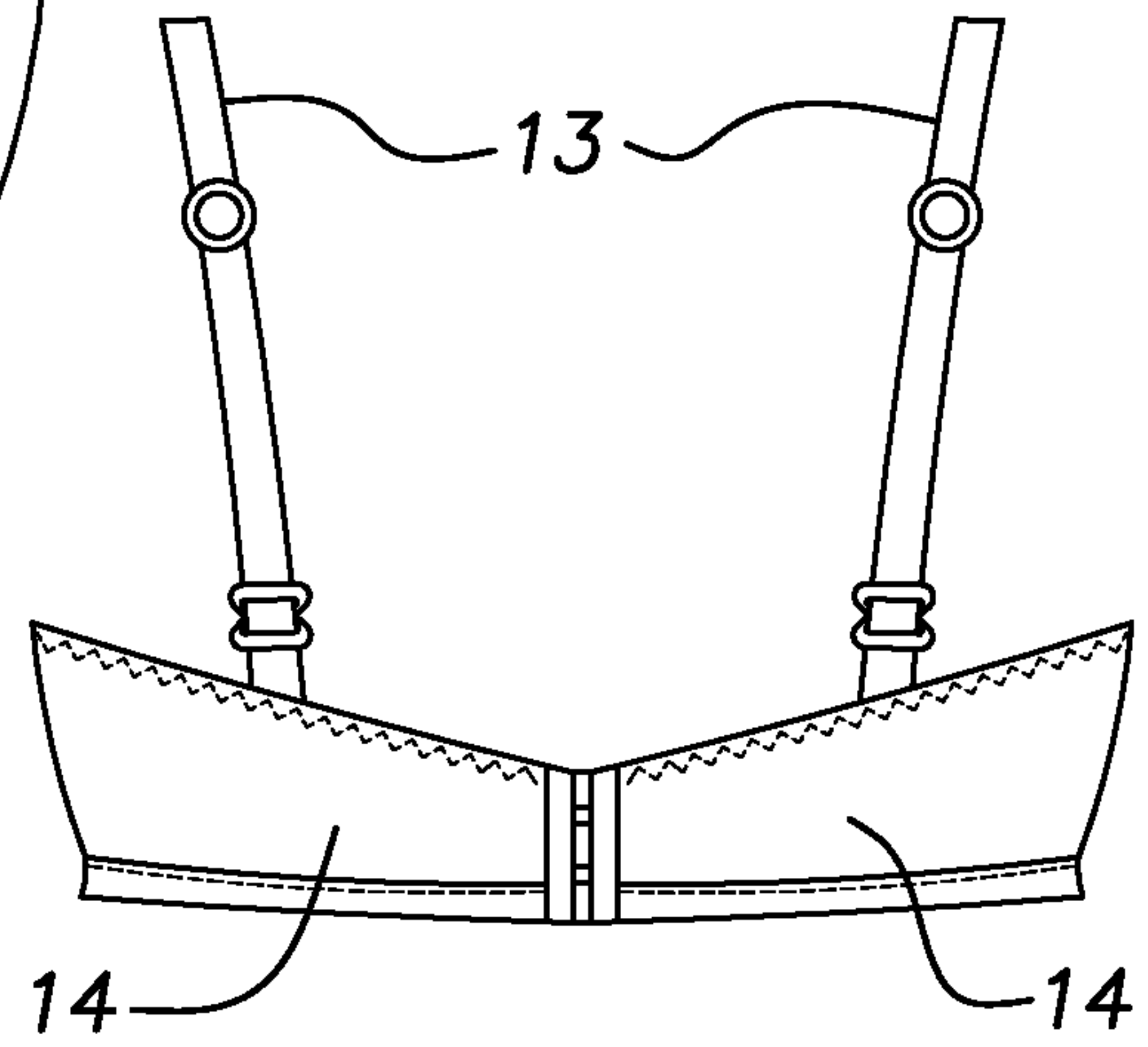


FIG. 2

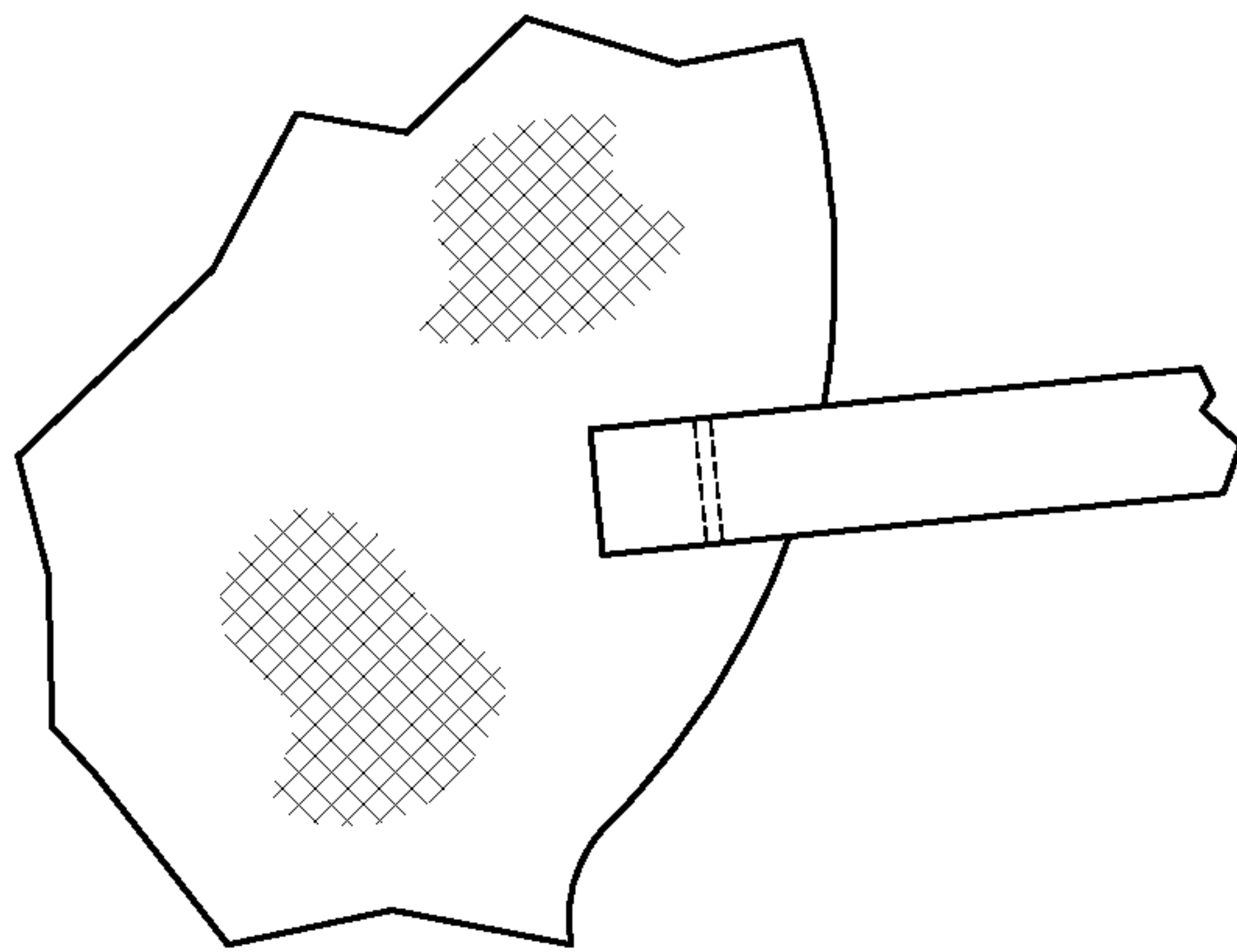


FIG. 3

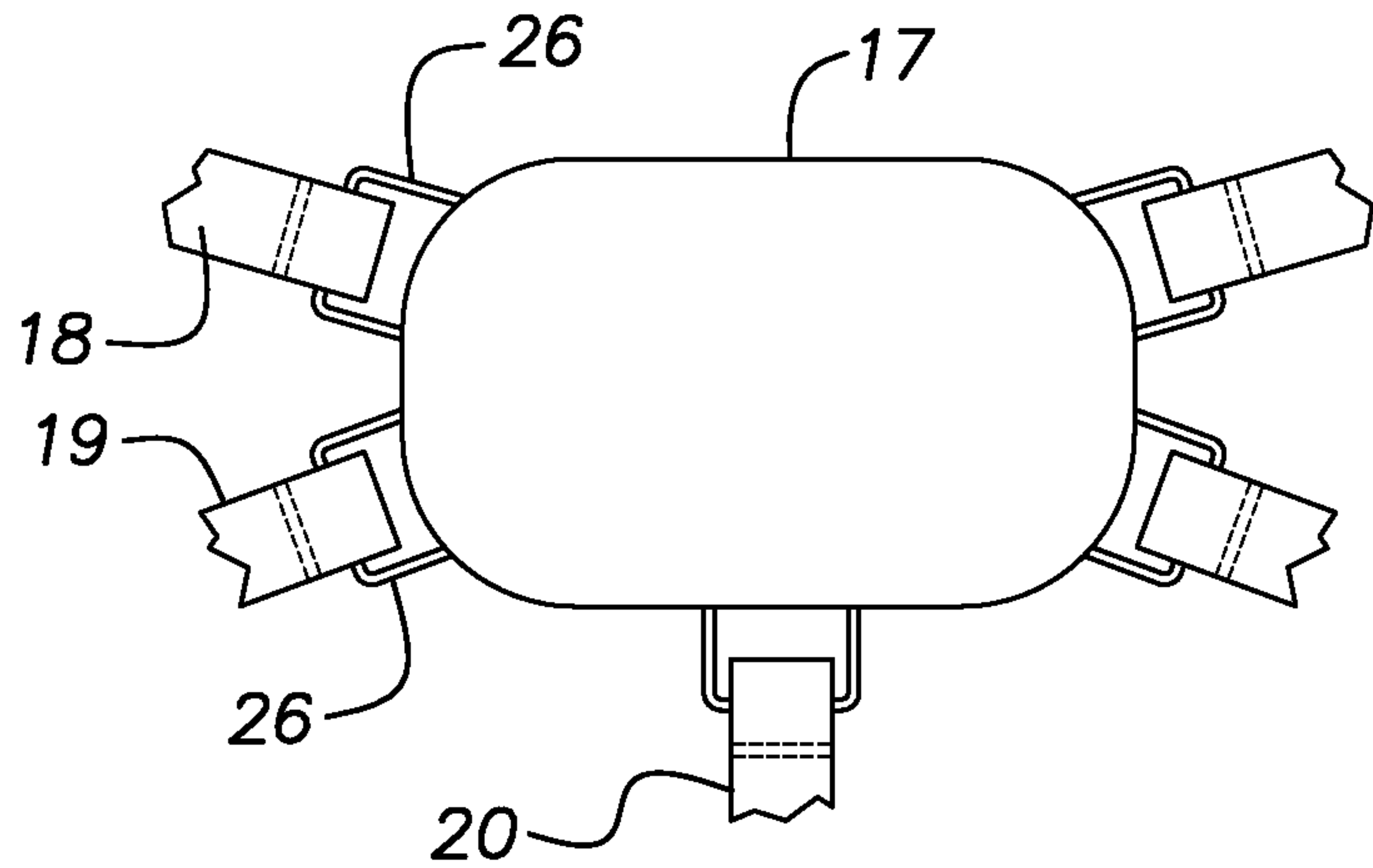


FIG. 4

3/4

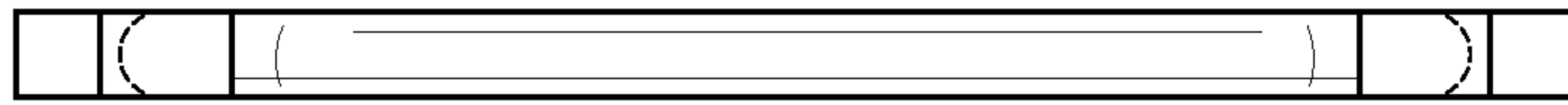
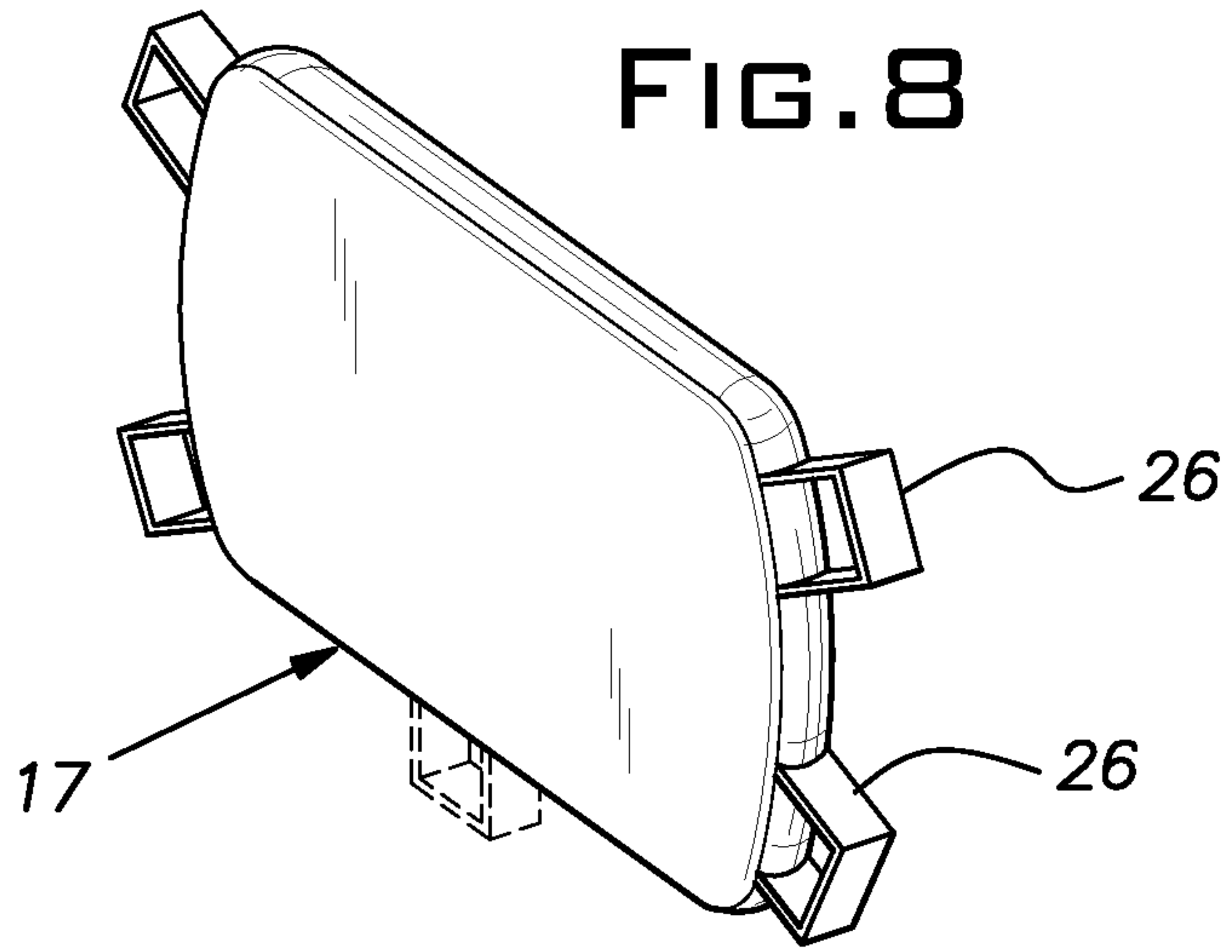


FIG. 11

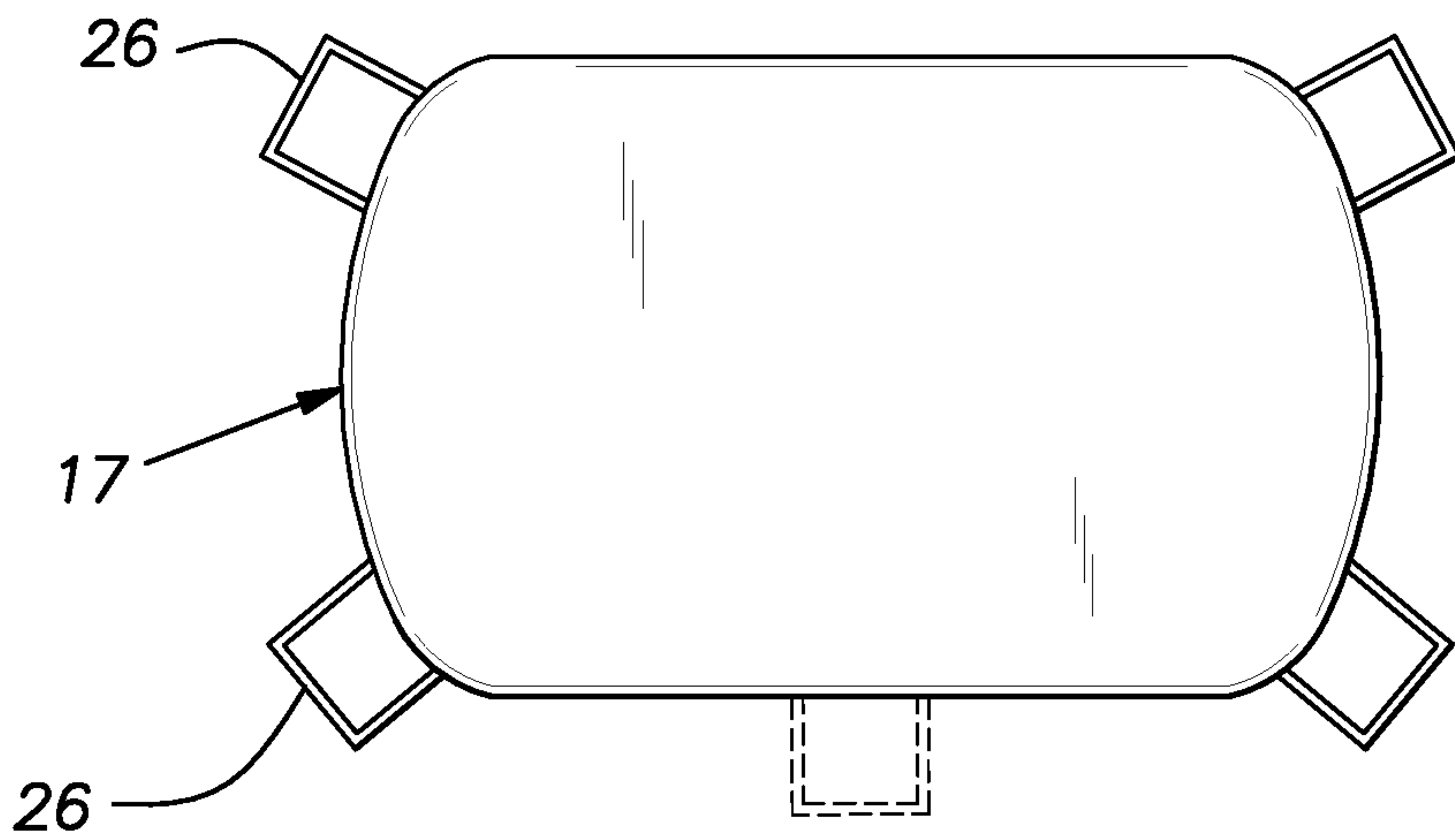


FIG. 9

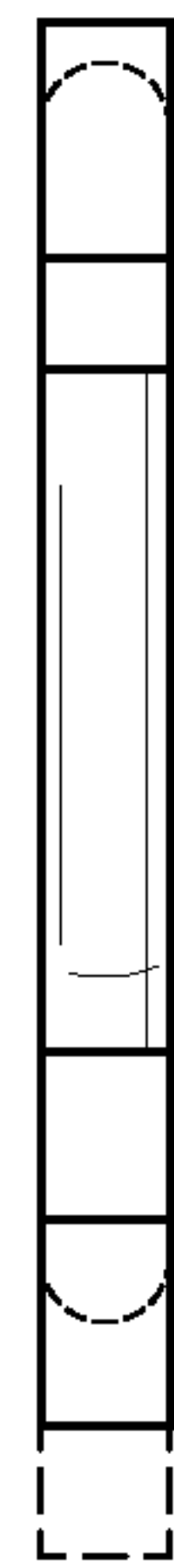


FIG. 10

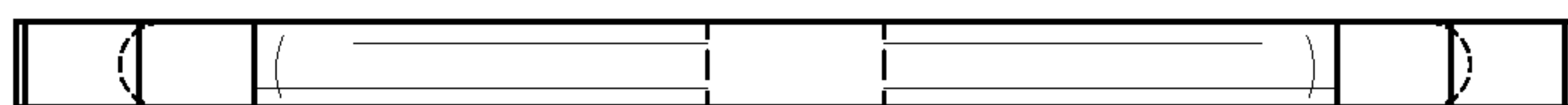


FIG. 12

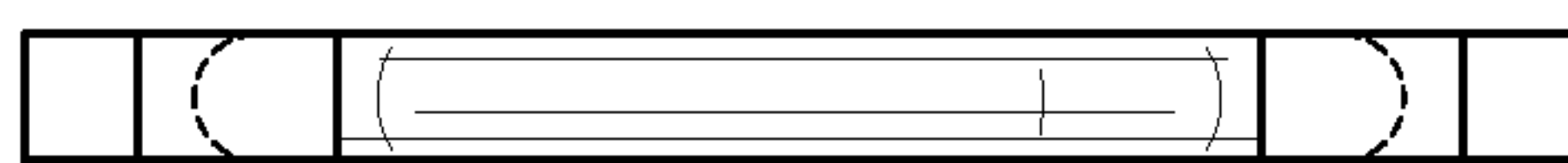
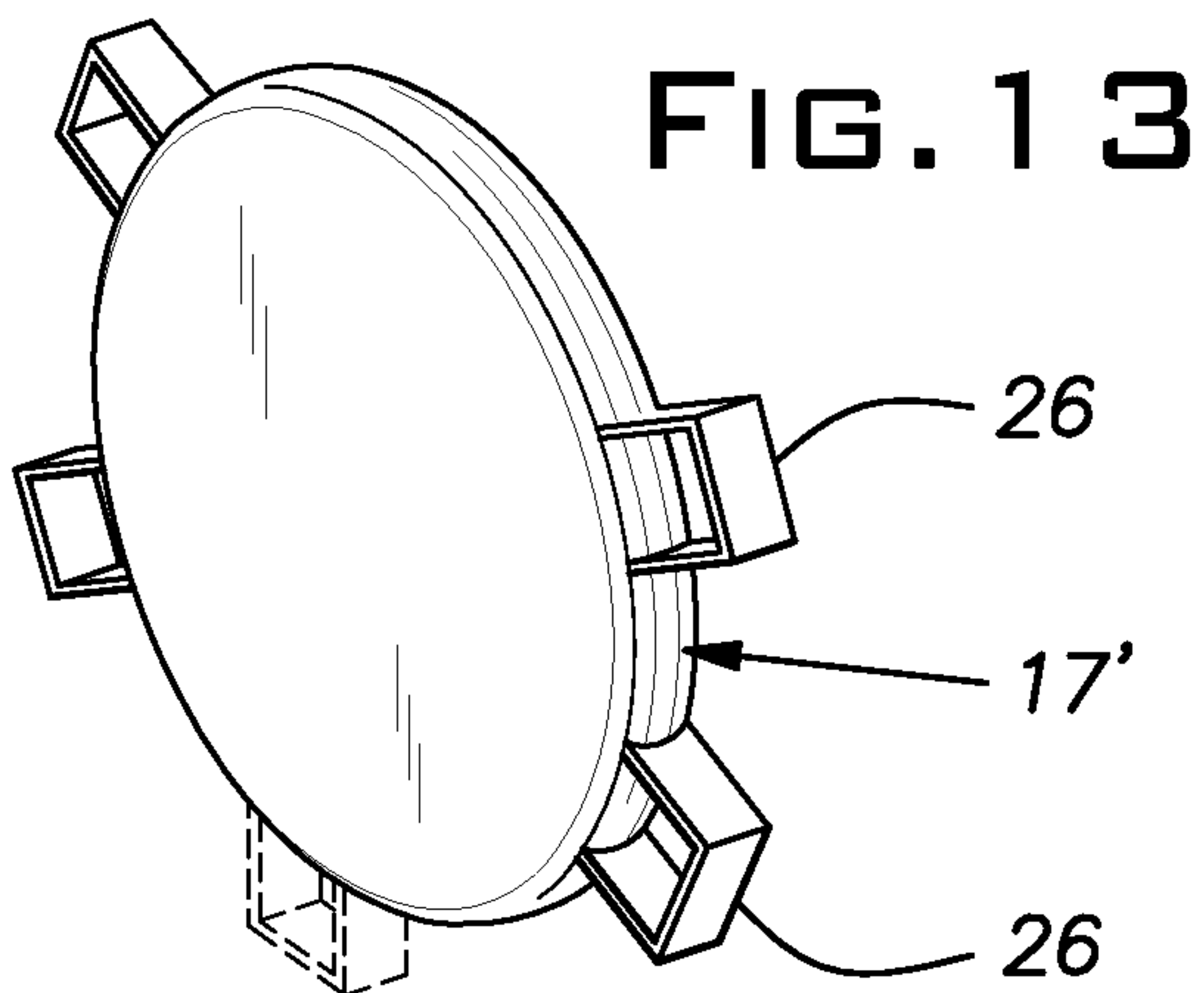


FIG. 16

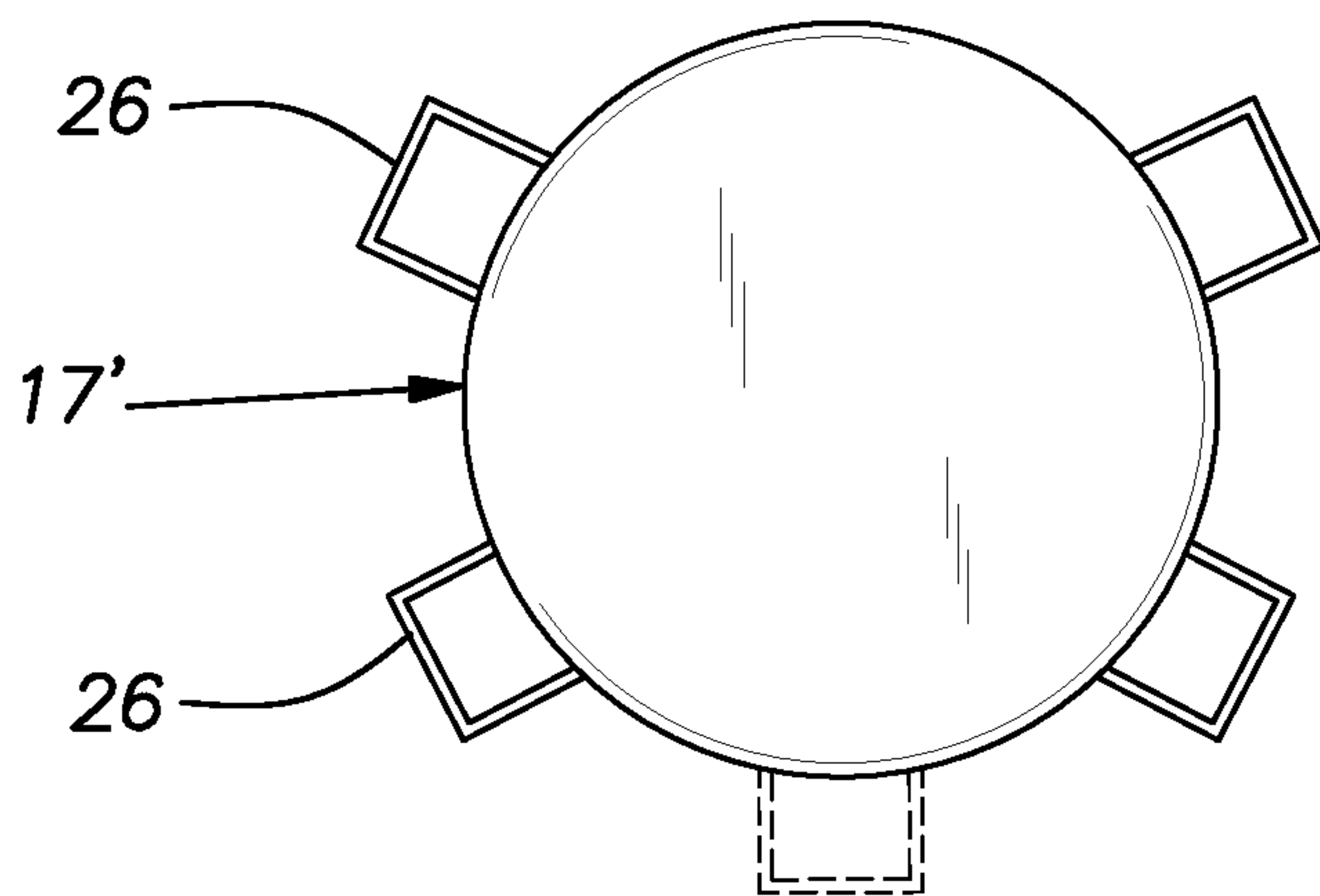


FIG. 14

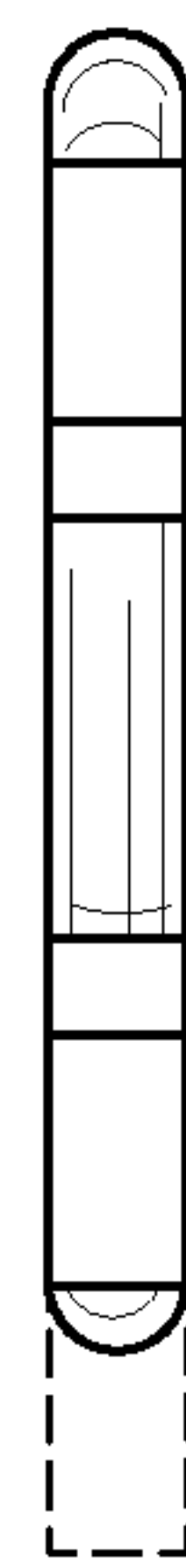


FIG. 15

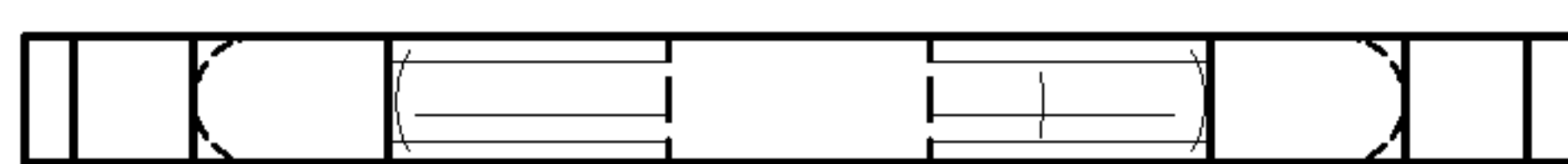


FIG. 17

