



US00D724092S

(12) **United States Design Patent**
Zangari et al.

(10) **Patent No.:** **US D724,092 S**

(45) **Date of Patent:** **** Mar. 10, 2015**

(54) **PROTECTIVE COVER FOR A TABLET COMPUTER**

(71) Applicant: **Moleskine S.p.A.**, Milan (MI) (IT)

(72) Inventors: **Gabriel Zangari**, Milan (IT); **Samantha Rossini**, Milan (IT); **Dagmara Seimaniec**, Milan (IT)

(73) Assignee: **Moleskine S.p.A.**, Milan (IT)

(**) Term: **14 Years**

(21) Appl. No.: **29/477,655**

(22) Filed: **Dec. 24, 2013**

(30) **Foreign Application Priority Data**

Jul. 12, 2013 (EM) 002273524-0001
Jul. 12, 2013 (EM) 002273524-0002

(51) **LOC (10) Cl.** **14-02**

(52) **U.S. Cl.**
USPC **D14/440**

(58) **Field of Classification Search**

CPC ... G06F 1/1601; G06F 1/1626; G06F 1/1633;
G06F 1/1675; G06F 1/1679; G02F 1/1306;
G02F 1/133; G02F 1/133308; G02F 1/153;
G02F 1/1533; G02F 2001/133317; H04M
1/185; H04M 1/0252; H04B 1/3888
USPC D14/250, 251, 253, 240, 217, 496, 440,
D14/203.3, 203.4, 203.5, 203.8, 341, 318;
D3/218, 215, 201, 294, 289, 900;
220/4.02; 248/309.1; 361/679.56;
379/426, 433.11, 455; 455/575.1,
455/575.8, 457.1; 190/100; 206/305, 320,
206/45.2; D21/469; 312/240

See application file for complete search history.

(56) **References Cited**

U.S. PATENT DOCUMENTS

D118,197 S *	12/1939	Trussell	D19/26
D323,348 S *	1/1992	Tooker	D19/26
D449,166 S *	10/2001	Shapiro	D3/303
D600,699 S *	9/2009	Johnston et al.	D14/440
D649,185 S *	11/2011	Bakrania	D19/26
D678,293 S *	3/2013	Meehan	D14/440
D678,884 S *	3/2013	Phillips et al.	D14/440
D684,978 S *	6/2013	Phillips et al.	D14/440
D688,250 S *	8/2013	Phillips et al.	D14/440
D696,256 S *	12/2013	Piedra et al.	D14/440
D706,783 S *	6/2014	Almodova	D14/440
D707,229 S *	6/2014	Almodova	D14/440
2010/0300909 A1 *	12/2010	Hung	206/320

* cited by examiner

Primary Examiner — Cynthia Underwood

(74) *Attorney, Agent, or Firm* — Steinfl & Bruno, LLP

(57) **CLAIM**

The ornamental design for the protective cover for a tablet computer, as shown and described.

DESCRIPTION

FIG. 1 shows a perspective view of a protective cover for a tablet computer.

FIG. 2 shows a top view of the protective cover.

FIG. 3 shows a bottom view of the protective cover.

FIG. 4 shows a right side view of the protective cover.

FIG. 5 shows a left side view of the protective cover.

FIG. 6 shows a rear side view of the protective cover.

FIG. 7 shows a front side view of the protective cover.

FIG. 8 shows an interior perspective view of the protective cover when partially opened.

FIG. 9 shows a top view of the protective cover when opened.

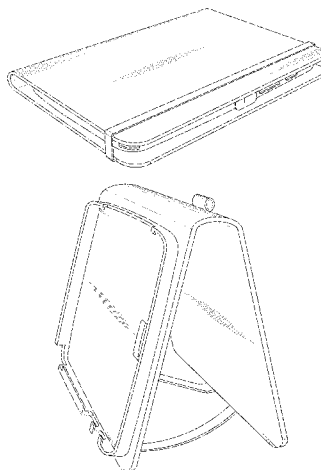
FIG. 10 shows a first perspective view of the protective cover when opened and folded.

FIG. 11 shows a second perspective view of the protective cover when opened and folded; and,

FIG. 12 shows a third perspective view of the protective cover when opened and folded.

Broken lines shown in the drawings are not intended to form part of the claimed design.

1 Claim, 10 Drawing Sheets



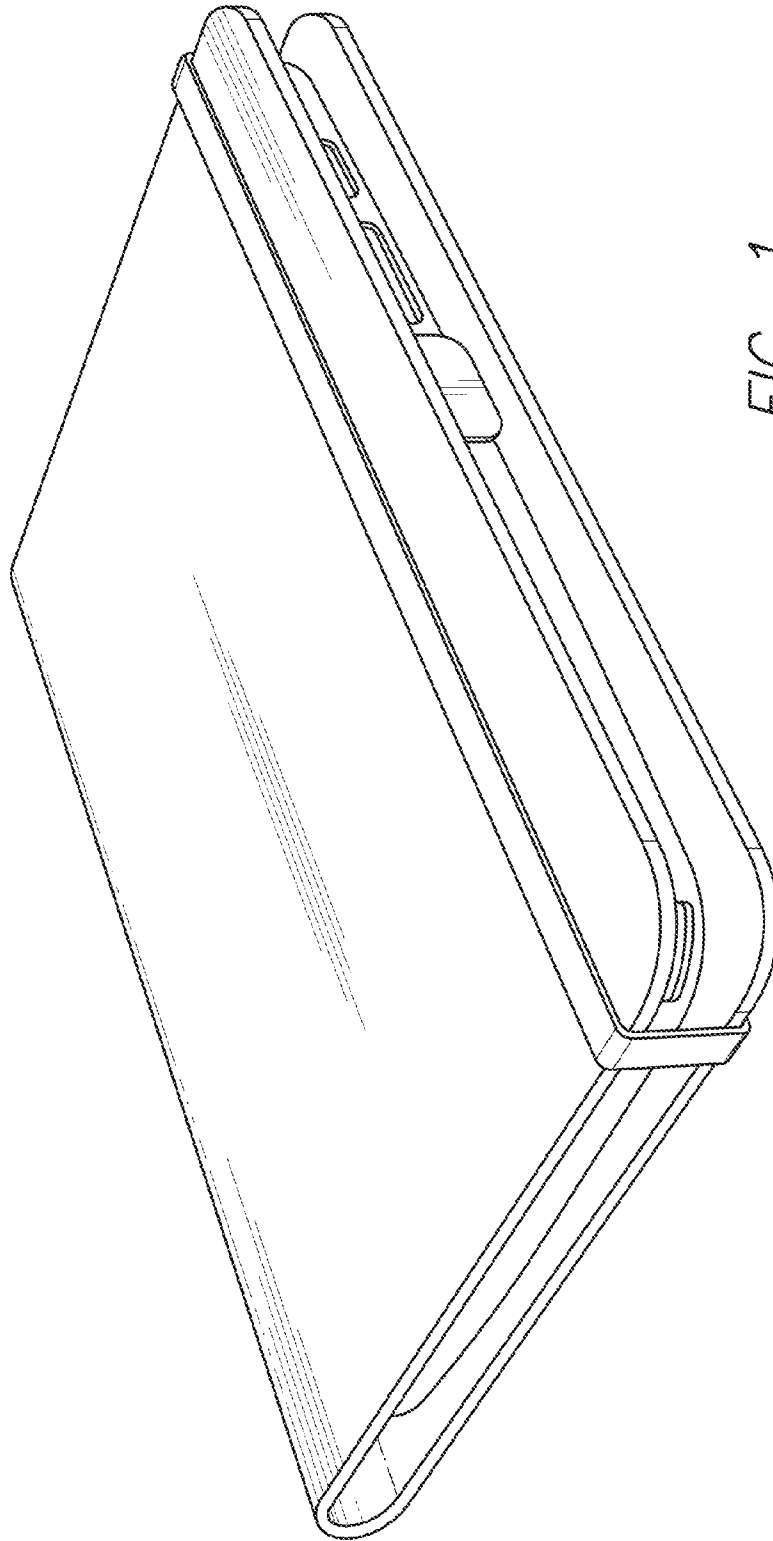


FIG. 1

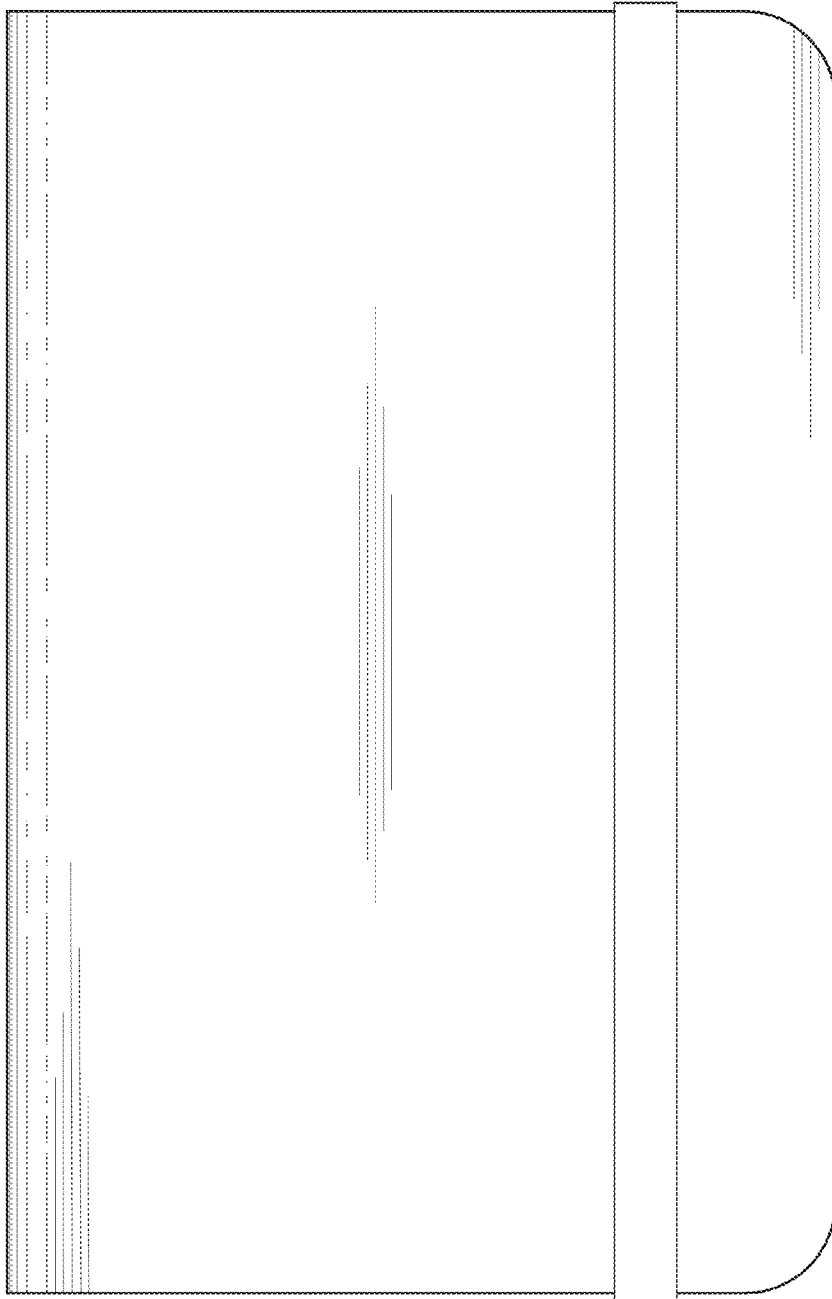


FIG. 2

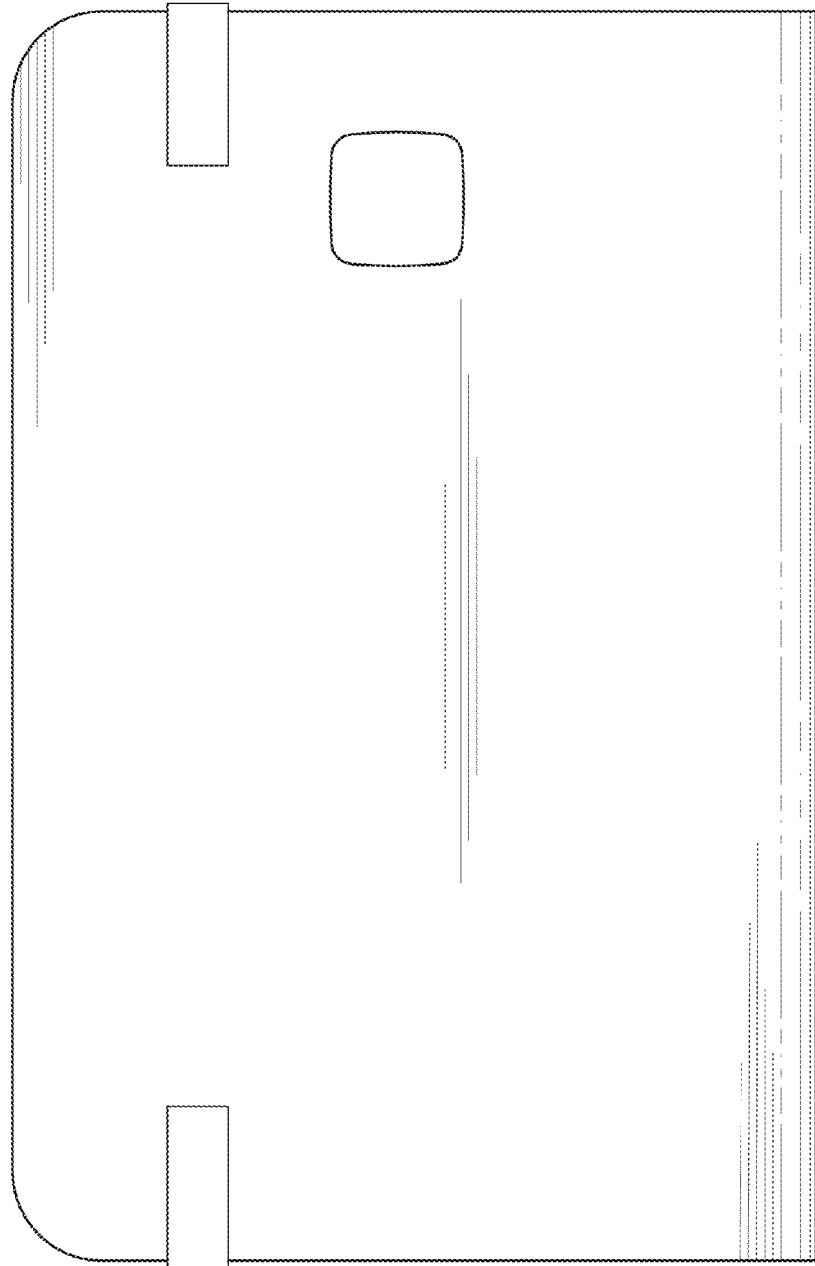


FIG. 3

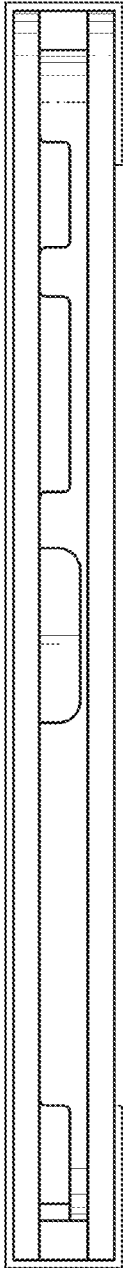


FIG. 4

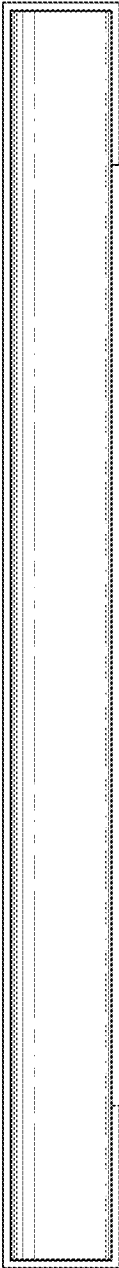


FIG. 5

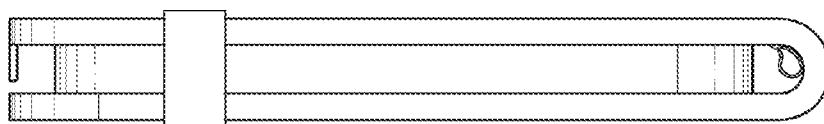


FIG. 6

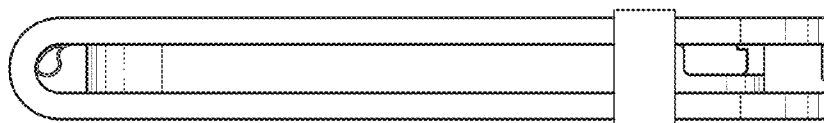


FIG. 7

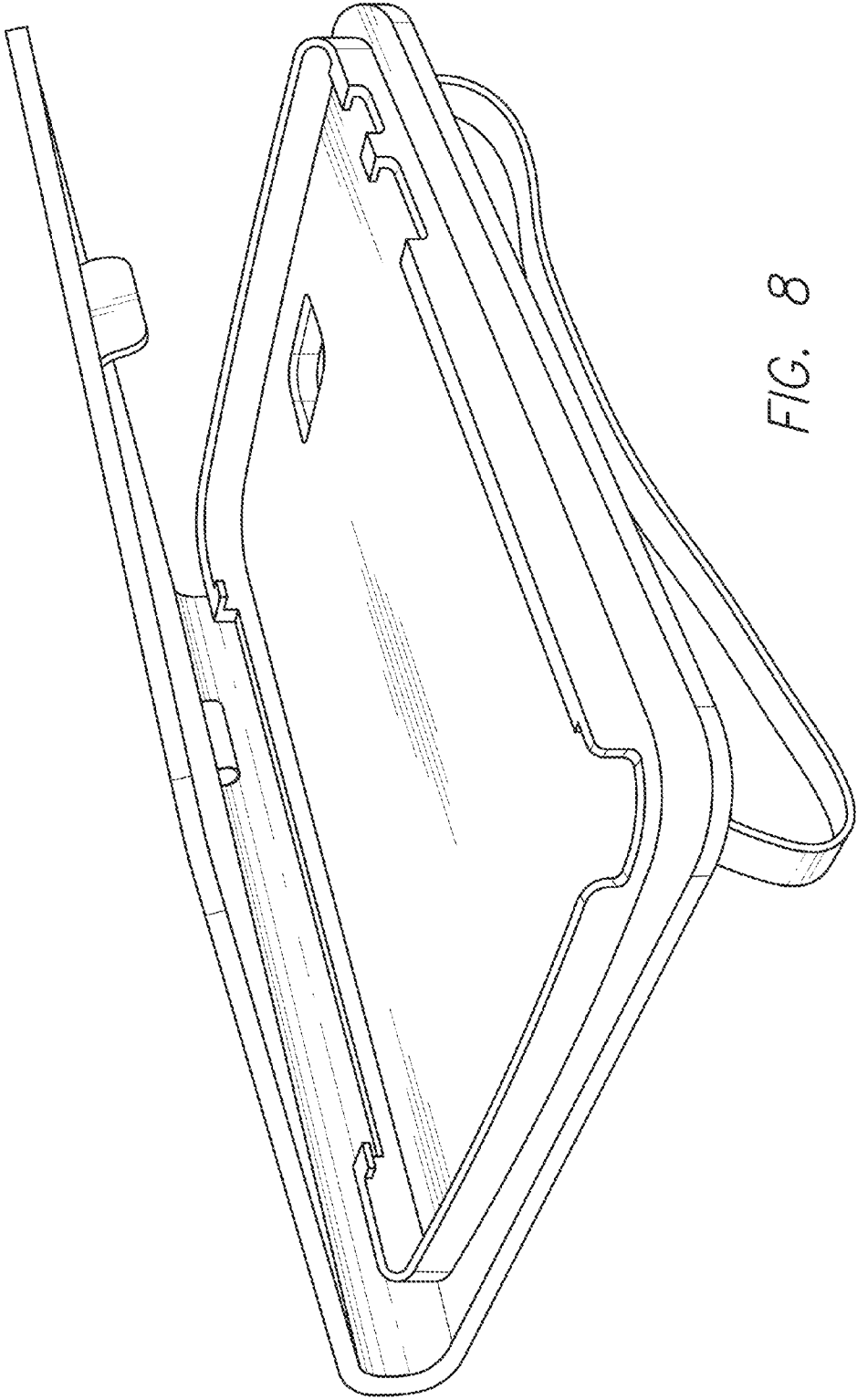


FIG. 8

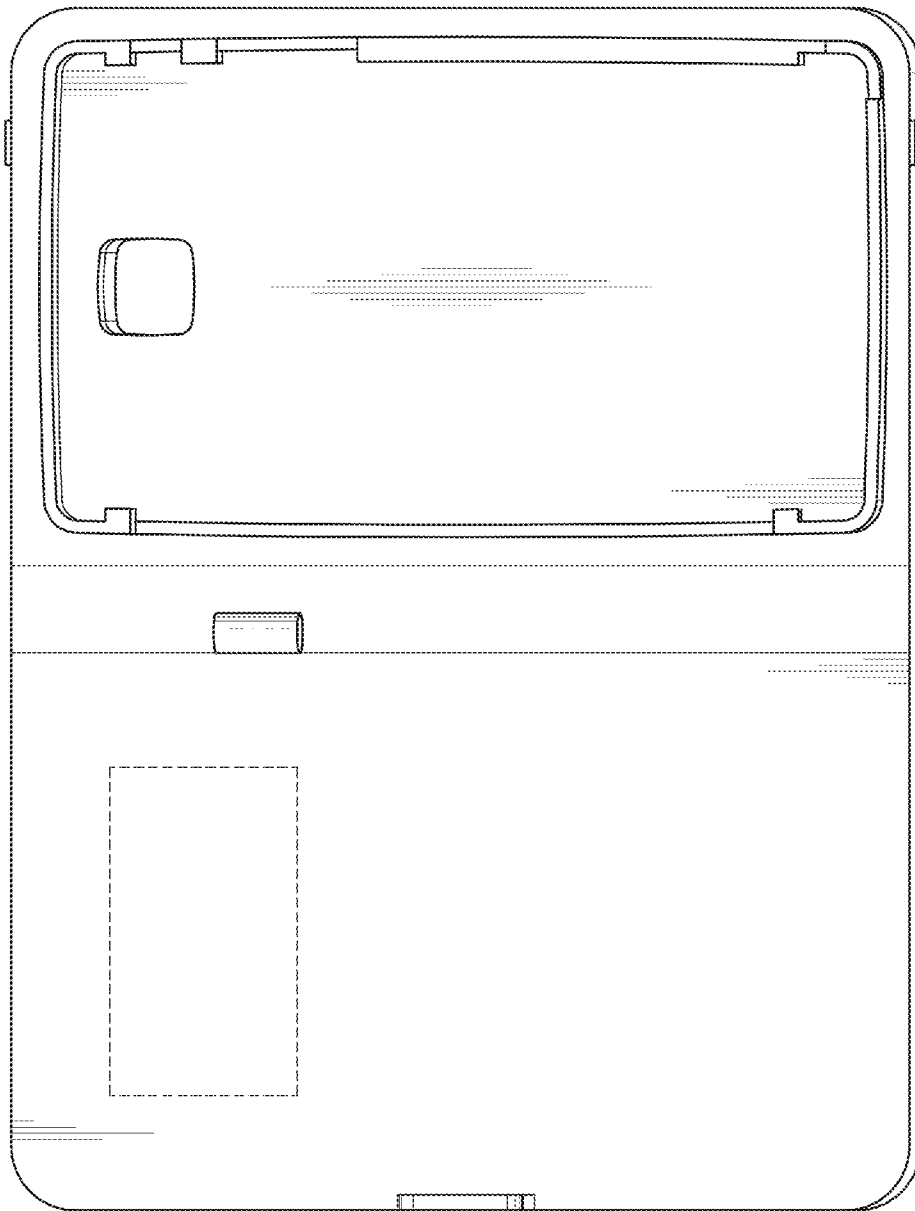


FIG. 9

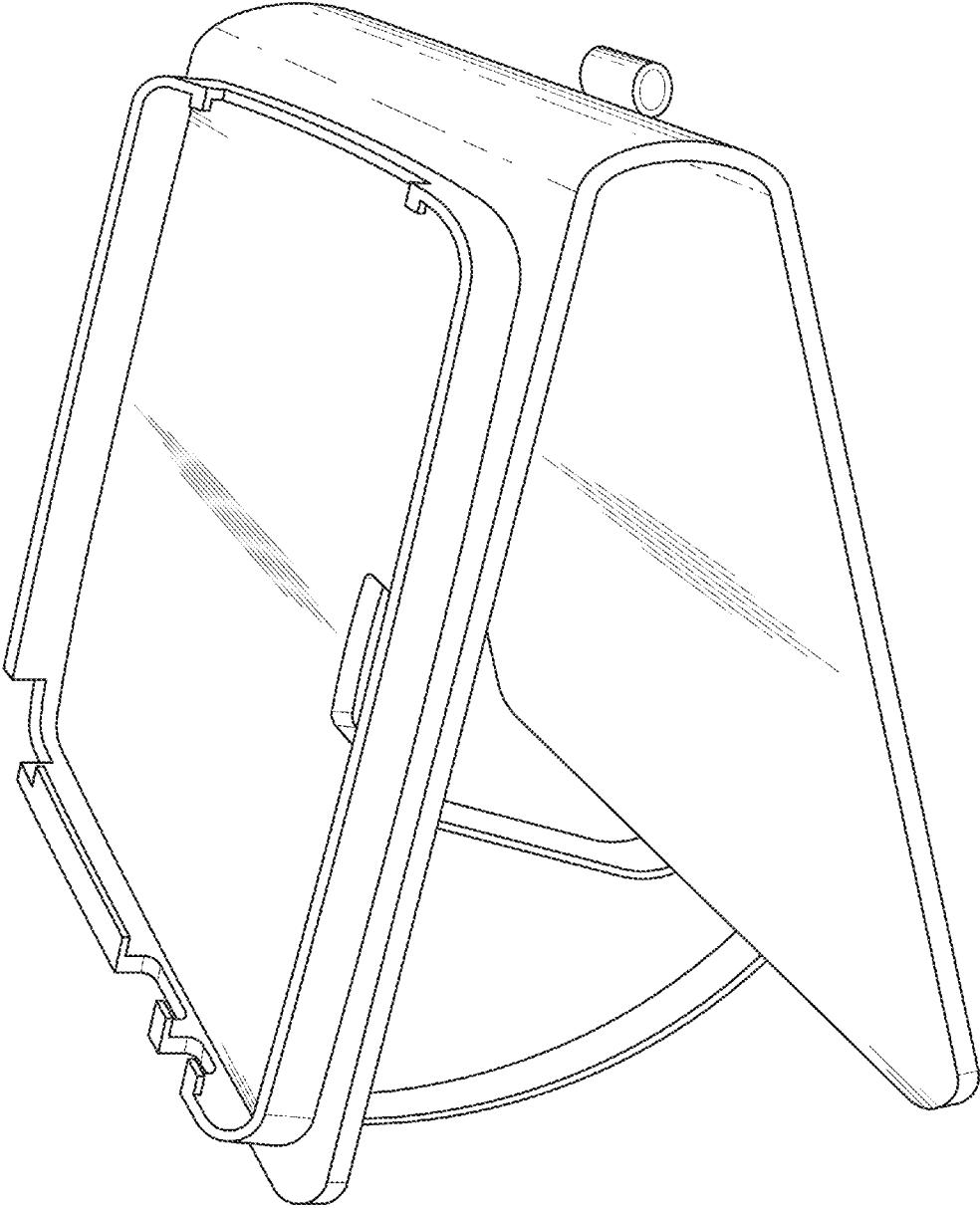


FIG. 10

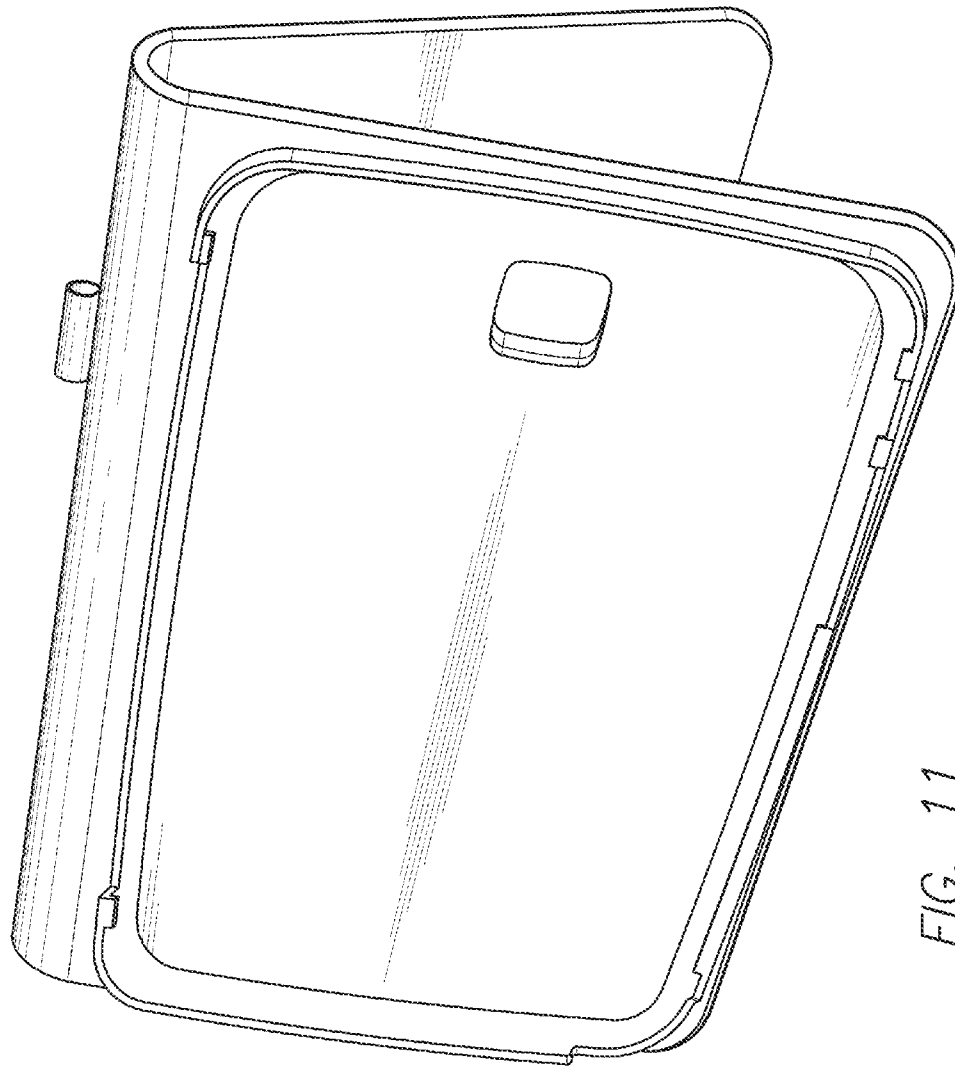


FIG. 11

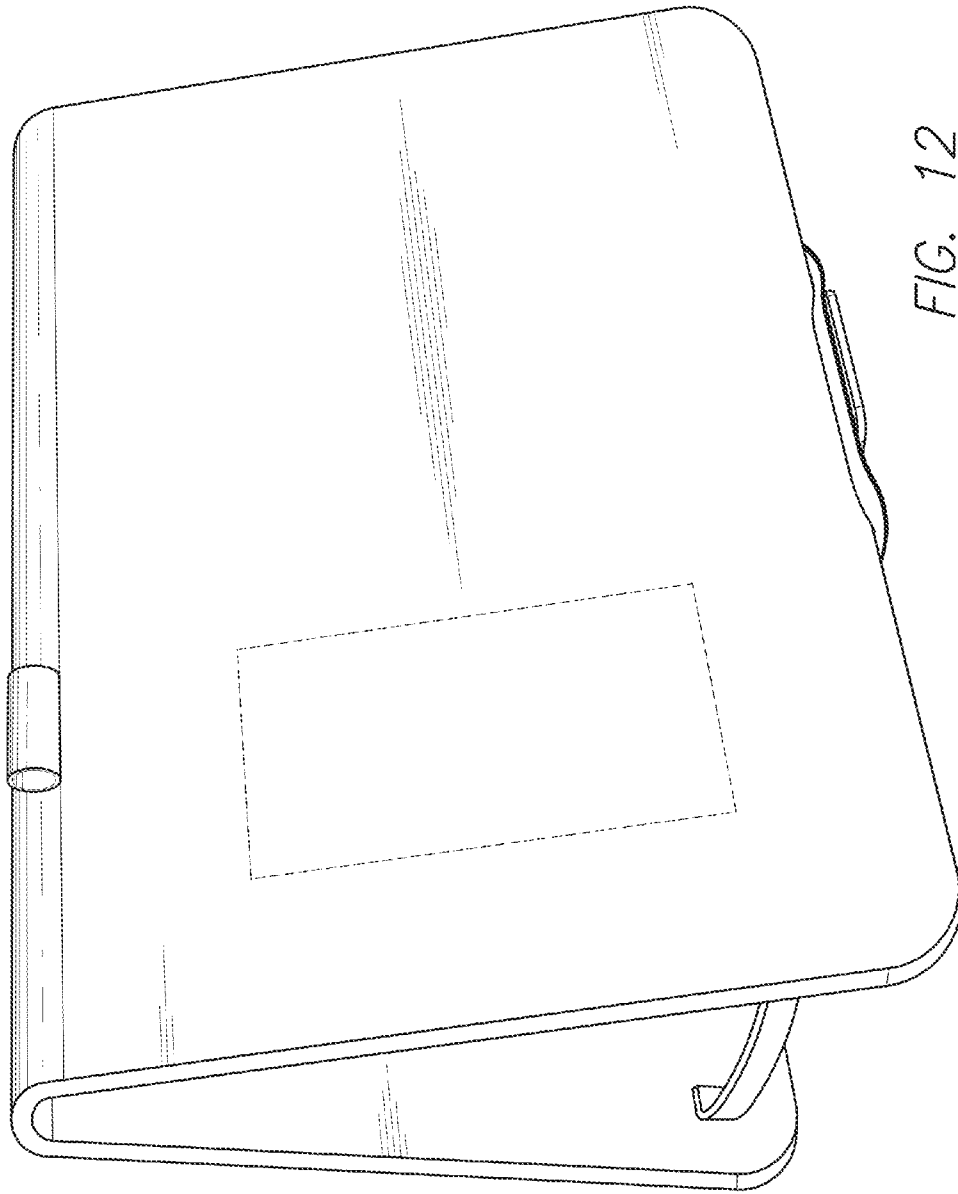


FIG. 12