



US00D802371S

(12) **United States Design Patent**  
**Ceri**

(10) **Patent No.:** **US D802,371 S**

(45) **Date of Patent:** **\*\* Nov. 14, 2017**

(54) **DISPLAY STAND**

(71) Applicant: **VENCHI S.p.A.**, Castelletto Stura  
(Cuneo) (IT)

(72) Inventor: **Luca Ceri**, Prato (IT)

(73) Assignee: **VENCHI S.p.A.** (IT)

(\*\*) Term: **15 Years**

(21) Appl. No.: **29/562,890**

(22) Filed: **Apr. 29, 2016**

(30) **Foreign Application Priority Data**

Nov. 3, 2015 (EM) ..... 002846170

(51) **LOC (10) Cl.** ..... **07-07**

(52) **U.S. Cl.**

USPC ..... **D7/601**; D6/677.5; D6/677; D1/105

(58) **Field of Classification Search**

USPC ..... D6/675-675.3, 677-677.5, 713.18;  
D21/606, 693; D28/10, 38; D7/601,  
D7/704; D1/105

CPC ..... A47C 27/064; A47C 23/0438

See application file for complete search history.

(56) **References Cited**

**U.S. PATENT DOCUMENTS**

D167,555 S \* 8/1952 Bisharat ..... D6/405  
D193,957 S \* 10/1962 Young ..... 220/743  
D347,493 S \* 5/1994 Connolly ..... D11/117  
D361,449 S \* 8/1995 Rittenberg ..... D6/566  
D426,047 S \* 6/2000 Kurtz ..... D1/105

D433,186 S \* 10/2000 LeCrone ..... D28/10  
D467,127 S \* 12/2002 Wright ..... D1/105  
D481,891 S \* 11/2003 Gibbens ..... D6/718.31  
D603,095 S \* 10/2009 Petruccelli ..... D28/38  
D669,635 S \* 10/2012 Goodman ..... D28/38  
D735,939 S \* 8/2015 Petruccelli ..... D28/10  
D736,463 S \* 8/2015 Bentley ..... D28/10  
9,161,634 B2 \* 10/2015 DeFranks ..... A47C 23/0438  
D748,335 S \* 1/2016 Goodman ..... D28/38  
D786,507 S \* 5/2017 Goodman ..... D28/38

\* cited by examiner

*Primary Examiner* — John Windmuller

*Assistant Examiner* — Melvin L Davis

(74) *Attorney, Agent, or Firm* — Saidman DesignLaw  
Group, LLC

(57) **CLAIM**

The ornamental design for a display stand, as shown and described.

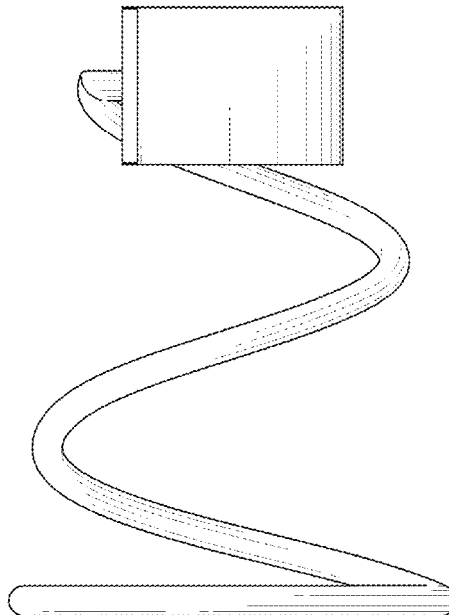
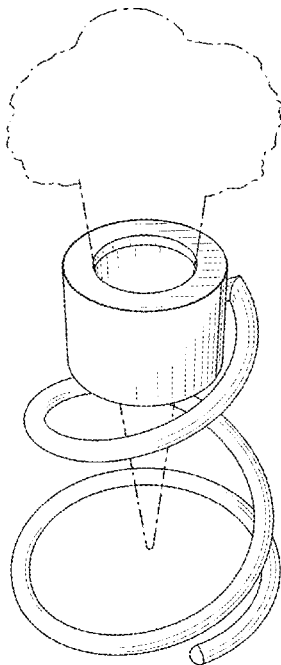
**DESCRIPTION**

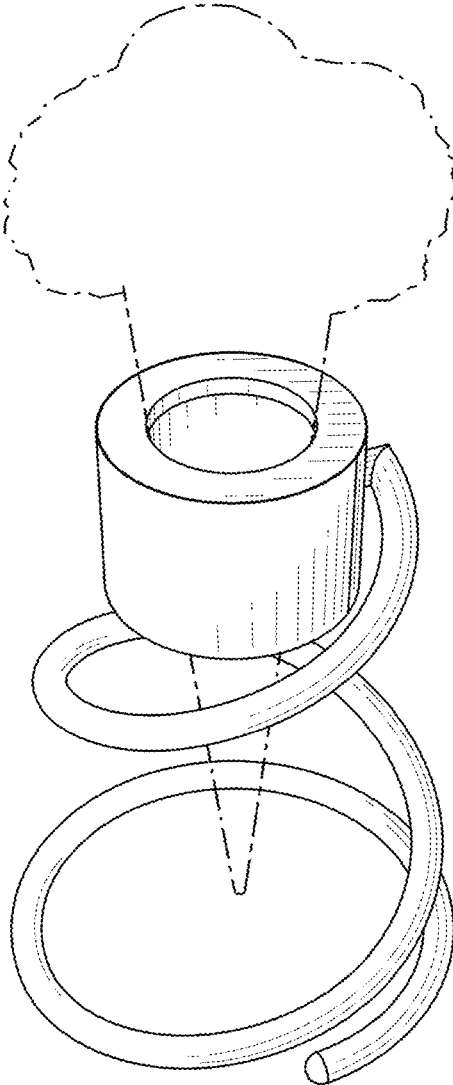
FIG. 1 is a perspective view of a display stand in use showing my new design;  
FIG. 2 is a front view thereof;  
FIG. 3 is a rear view thereof;  
FIG. 4 is a left side view thereof;  
FIG. 5 is a right side view thereof;  
FIG. 6 is a top view thereof; and,  
FIG. 7 is a bottom view thereof.

The drawings include surface shading which represents contour and not surface ornamentation.

The dot-dash broken lines in FIG. 1 illustrate environment and form no part of the claimed design.

**1 Claim, 7 Drawing Sheets**





**FIG. 1**

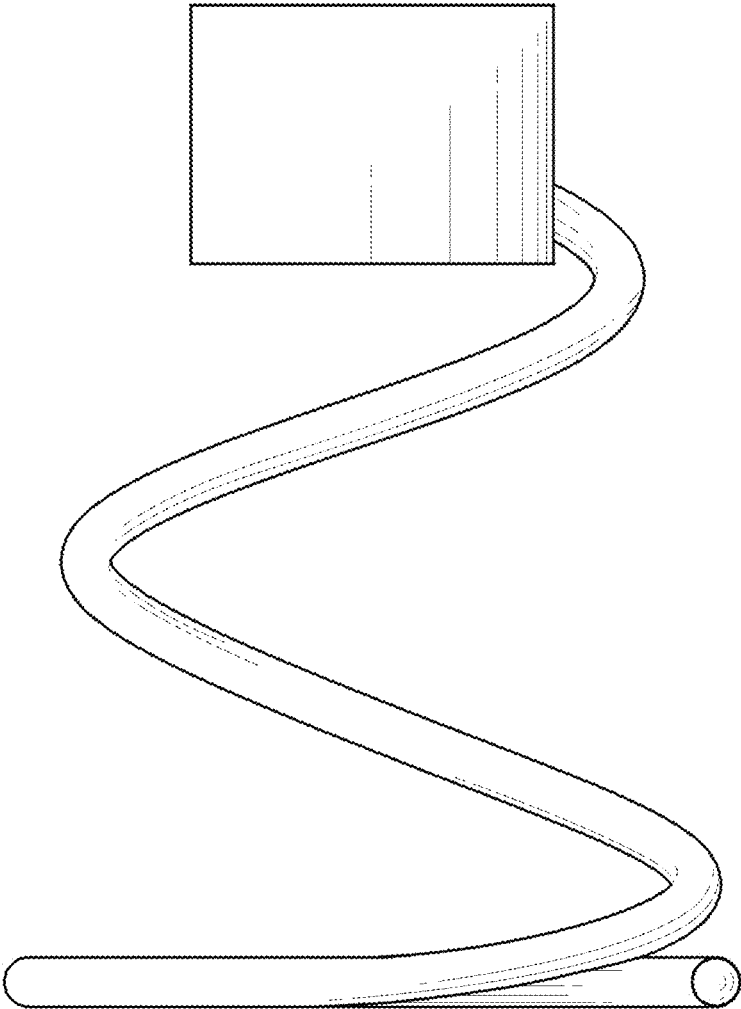
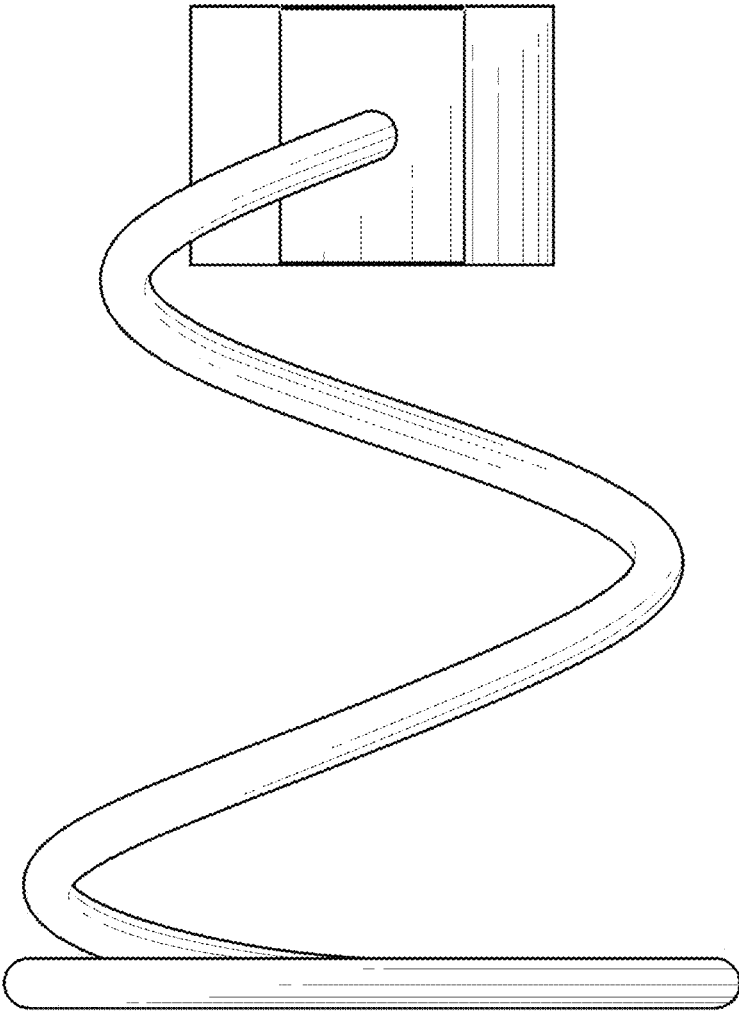
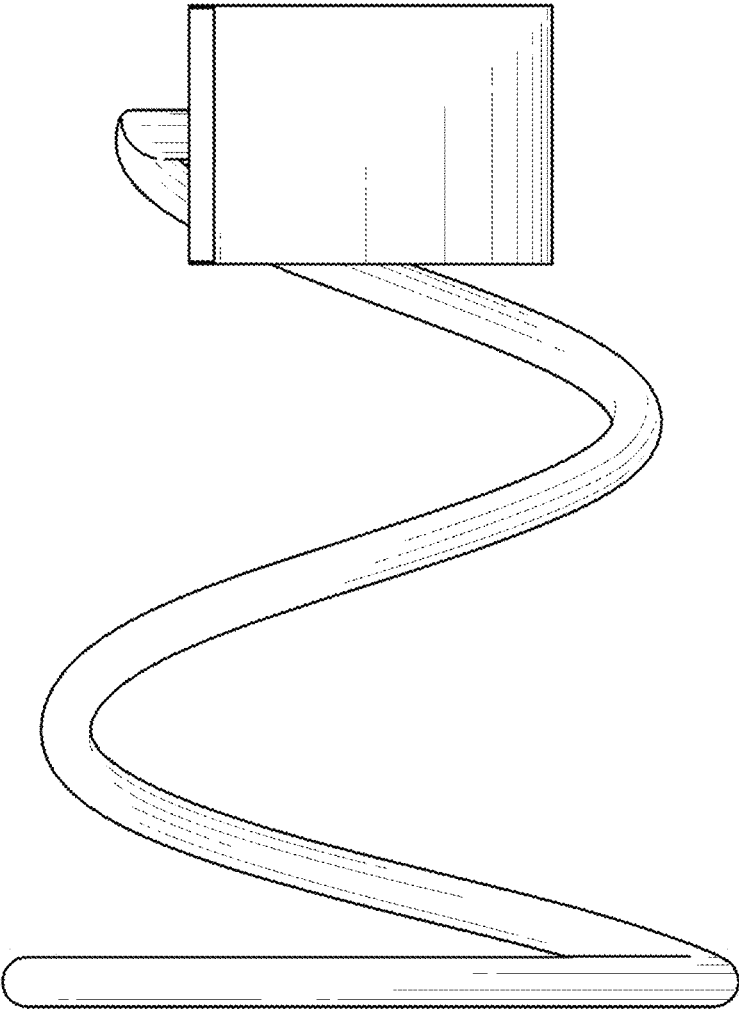


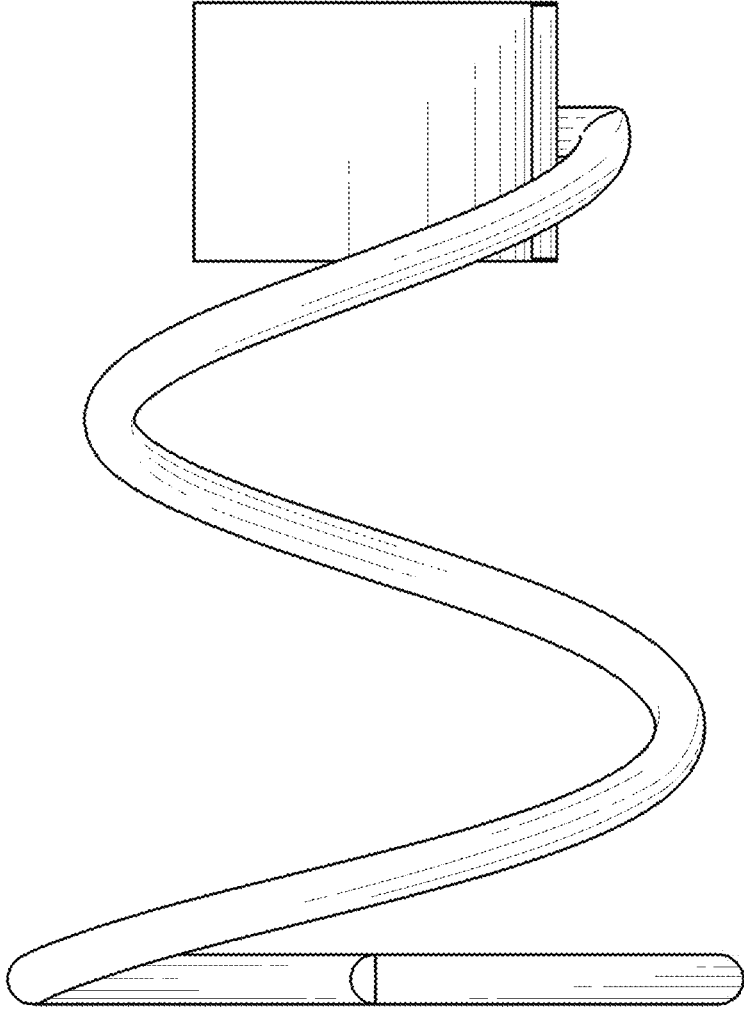
FIG. 2



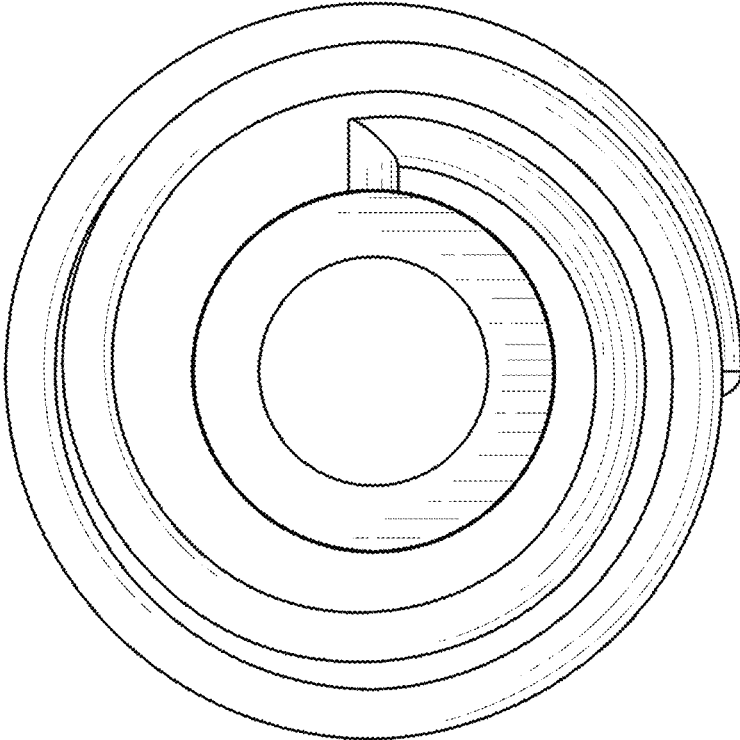
**FIG. 3**



**FIG. 4**



**FIG. 5**



**FIG. 6**

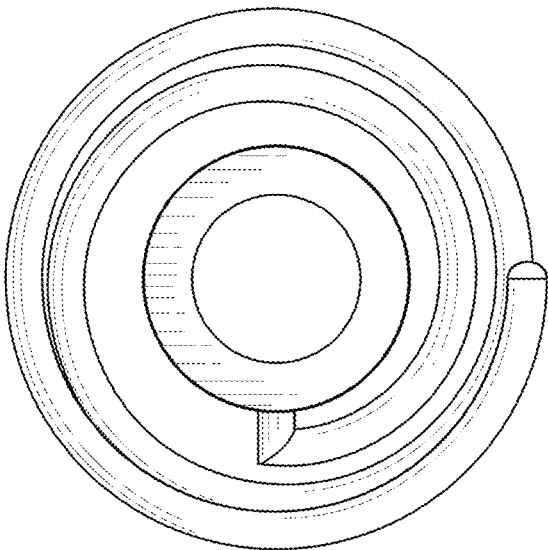


FIG. 7