



US0D1010801S

(12) **United States Design Patent**
Lintner

(10) **Patent No.:** **US D1,010,801 S**

(45) **Date of Patent:** **** Jan. 9, 2024**

(54) **CEILING FAN**

(71) Applicant: **HUNTER FAN COMPANY,**
Memphis, TN (US)

(72) Inventor: **Brian Earl Lintner,** Memphis, TN
(US)

(73) Assignee: **Hunter Fan Company,** Memphis, TN
(US)

(**) Term: **15 Years**

(21) Appl. No.: **29/795,044**

(22) Filed: **Jun. 16, 2021**

(51) **LOC (14) Cl.** **23-04**

(52) **U.S. Cl.**
USPC **D23/377**

(58) **Field of Classification Search**
USPC D23/370, 377, 379, 385, 411-414;
D26/59
CPC F04D 25/088; F04D 29/38; F04D 29/384;
F04D 29/386; F21V 33/0096
See application file for complete search history.

(56) **References Cited**

U.S. PATENT DOCUMENTS

D84,648 S *	7/1931	Primakow	D26/59
D567,421 S	4/2008	Pan		
D579,098 S	10/2008	Hidalgo		
D707,347 S	6/2014	Wang		
D744,080 S	11/2015	Wang		
D804,011 S	11/2017	Holmes et al.		
D804,635 S	12/2017	Holmes		
D810,268 S	2/2018	Holmes		
D810,912 S	2/2018	McRoberts		
D811,574 S	2/2018	McRoberts		
D818,571 S *	5/2018	Hidalgo	D26/59
D833,596 S	11/2018	Schulzman		
D834,698 S	11/2018	Hidalgo		
D855,790 S	8/2019	Badarello		

D878,540 S	3/2020	Holmes		
D878,541 S	3/2020	Holmes et al.		
D899,581 S *	10/2020	Holmes	D23/411
D949,316 S *	4/2022	Eiffert	D23/377
D969,295 S *	11/2022	Holmes Bradley	D23/377
D971,397 S *	11/2022	Lintner	D23/377
D986,404 S *	5/2023	McRoberts	D23/377

(Continued)

OTHER PUBLICATIONS

Hunter Fan, "Devon Park with LED Light 52 inch", <https://www.hunterfan.com/collections/ceiling-fans-with-lights/products/ceiling-fans-devon-park-with-led-light-52-inch-famc45>, accessed Aug. 26, 2020, 20 pages.

(Continued)

Primary Examiner — Sharon S Oum

(74) *Attorney, Agent, or Firm* — McGarry Bair PC

(57) **CLAIM**

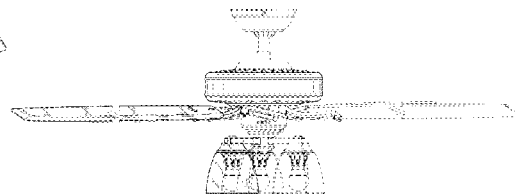
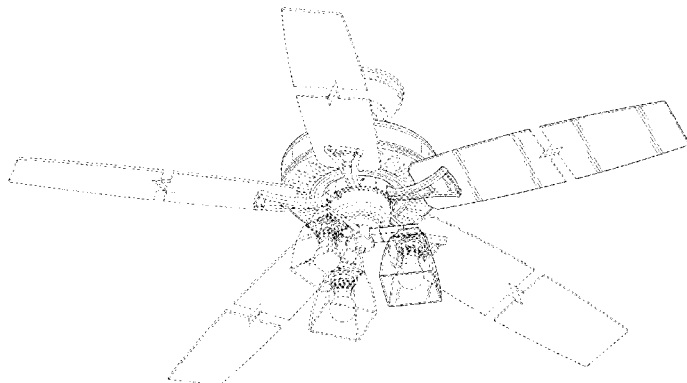
The ornamental design for a ceiling fan, as shown and described.

DESCRIPTION

FIG. 1 is a top perspective view of a ceiling fan, showing my new design.
FIG. 2 is a bottom perspective view thereof;
FIG. 3 is a top view thereof;
FIG. 4 is a bottom view thereof;
FIG. 5 is a front view thereof;
FIG. 6 is a rear view thereof;
FIG. 7 is a right side view thereof; and,
FIG. 8 is a left side view thereof.

Portions of the ceiling fan shown in broken lines form no part of the claimed design. The ceiling fan blades are shown with a symbolic break in their length. The appearance of any portion of the ceiling fan blades between the jagged broken lines forms no part of the claimed design.

1 Claim, 8 Drawing Sheets



(56)

References Cited

U.S. PATENT DOCUMENTS

D986,459 S * 5/2023 Holmes D26/59
 2004/0022636 A1 * 2/2004 Bilskie F04D 29/601
 416/244 R

OTHER PUBLICATIONS

Hunter Fan, “Hartland With Light 52 Inch”, <https://www.hunterfan.com/collections/ceiling-fans-with-lights/products/ceiling-fans-hartland-with-light-52-inch-famc86>, accessed Aug. 26, 2020, 13 pages.
 ceilingfan.com, “Emerson 2¼” Square Teadust Shade (G65)”, <https://www.ceilingfan.com/Emerson-2-25-Glass-Square-Teadust-p/emg65.htm>, accessed Aug. 26, 2020, 2 pages.
 Lowes, “Casablanca 4.625-in H 4.625-in W Frosted Amber Speckled Tinted Glass Square Ceiling Fan Light Shade”, <https://www.lowes.com/pd/Casablanca-4-625-in-H-4-625-in-W-Frosted-Amber-Speckled-Tinted-Glass-Square-Ceiling-Fan-Light-Shade/4743735>, accessed Aug. 26, 2020, 3 pages.
 Hunter Fan, “Vivien with LED Light 52 inch”, <https://www.hunterfan.com/collections/ceiling-fans-with-lights/products/ceiling-fans-vivien-with-led-light-52-inch-famc84>, accessed Aug. 26, 2020, 16 pages.
 Hunter Fan, “Bennett with 3 Lights 52 inch”, <https://www.hunterfan.com/collections/ceiling-fans-with-lights/products/ceiling-fans-bennett-with-3-lights-52-inch-fam788>, accessed Aug. 26, 2020, 15 pages.

Kichler, “Monarch 70” Fan Burnished Antique Pewter”, <https://www.kichler.com/kichler/products/ceiling-fans/indoor-ceiling-fans/70-inch-monarch-ceiling-fan-bap/>, accessed Aug. 26, 2020, 9 pages.
 Kichler, “Monarch™ Patio 70” Fan Matte White”, <https://www.kichler.com/kichler/products/ceiling-fans/indoor-ceiling-fans/70-inch-monarch-ceiling-fan-mwh/1/>, accessed Aug. 26, 2020, 8 pages.
 Quorum International, “Galveston Fan—STN”, https://quoruminternational.com/search_individual_result.asp?current=893388&page=1, accessed Aug. 26, 2020, 3 pages.
 Quorum International, “Breeze 3LT Uni-Pack—NR”, https://quoruminternational.com/search_individual_result.asp?current=895554&page=1 accessed Aug. 26, 2020, 2 pages.
 Quorum International, “Alto 63” Fan—AGB”, https://quoruminternational.com/search_individual_result.asp?current=940111&page=1, accessed Aug. 26, 2020, 2 pages.
 Lowes, Harbor Breeze Cooperstown 62-in Bronze LED Indoor Ceiling Fan with Light Kit (5-Blade), <https://www.lowes.com/pd/Harbor-Breeze-Cooperstown-62-in-Bronze-LED-Indoor-Ceiling-Fan-with-Light-Kit-5-Blade/1003138908>, accessed Aug. 26, 2020, 3 pages.
 Destination Lighting, “Kyle 6 Light Pendant Light Square Shade—Polished Nickel”, <https://www.destinationlighting.com/item/kyle-6-light-pendant-light-square-shade-polished-nickel/P1014554>, accessed Aug. 26, 2020, 1 page.

* cited by examiner

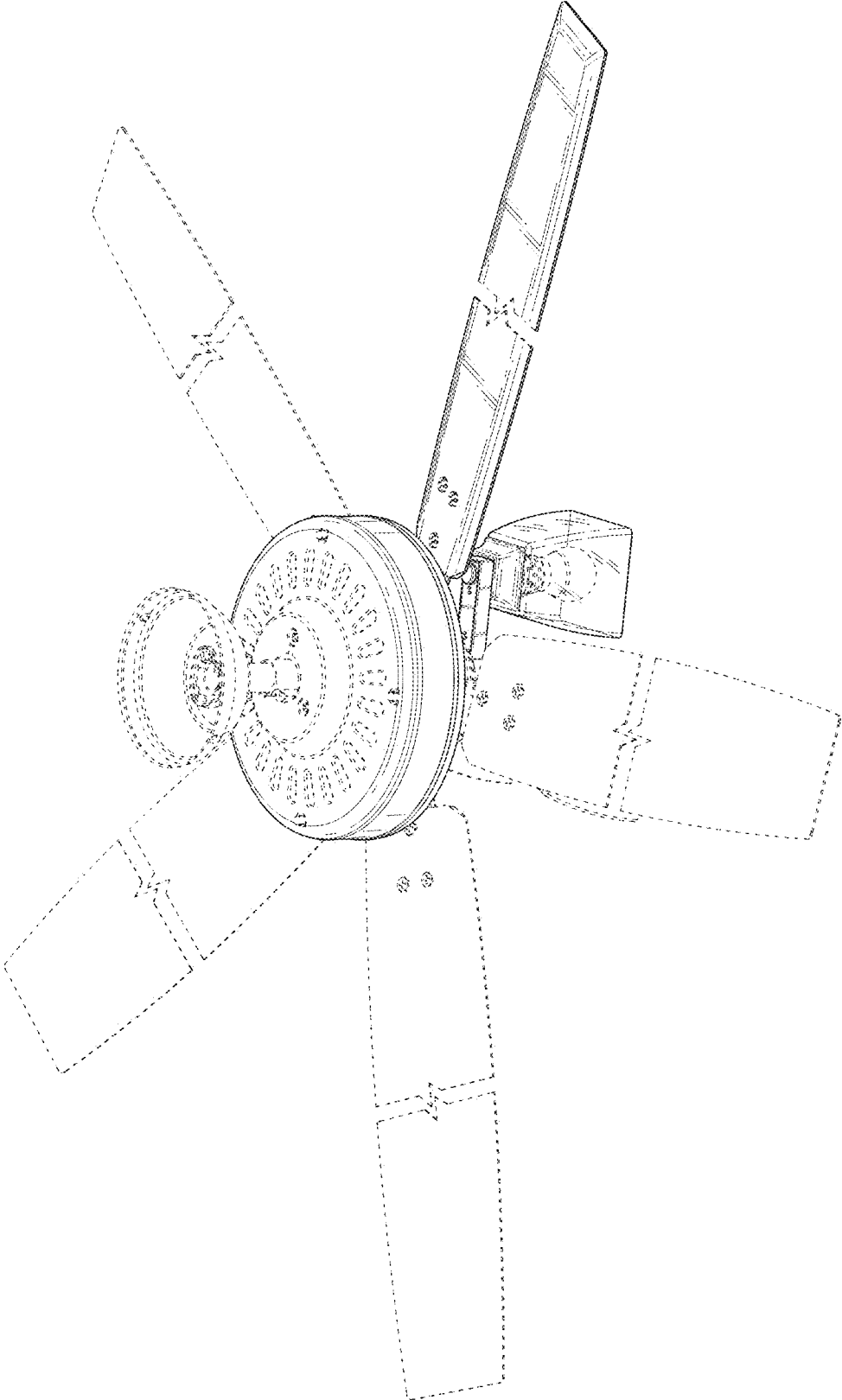


FIG. 1

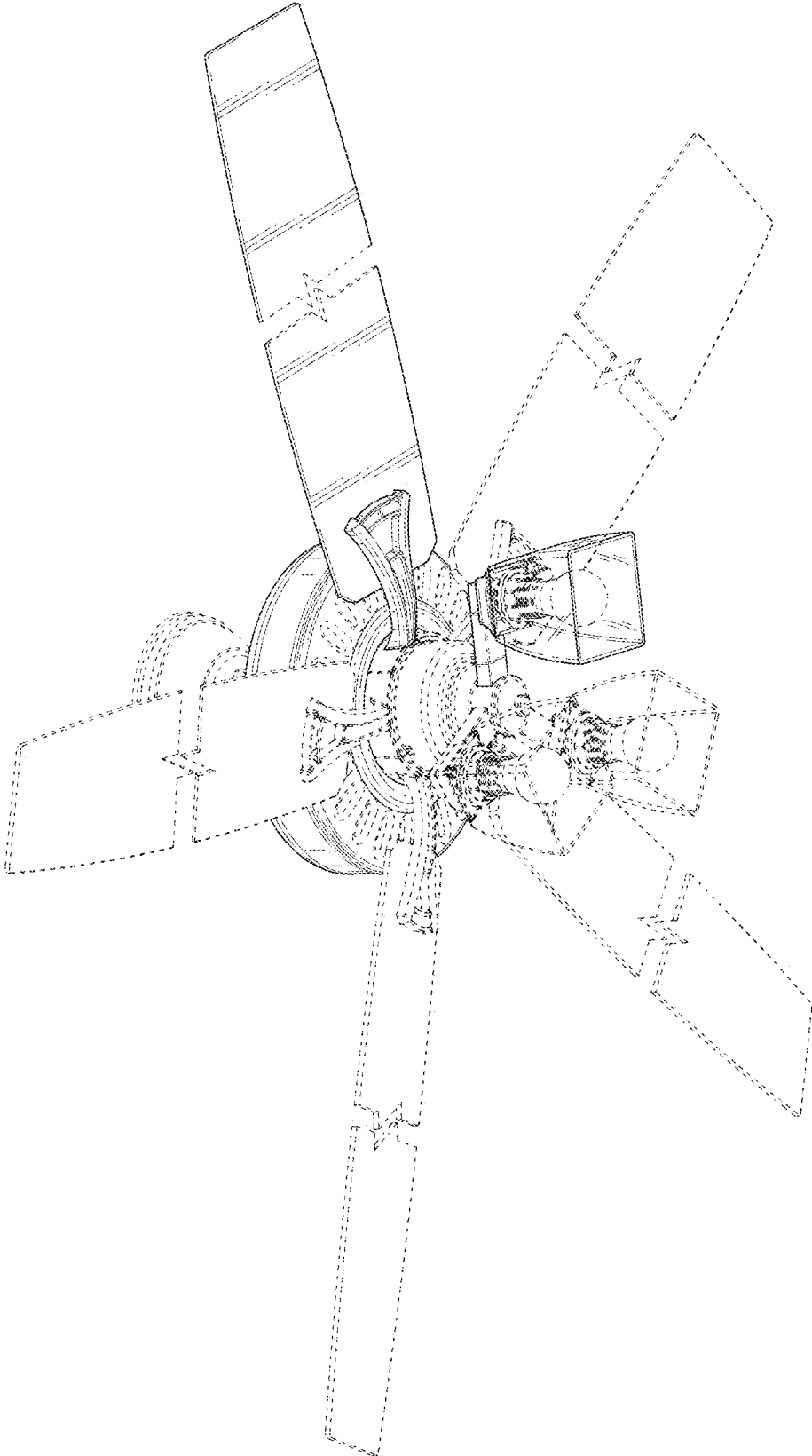


FIG. 2

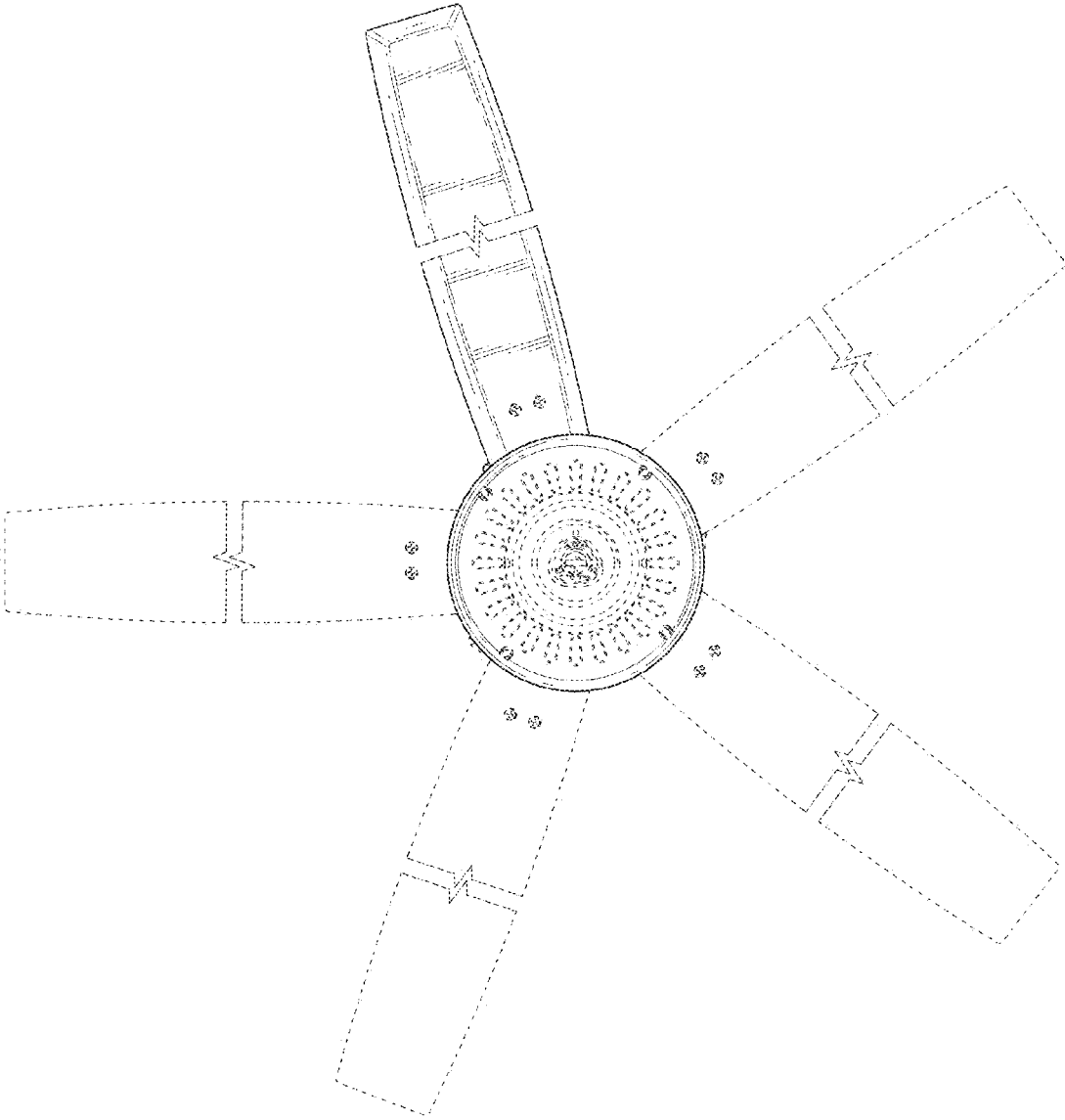


FIG. 3

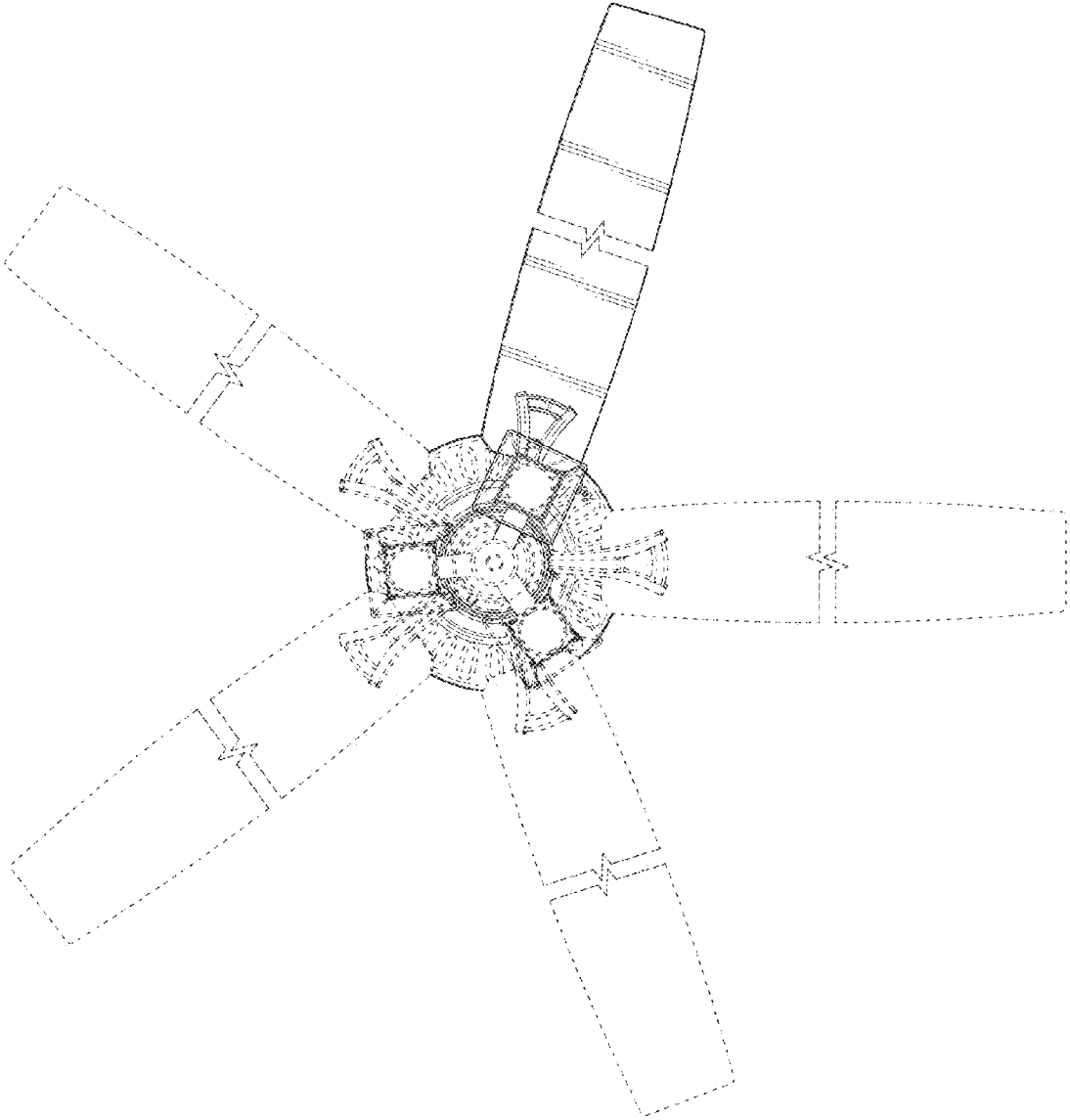


FIG. 4

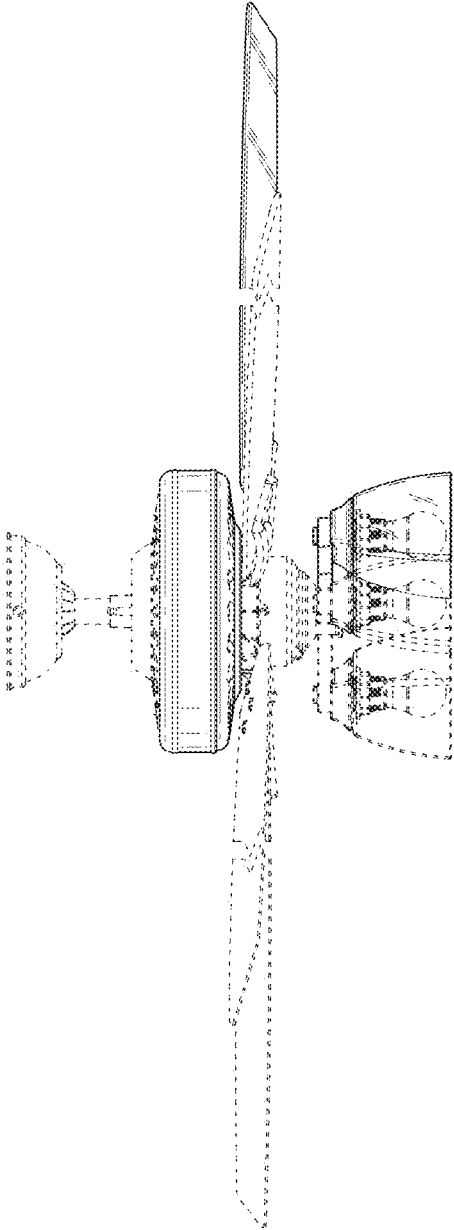


FIG. 5

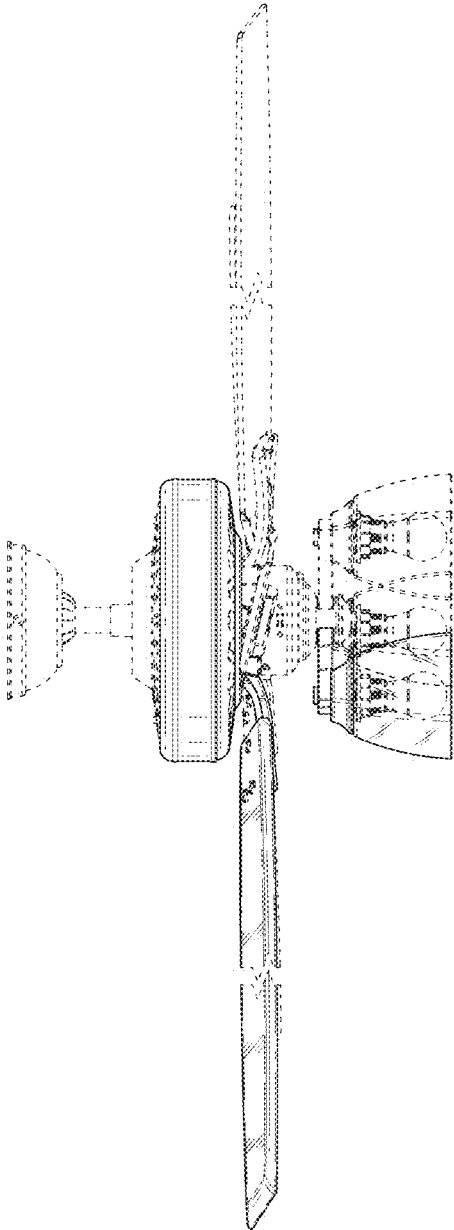


FIG. 6

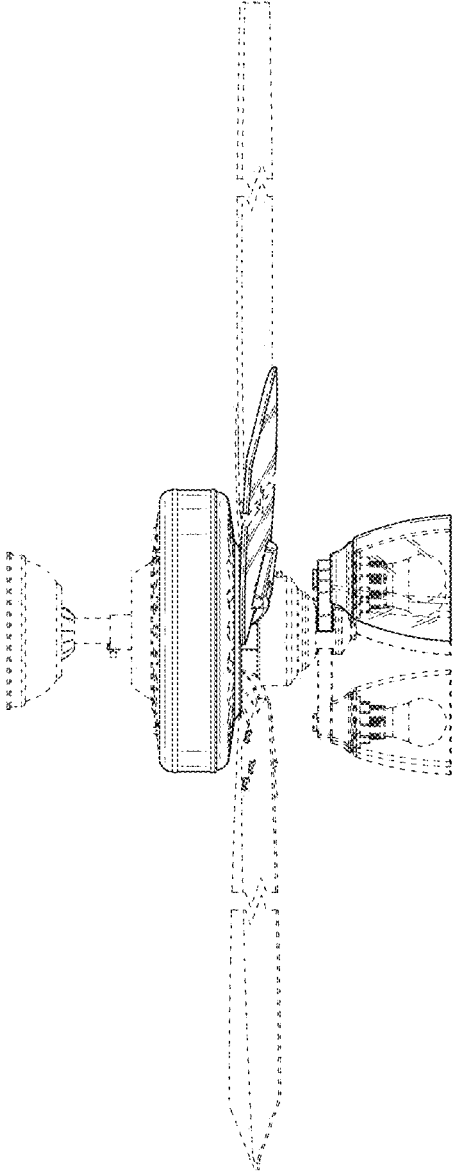


FIG. 7

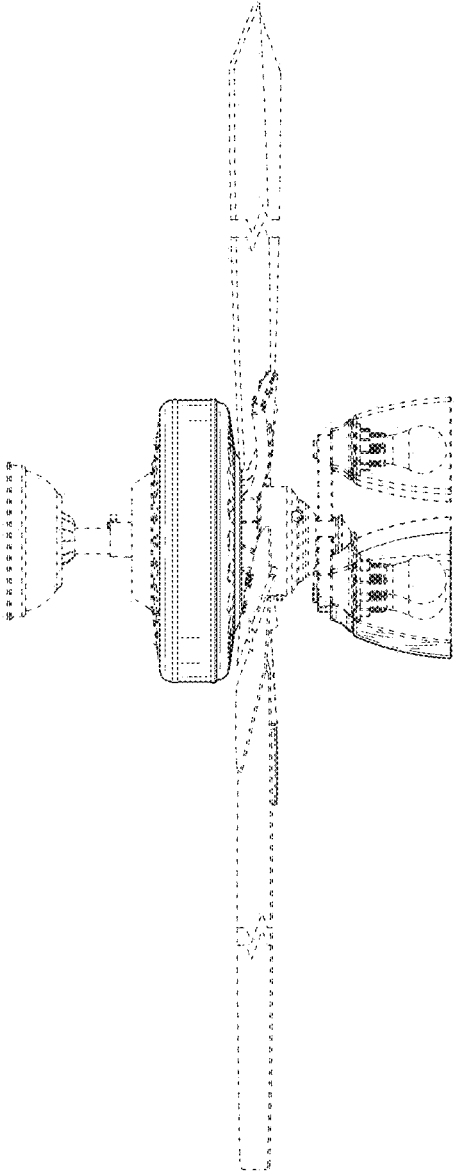


FIG. 8