

(19) World Intellectual Property Organization
International Bureau



(43) International Publication Date
18 May 2006 (18.05.2006)

PCT

(10) International Publication Number
WO 2006/052017 A3

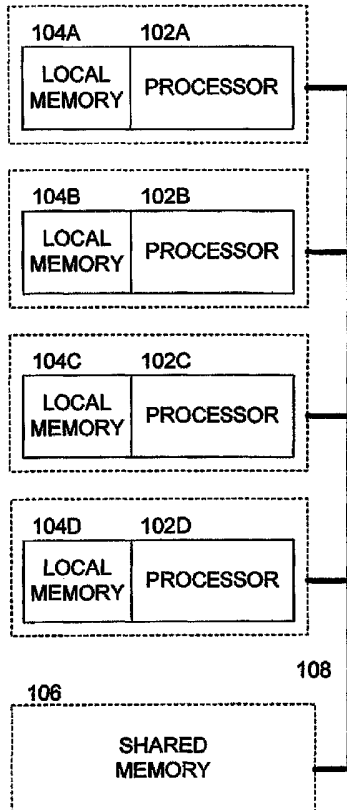
- (51) International Patent Classification:
G06F 21/00 (2006.01)
- (21) International Application Number:
PCT/JP2005/021177
- (22) International Filing Date:
11 November 2005 (11.11.2005)
- (25) Filing Language: English
- (26) Publication Language: English
- (30) Priority Data:
10/985,354 12 November 2004 (12.11.2004) US
- (71) Applicant (for all designated States except US): SONY
COMPUTER ENTERTAINMENT INC. [JP/JP];
2-6-21, Minami-Aoyama, Minato-ku, Tokyo, 1070062 (JP).
- (72) Inventors: SUZUOKI, Masakazu; c/o SONY
COMPUTER ENTERTAINMENT INC., 2-6-21, Mi-
nami-Aoyama, Minato-ku, Tokyo, 1070062 (JP).

- HATAKEYAMA, Akiyuki; c/o SONY COMPUTER ENTERTAINMENT INC., 2-6-21, Minami-Aoyama, Minato-ku, Tokyo, 1070062 (JP).
- (74) Agent: MURATA, Yusuke; 2-11-12, Ebisu-nishi, Shibuya-ku, Tokyo, 1500021 (JP).
- (81) Designated States (unless otherwise indicated, for every kind of national protection available): AE, AG, AL, AM, AT, AU, AZ, BA, BB, BG, BR, BW, BY, BZ, CA, CH, CN, CO, CR, CU, CZ, DE, DK, DM, DZ, EC, EE, EG, ES, FI, GB, GD, GE, GH, GM, HR, HU, ID, IL, IN, IS, JP, KE, KG, KM, KN, KP, KR, KZ, LC, LK, LR, LS, LT, LU, LV, LY, MA, MD, MG, MK, MN, MW, MX, MZ, NA, NG, NI, NO, NZ, OM, PG, PH, PL, PT, RO, RU, SC, SD, SE, SG, SK, SL, SM, SY, TJ, TM, TN, TR, TT, TZ, UA, UG, US, UZ, VC, VN, YU, ZA, ZM, ZW.
- (84) Designated States (unless otherwise indicated, for every kind of regional protection available): ARIPO (BW, GH, GM, KE, LS, MW, MZ, NA, SD, SL, SZ, TZ, UG, ZM, ZW), Eurasian (AM, AZ, BY, KG, KZ, MD, RU, TJ, TM), European (AT, BE, BG, CH, CY, CZ, DE, DK, EE, ES, FI, FR, GB, GR, HU, IE, IS, IT, LT, LU, LV, MC, NL, PL, PT,

[Continued on next page]

(54) Title: METHODS AND APPARATUS FOR SECURE DATA PROCESSING AND TRANSMISSION

100



(57) Abstract: Methods and apparatus for placing a processing unit into one or more of a plurality of operational modes are disclosed wherein: the apparatus includes a local memory, a bus operable to carry information to and from the local memory, one or more arithmetic processing units operable to process data and operatively coupled to the local memory, and a security circuit operable to place the apparatus into the operational modes; and the plurality of operational modes includes a first mode whereby the apparatus and an external device may initiate a transfer of information into or out of the memory over the bus, a second mode whereby neither the apparatus nor the external device may initiate a transfer of information into or out of the memory over the bus, and a third mode whereby the apparatus may initiate a transfer of information into or out of the memory over the bus, but the external device may not initiate a transfer of information into or out of the memory over the bus.

WO 2006/052017 A3



RO, SE, SI, SK, TR), OAPI (BF, BJ, CF, CG, CI, CM, GA,
GN, GQ, GW, ML, MR, NE, SN, TD, TG).

(88) Date of publication of the international search report:
24 August 2006

Published:

- *with international search report*
- *before the expiration of the time limit for amending the claims and to be republished in the event of receipt of amendments*

For two-letter codes and other abbreviations, refer to the "Guidance Notes on Codes and Abbreviations" appearing at the beginning of each regular issue of the PCT Gazette.

INTERNATIONAL SEARCH REPORT

In tional application No
PCT/JP2005/021177

C(Continuation). DOCUMENTS CONSIDERED TO BE RELEVANT		
Category*	Citation of document, with indication, where appropriate, of the relevant passages	Relevant to claim No.
X	<p>EP 1 329 787 A (TEXAS INSTRUMENTS INCORPORATED; TEXAS INSTRUMENTS FRANCE) 23 July 2003 (2003-07-23) abstract; figures 1,2 paragraph [0004] paragraph [0006] paragraph [0008] - paragraph [0009] paragraph [0014] paragraph [0023] paragraph [0025] paragraph [0031] - paragraph [0032] paragraph [0034] - paragraph [0035] paragraph [0082] paragraph [0089]</p>	1,2,9-11
A	-----	18-60
A	<p>US 6 708 273 B1 (OBER TIMOTHY ET AL) 16 March 2004 (2004-03-16)</p>	
A	<p>US 2004/003321 A1 (GLEW ANDREW F ET AL) 1 January 2004 (2004-01-01)</p>	
A	<p>US 6 526 491 B2 (SUZUOKI MASAKAZU ET AL) 25 February 2003 (2003-02-25) cited in the application</p>	
A	<p>WO 01/05086 A (BROADCOM CORPORATION; KRISHNA, SURESH; OWEN, CHRISTOPHER; LIN, DERRICK) 18 January 2001 (2001-01-18) abstract; figures 1A,1B,2 page 6, line 16 - line 30 page 7, line 16 - line 33 page 8, line 4 - line 29</p>	18-60
A	<p>US 4 633 388 A (CHIU ET AL) 30 December 1986 (1986-12-30) the whole document</p>	18-60

INTERNATIONAL SEARCH REPORT

International application No.
PCT/JP2005/021177

Box II Observations where certain claims were found unsearchable (Continuation of item 2 of first sheet)

This International Search Report has not been established in respect of certain claims under Article 17(2)(a) for the following reasons:

1. Claims Nos.:
because they relate to subject matter not required to be searched by this Authority, namely:

2. Claims Nos.:
because they relate to parts of the International Application that do not comply with the prescribed requirements to such an extent that no meaningful International Search can be carried out, specifically:

3. Claims Nos.:
because they are dependent claims and are not drafted in accordance with the second and third sentences of Rule 6.4(a).

Box III Observations where unity of invention is lacking (Continuation of item 3 of first sheet)

This International Searching Authority found multiple inventions in this international application, as follows:

see additional sheet

1. As all required additional search fees were timely paid by the applicant, this International Search Report covers all searchable claims.

2. As all searchable claims could be searched without effort justifying an additional fee, this Authority did not invite payment of any additional fee.

3. As only some of the required additional search fees were timely paid by the applicant, this International Search Report covers only those claims for which fees were paid, specifically claims Nos.:

4. No required additional search fees were timely paid by the applicant. Consequently, this International Search Report is restricted to the invention first mentioned in the claims; it is covered by claims Nos.:

Remark on Protest

- The additional search fees were accompanied by the applicant's protest.
- No protest accompanied the payment of additional search fees.

FURTHER INFORMATION CONTINUED FROM PCT/ISA/ 210

This International Searching Authority found multiple (groups of) inventions in this international application, as follows:

1. claims: 1-17

Storage for first and second keys within the security circuit

2. claims: 18-60

A decryption unit within each of a plurality of processing units

INTERNATIONAL SEARCH REPORT

Information on patent family members

International application No

PCT/JP2005/021177

Patent document cited in search report		Publication date	Patent family member(s)	Publication date
EP 0308219	A	22-03-1989	AU 2228288 A	23-03-1989
			CA 1310136 C	10-11-1992
			DK 519988 A	19-03-1989
			JP 2083733 A	23-03-1990
			NO 884086 A	20-03-1989
			US 5134700 A	28-07-1992
			US 6708273	B1
US 2004003321	A1	01-01-2004	NONE	
US 6526491	B2	25-02-2003	CN 1496511 A	12-05-2004
			EP 1370948 A1	17-12-2003
			WO 02077826 A1	03-10-2002
			JP 3454808 B2	06-10-2003
			JP 2002342165 A	29-11-2002
			JP 2003303134 A	24-10-2003
			TW 556087 B	01-10-2003
			US 2003229765 A1	11-12-2003
			US 2002138701 A1	26-09-2002
			WO 0105086	A
AU 6342500 A	30-01-2001			
EP 1192781 A2	03-04-2002			
EP 1192782 A2	03-04-2002			
WO 0105087 A2	18-01-2001			
US 4633388	A	30-12-1986	EP 0155399 A2	25-09-1985