



US00D651519S

(12) **United States Design Patent**
Gibson et al.

(10) **Patent No.:** **US D651,519 S**

(45) **Date of Patent:** **** Jan. 3, 2012**

(54) **TOBACCO BOX**

(75) Inventors: **Paul Gibson**, London (GB); **Aaron McKenzie**, London (GB)

(73) Assignee: **British American Tobacco (Investments) Limited**, London (GB)

(**) Term: **14 Years**

(21) Appl. No.: **29/392,569**

(22) Filed: **May 24, 2011**

Related U.S. Application Data

(62) Division of application No. 29/342,586, filed on Aug. 27, 2009, now Pat. No. Des. 640,545.

(30) **Foreign Application Priority Data**

Mar. 3, 2009 (EM) 001100408

(51) **LOC (9) Cl.** **09-03**

(52) **U.S. Cl.** **D9/529; D9/428**

(58) **Field of Classification Search** 222/92;
206/6.1, 5.1, 303, 530-538, 566, 581, 823,
206/459.5; 220/8, 4.26, 4.27, 253, 288, 376,
220/380, 907; 229/4.5; 132/293-294, 315;
D28/7-8, 76-82; D3/203.1-203.8, 201,
D3/205; D9/428, 414, 420-424, 503, 504,
D9/521, 337, 780

See application file for complete search history.

(56) **References Cited**

U.S. PATENT DOCUMENTS

4,098,421	A *	7/1978	Foster	215/321
4,165,815	A *	8/1979	Vetter	220/4.27
H001855	H *	8/2000	Litton et al.	D28/82
D503,889	S *	4/2005	Yeung	D9/549
D515,426	S *	2/2006	Pace et al.	D9/504
D531,036	S *	10/2006	Bried et al.	D9/504
D599,953	S *	9/2009	Gibson et al.	D27/190
D621,603	S *	8/2010	Traylor	D3/203.2
D625,047	S *	10/2010	Gibson et al.	D27/183
D626,687	S *	11/2010	Gibson et al.	D27/183
D640,545	S *	6/2011	Gibson et al.	D9/428
D640,546	S *	6/2011	Berggren	D9/428
2010/0012534	A1 *	1/2010	Hoffman	206/265

* cited by examiner

Primary Examiner — Thomas Johannes

(74) *Attorney, Agent, or Firm* — Walter G. Hanchuk; Chadbourne & Parke LLP

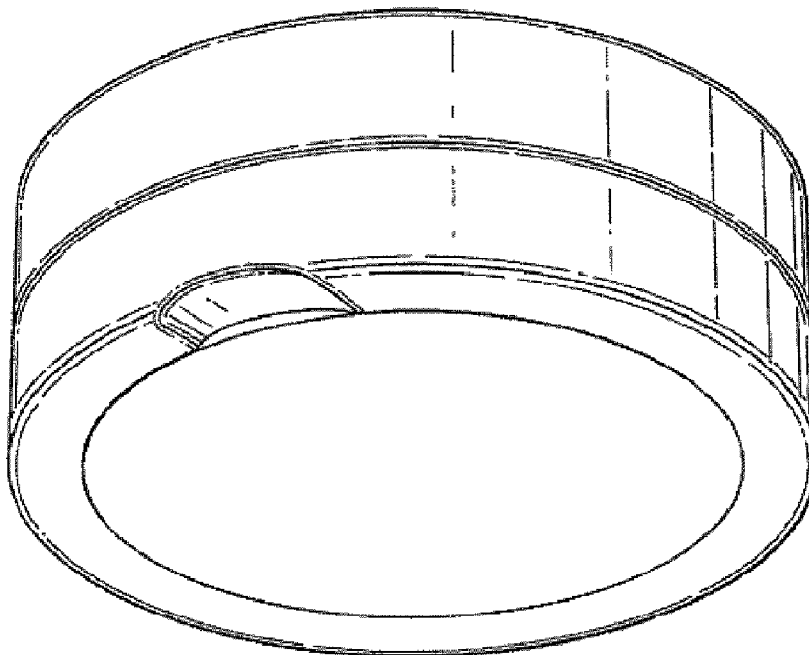
(57) **CLAIM**

The ornamental design for a tobacco box, as shown and described.

DESCRIPTION

FIG. 1 provides a bottom right front perspective view showing our the new design of a tobacco box; FIG. 2 provides a top plan view thereof; FIG. 3 provides a bottom plan view thereof; FIG. 4 provides a side elevation view thereof; and, FIG. 5 provides a front elevation view thereof.

1 Claim, 2 Drawing Sheets



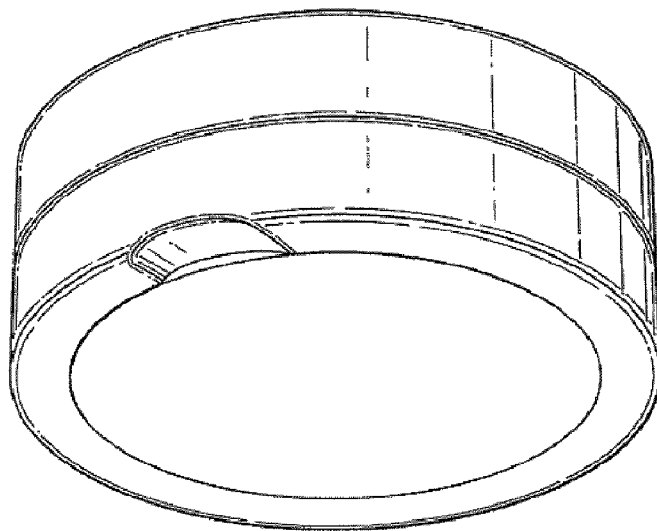


Fig. 1

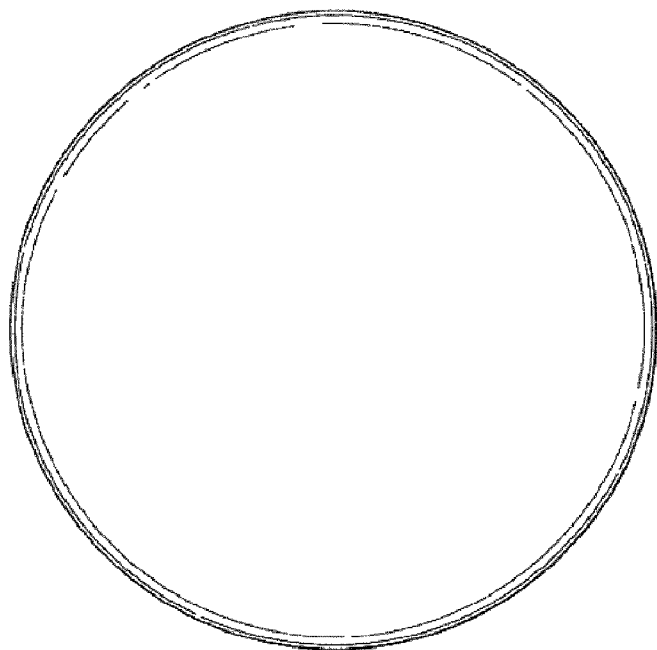


Fig. 2

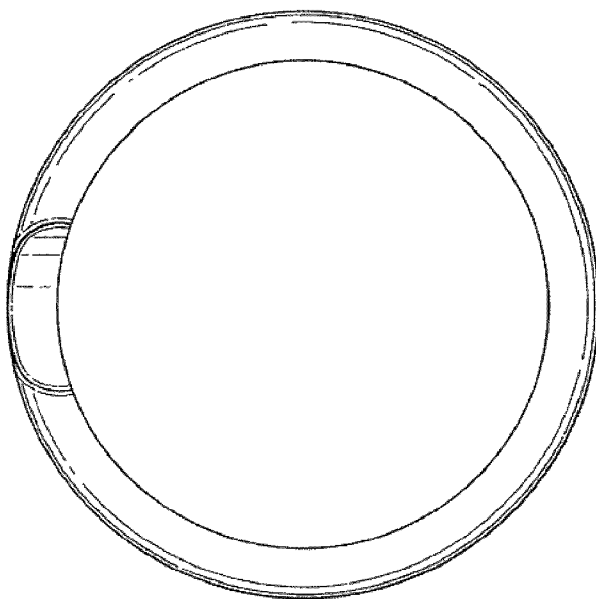


Fig. 3

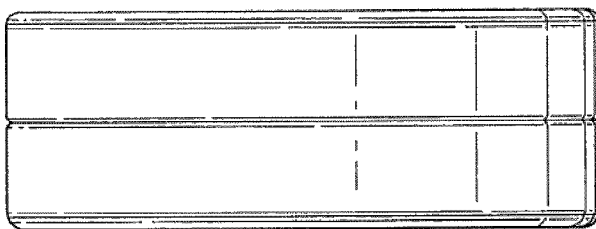


Fig. 4

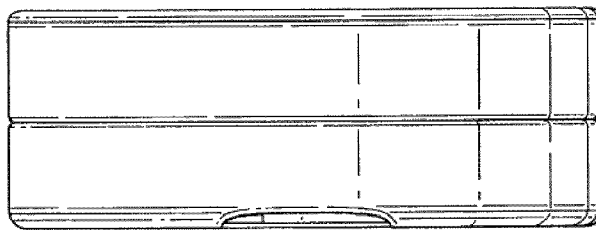


Fig. 5

UNITED STATES PATENT AND TRADEMARK OFFICE
CERTIFICATE OF CORRECTION

PATENT NO. : D651,519 S
APPLICATION NO. : 29/392569
DATED : January 3, 2012
INVENTOR(S) : Paul Gibson and Aaron McKenzie

Page 1 of 1

It is certified that error appears in the above-identified patent and that said Letters Patent is hereby corrected as shown below:

On the cover page

DESCRIPTION, should read:

--FIG. 1 provides a bottom right front perspective view showing our [[the]] new design of a tobacco box;--

Signed and Sealed this
Nineteenth Day of June, 2012

A handwritten signature in black ink that reads "David J. Kappos". The signature is written in a cursive style with a large, prominent "D" at the beginning.

David J. Kappos
Director of the United States Patent and Trademark Office