



US00D397173S

# United States Patent [19]

Edell

[11] Patent Number: Des. 397,173

[45] Date of Patent: \*\*Aug. 18, 1998

[54] FACIAL EXERCISER

4,671,260 6/1987 Buckner ..... 600/242

[75] Inventor: Drew Edell, Little Falls, N.J.

### OTHER PUBLICATIONS

[73] Assignee: CCA Industries, Inc., East Rutherford, N.J.

Dr. Leonard's Healthcare Catalog, p. 5, Face Toner, Mar. 1997.

[\*\*] Term: 14 Years

Primary Examiner—Philip S. Hyder  
Attorney, Agent, or Firm—Fattibene and Fattibene; Arthur T. Fattibene; Paul A. Fattibene

[21] Appl. No.: 71,478

### [57] CLAIM

[22] Filed: May 30, 1997

The ornamental design for a facial exerciser, as shown and described.

[51] LOC (6) Cl. .... 21-02

[52] U.S. Cl. .... D21/191

[58] Field of Search ..... D21/191, 198;  
D24/135, 200; 482/11, 121, 122, 124; 600/38,  
242; 606/204.15

### DESCRIPTION

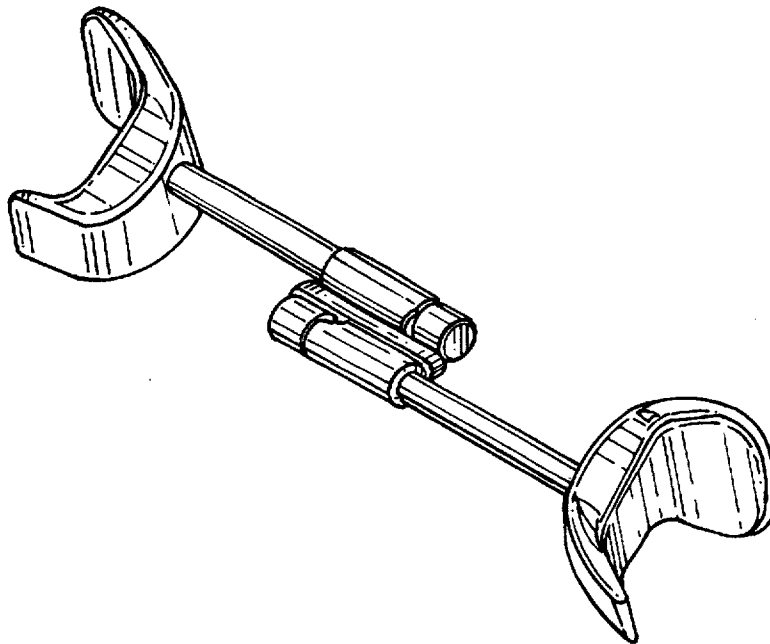
### [56] References Cited

#### U.S. PATENT DOCUMENTS

770,853	9/1904	Hare	600/242
3,938,508	2/1976	Buckner	600/242
4,200,089	4/1980	Inoue	600/242
4,280,696	7/1981	Ramon	482/122

FIG. 1 is a top perspective view of a facial exerciser showing my new design;  
FIG. 2 is a right end view thereof, the other end view being identical;  
FIG. 3 is a top plan view thereof;  
FIG. 4 is a front elevation view thereof;  
FIG. 5 is a bottom plan view thereof; and,  
FIG. 6 is a back view thereof.

1 Claim, 1 Drawing Sheet



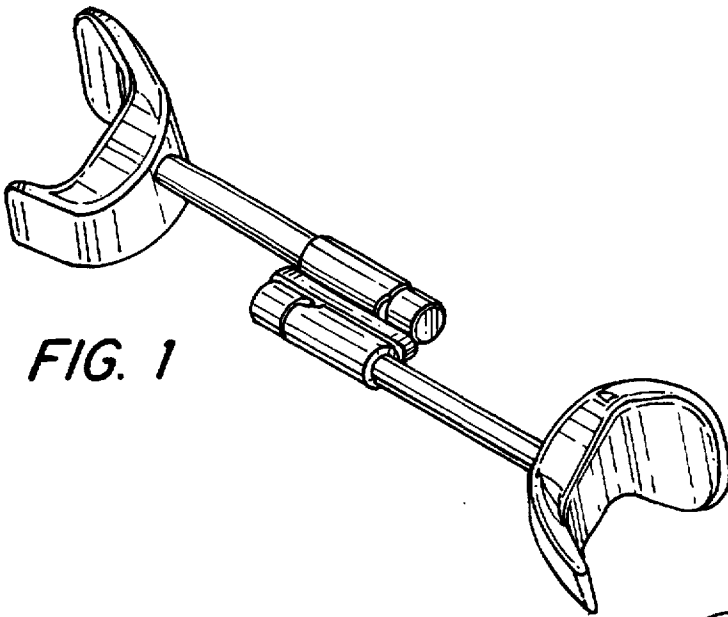


FIG. 1

FIG. 2

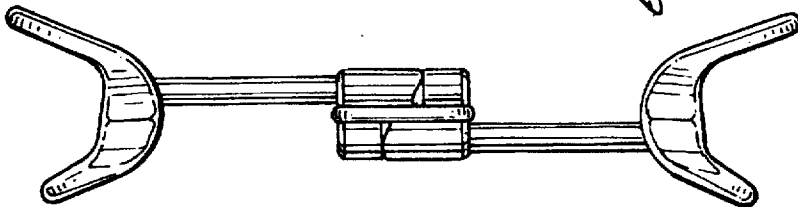
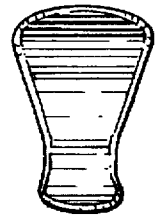


FIG. 3

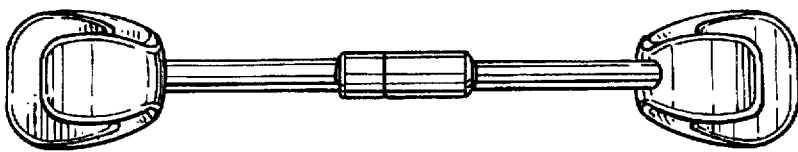


FIG. 4

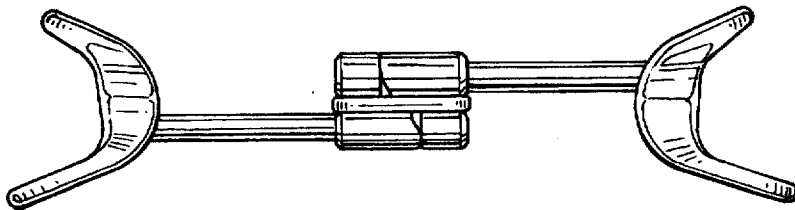


FIG. 5

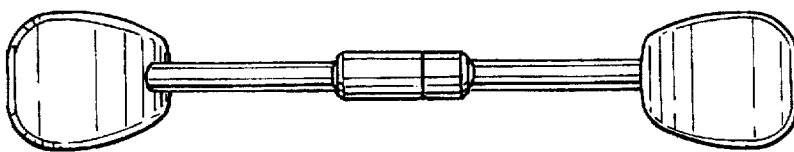


FIG. 6