



US0D1025845S

(12) **United States Design Patent**
Brenner et al.

(10) **Patent No.:** **US D1,025,845 S**

(45) **Date of Patent:** **** May 7, 2024**

(54) **WHEELCHAIR**

(71) Applicant: **Invacare International GmbH**,
Witterswill (CH)

(72) Inventors: **Simon Brenner**, Basel (CH); **Martin Hunig**, Reinach (CH); **Michael Zeltner**, Arlesheim (CH)

(73) Assignee: **Invacare International GmbH** (CH)

(**) Term: **15 Years**

(21) Appl. No.: **29/874,705**

(22) Filed: **Apr. 24, 2023**

Related U.S. Application Data

(60) Division of application No. 29/787,468, filed on Jun. 7, 2021, now Pat. No. Des. 984,327, which is a continuation of application No. 35/506,979, filed on Mar. 7, 2019 (U.S. filing date under 35 U.S.C. 384), and having an international filing date of Mar. 7, 2019, now Pat. No. Des. 921,542.

Foreign Application Priority Data

Sep. 14, 2018 (WO) WIPO075462

(51) **LOC (14) Cl.** **12-12**

(52) **U.S. Cl.**
USPC **D12/131**

(58) **Field of Classification Search**
USPC D12/128-133
CPC A61G 5/00-14; A61G 5/041-047; A61G 2005/048

See application file for complete search history.

(56) **References Cited**

U.S. PATENT DOCUMENTS

D413,554 S * 9/1999 Schlangen D12/131
D443,563 S * 6/2001 Johnson D12/131

D462,639 S * 9/2002 Lin D12/131
D475,952 S * 6/2003 Nelson D12/131
D494,110 S * 8/2004 Cheng D12/131
D503,364 S * 3/2005 Miura D12/131
D530,650 S * 10/2006 Azuma D12/131
D556,647 S * 12/2007 Yamagishi D12/131

(Continued)

OTHER PUBLICATIONS

“Invacare Top End Terminator Wheelchair.” Lewin Medical Supply, Nov. 16, 2022 [online], [retrieved on Oct. 18, 2023]. Retrieved from the Internet <URL: <https://lewinmedical.com/product/invacare-top-end-terminator-everyday-wheelchair/>>.*

(Continued)

Primary Examiner — Darlington Ly

(74) *Attorney, Agent, or Firm* — Calfee, Halter & Griswold LLP

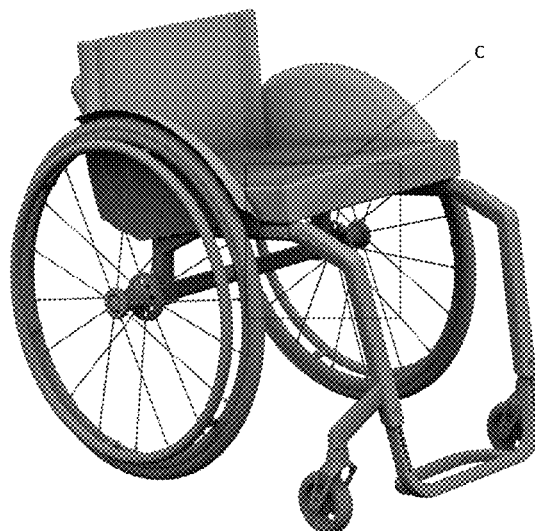
(57) **CLAIM**

The ornamental design for a wheelchair, as shown and described.

DESCRIPTION

FIG. 1 is a front elevation view of a wheelchair embodying our new design;
FIG. 2 is a rear elevation view thereof;
FIG. 3 is a right side elevation view thereof;
FIG. 4 is an enlarged and partial right side elevation view thereof for portion in Box A as shown in FIG. 3;
FIG. 5 is a left side elevation view thereof;
FIG. 6 is an enlarged and partial left side elevation view thereof for portion in Box B as shown in FIG. 5;
FIG. 7 is a top plan view thereof;
FIG. 8 is a bottom plan view thereof;
FIG. 9 is a front and right side perspective view thereof;
FIG. 10 is a front and right side perspective view thereof for portion in Box C as shown in FIG. 9; and,
FIG. 11 is a rear and right side perspective view thereof.

1 Claim, 11 Drawing Sheets



(56)

References Cited

U.S. PATENT DOCUMENTS

D561,651 S * 2/2008 Yamagishi D12/131
 D585,794 S * 2/2009 Lin D12/131
 D604,208 S * 11/2009 Perk D12/131
 D621,307 S * 8/2010 Kagi D12/131
 D627,270 S * 11/2010 Kretschmer D12/131
 D647,426 S * 10/2011 Ward D12/1
 D673,083 S * 12/2012 Daff D12/133
 D745,441 S * 12/2015 Ohruh D12/131
 D770,331 S * 11/2016 Gabriely D12/131
 D786,740 S * 5/2017 Abe D12/128
 D788,652 S * 6/2017 Mutsuro D12/131
 D793,289 S * 8/2017 Jahkel D12/128
 9,770,376 B2 * 9/2017 Robins A61G 5/02
 2017/0367911 A1 * 12/2017 Vermij A61G 5/023
 2019/0314228 A1 * 10/2019 Horacek A61G 5/0891
 2021/0283952 A1 * 9/2021 Cooper B60B 33/025
 2022/0040014 A1 * 2/2022 Zeltner A61G 5/1054
 2022/0378633 A1 * 12/2022 Alvarez A61G 5/128
 2023/0233387 A1 * 7/2023 Garven, Jr. A61G 5/128
 280/281.1

OTHER PUBLICATIONS

“Meyra Nano: Rigid-Frame Active Manual Wheelchair.” Meyra., Sep. 28, 2018 [online], [retrieved on Oct. 18, 2023]. Retrieved from the Internet <URL: <https://www.meyraaustralia.com.au/wp-content/uploads/2020/01/6fbb2d5cbe1f4770594452aa8c803b568f891d.pdf>>.*
 “TiLite Transit Tie-Down Option.” Spinlife., Aug. 25, 2015 [online], [retrieved on Oct. 18, 2023]. Retrieved from the Internet <URL: https://www.spinlife.com/files/AeroX2_Transit_Option.pdf>.*
 “TiLite Chair Comparison.” Southwest Medical., May 5, 2017 [online], [retrieved on Oct. 18, 2023]. Retrieved from the Internet <URL: <https://cdn.southwestmedical.com/uploads/application/pdf/2/d/2d60a141-c4af-5bf7-afea-c3e83486df4d-TiLite-Chair-Comparison.pdf>>.*

* cited by examiner



FIG. 1



FIG. 2

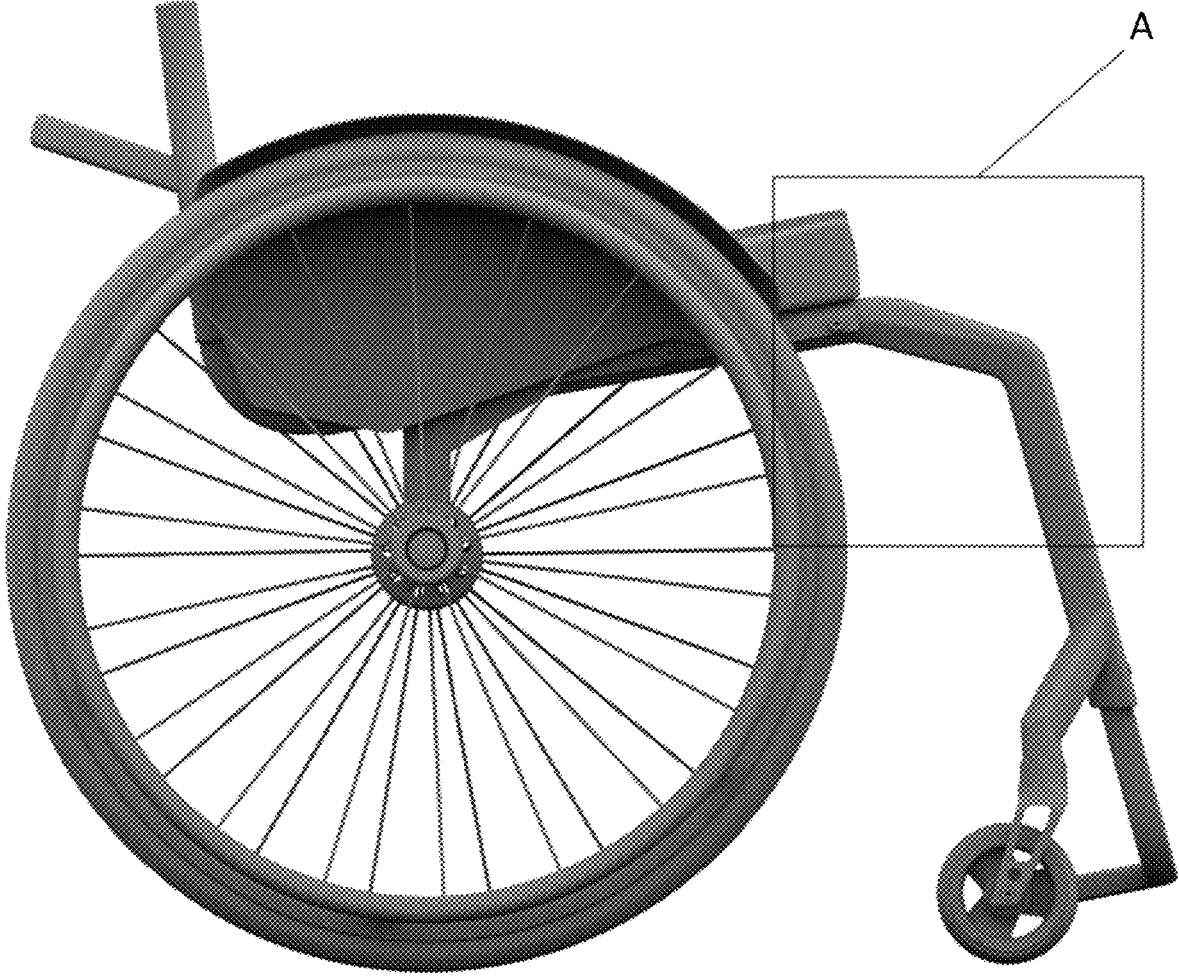


FIG. 3



FIG. 4

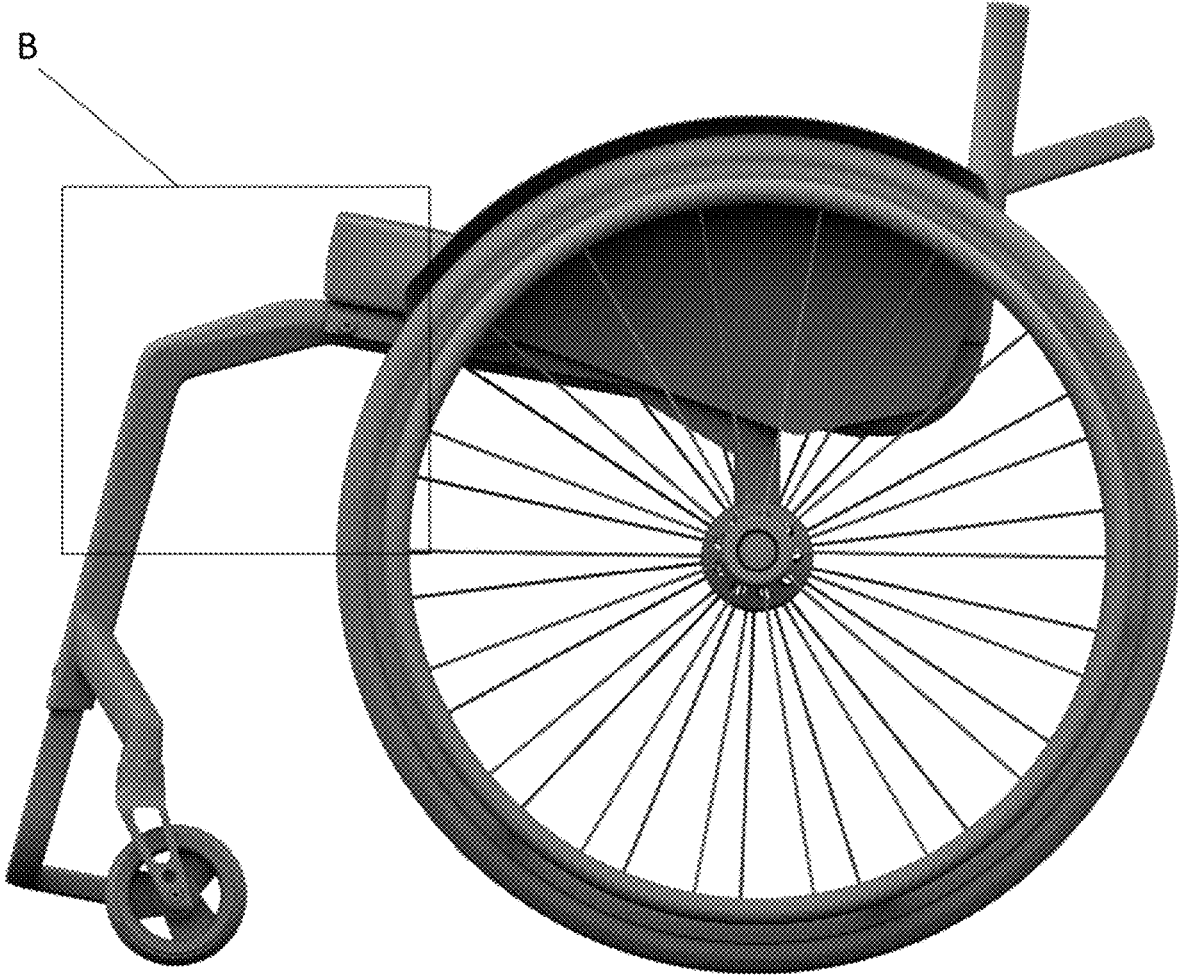


FIG. 5



FIG. 6

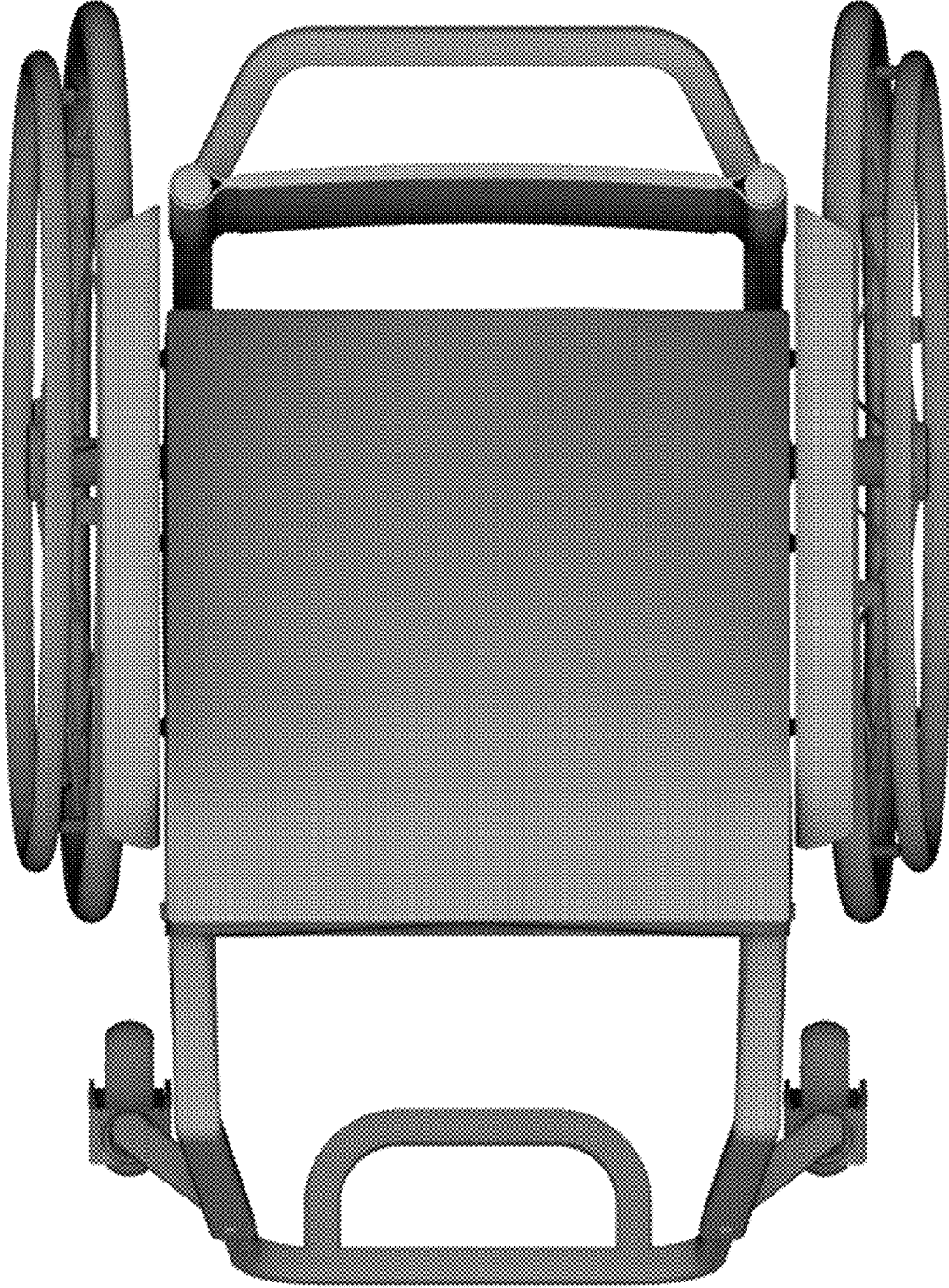


FIG. 7

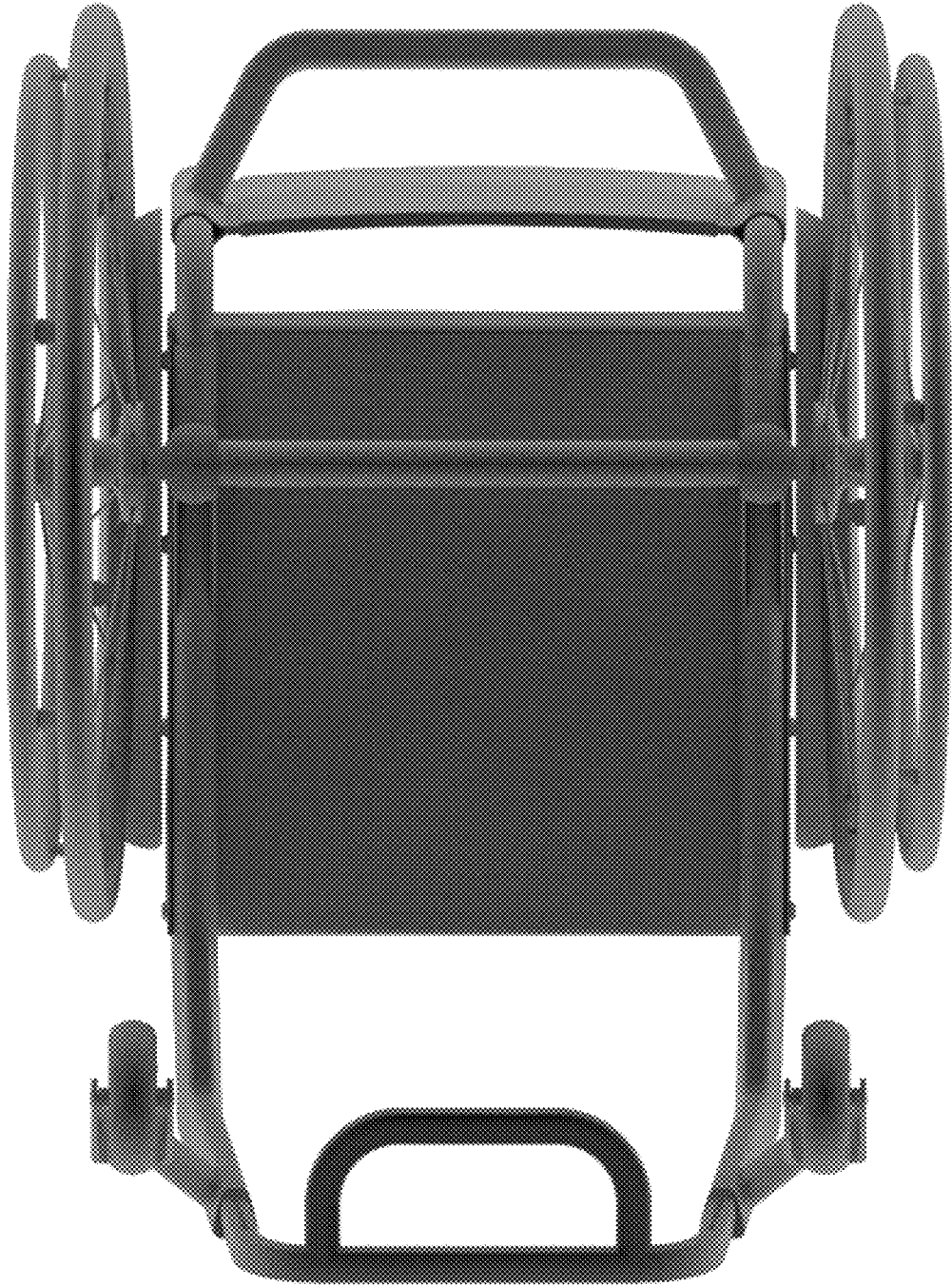


FIG. 8

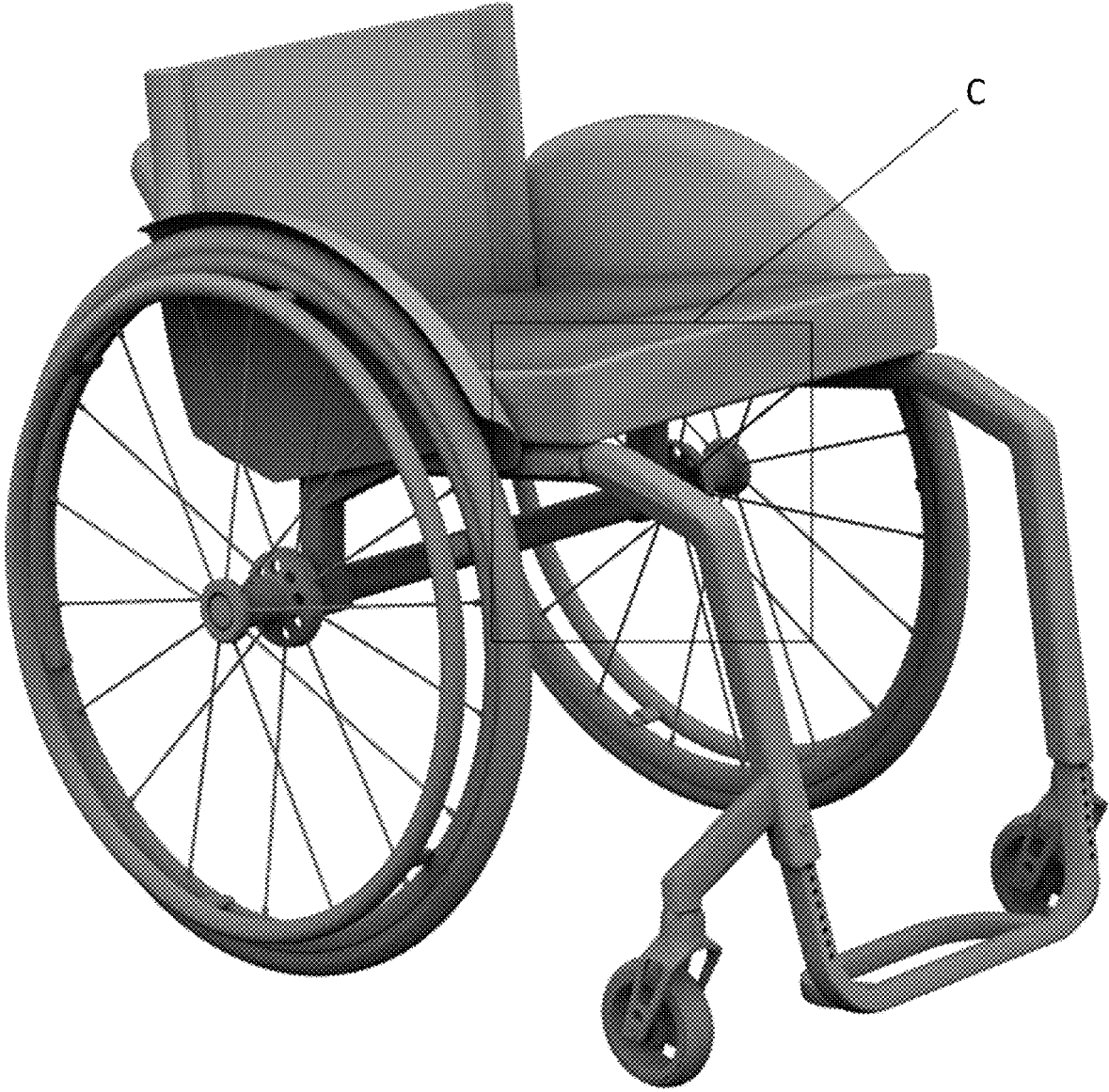


FIG. 9



FIG. 10

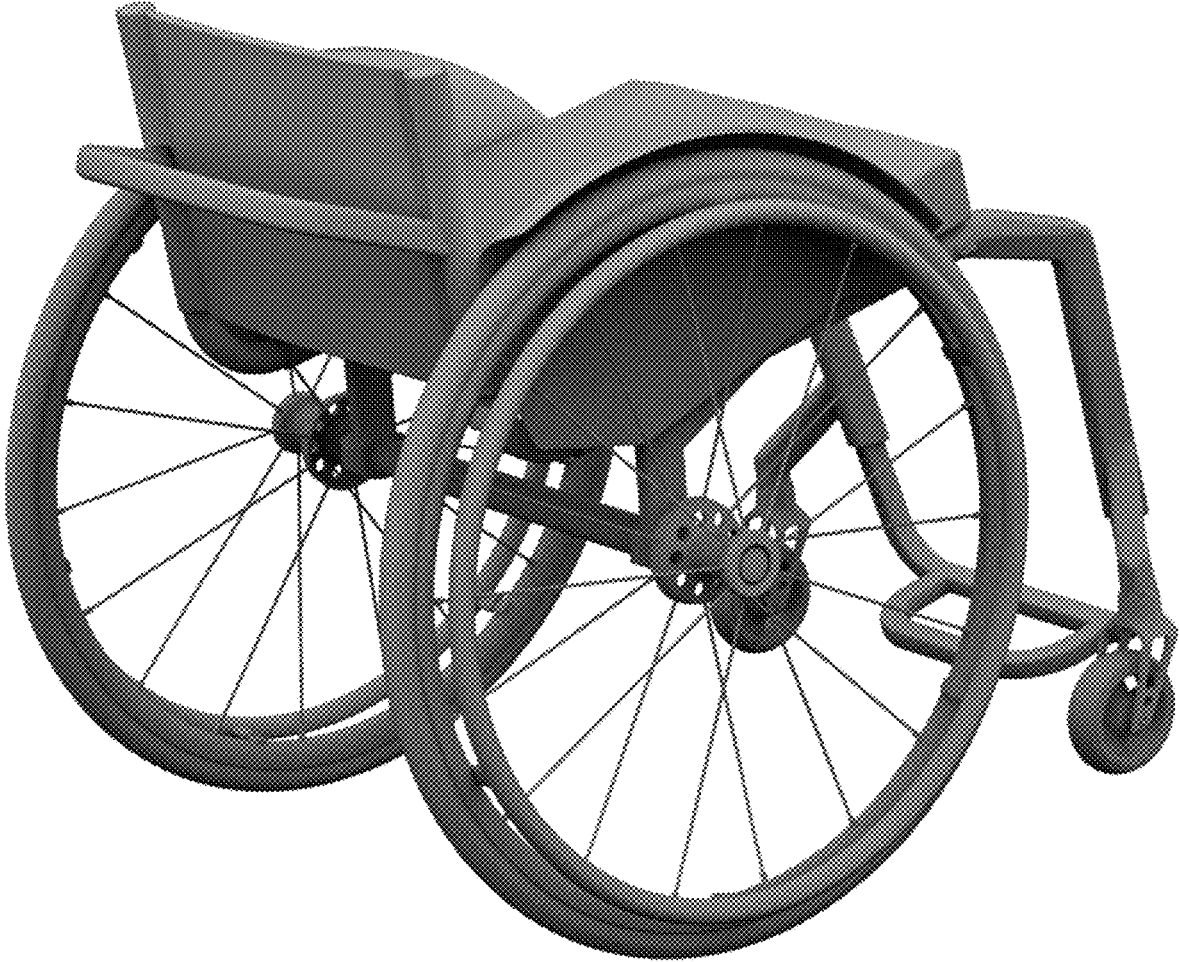


FIG. 11