



US00D893100S

(12) **United States Design Patent**  
**Thurswell et al.**

(10) **Patent No.:** **US D893,100 S**

(45) **Date of Patent:** **\*\* Aug. 11, 2020**

(54) **PONYTAIL VOLUMIZER**

(71) Applicant: **Wouldn't It Be Nice LLC**, Plymouth, MI (US)

(72) Inventors: **Cassandra Thurswell**, Los Angeles, CA (US); **Ashley Salassi Hunker**, Los Angeles, CA (US); **Stephan Hunker**, Los Angeles, CA (US)

(73) Assignee: **Wouldn't It Be Nice LLC**, Plymouth, MI (US)

(\*\*) Term: **15 Years**

(21) Appl. No.: **29/725,527**

(22) Filed: **Feb. 25, 2020**

(51) **LOC (12) Cl.** ..... **28-03**

(52) **U.S. Cl.** ..... **D28/43**  
USPC .....

(58) **Field of Classification Search**  
USPC ..... D28/31-34, 39-43; D19/34, 65; D8/395; D9/434, 443

CPC ... A45D 8/24; A45D 8/26; A45D 8/28; A45D 8/30; A45D 8/32; A45D 8/34; A45D 8/36; A45D 8/38; A45D 8/40

See application file for complete search history.

(56) **References Cited**

**U.S. PATENT DOCUMENTS**

537,542 A	4/1895	Moore
754,206 A	3/1904	Edgar
2,388,628 A	11/1945	Wormington
2,537,728 A	1/1951	Wright
2,682,878 A	7/1954	Pisciotta
2,825,344 A	3/1958	Lenois
3,388,709 A	6/1968	Morris
3,533,418 A	10/1970	DeMestral
3,747,610 A	7/1973	Serrat
D248,075 S	6/1978	Daenen
5,289,834 A	3/1994	Lawrence

5,664,589 A	9/1997	Black	
5,706,836 A	1/1998	McKeown	
5,826,598 A	10/1998	Meehan	
6,311,699 B1	11/2001	Horman	
7,017,589 B1	3/2006	Minnelli	
D587,402 S *	2/2009	Priester .....	D2/889
D588,341 S *	3/2009	Turner .....	D2/891
7,963,289 B1	6/2011	King	

(Continued)

**FOREIGN PATENT DOCUMENTS**

EP	2916683 B1	7/2018
GB	2510906 A	8/2014

(Continued)

*Primary Examiner* — Zenia I Bennett

(74) *Attorney, Agent, or Firm* — Brooks Kushman P.C.

(57) **CLAIM**

The ornamental design for a ponytail volumizer, as shown and described.

**DESCRIPTION**

FIG. 1 is a front perspective view of a ponytail volumizer according to an embodiment;

FIG. 2 is a top elevational view of the ponytail volumizer of FIG. 1;

FIG. 3 is a bottom elevational view of the ponytail volumizer of FIG. 1;

FIG. 4 is a front elevational view of the ponytail volumizer of FIG. 1;

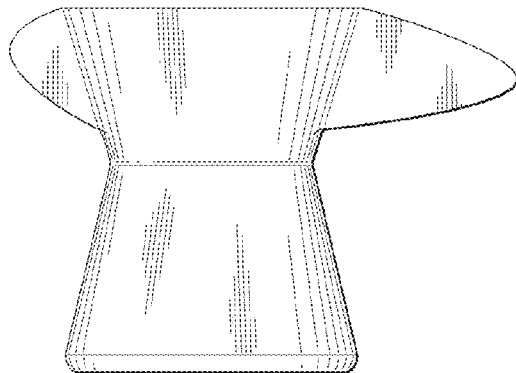
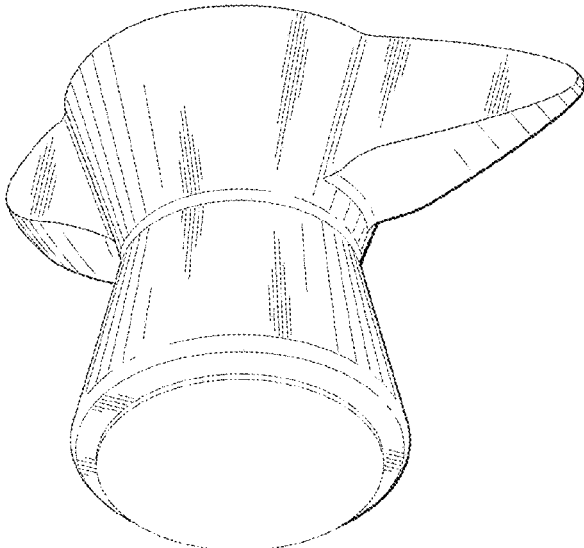
FIG. 5 is a back elevational view of the ponytail volumizer of FIG. 1;

FIG. 6 is a right side view of the ponytail volumizer of FIG. 1; and,

FIG. 7 is a left side view of the ponytail volumizer of FIG. 1.

The broken lines are for illustrative purposes only and form no part of the claimed design.

**1 Claim, 4 Drawing Sheets**



(56)

**References Cited**

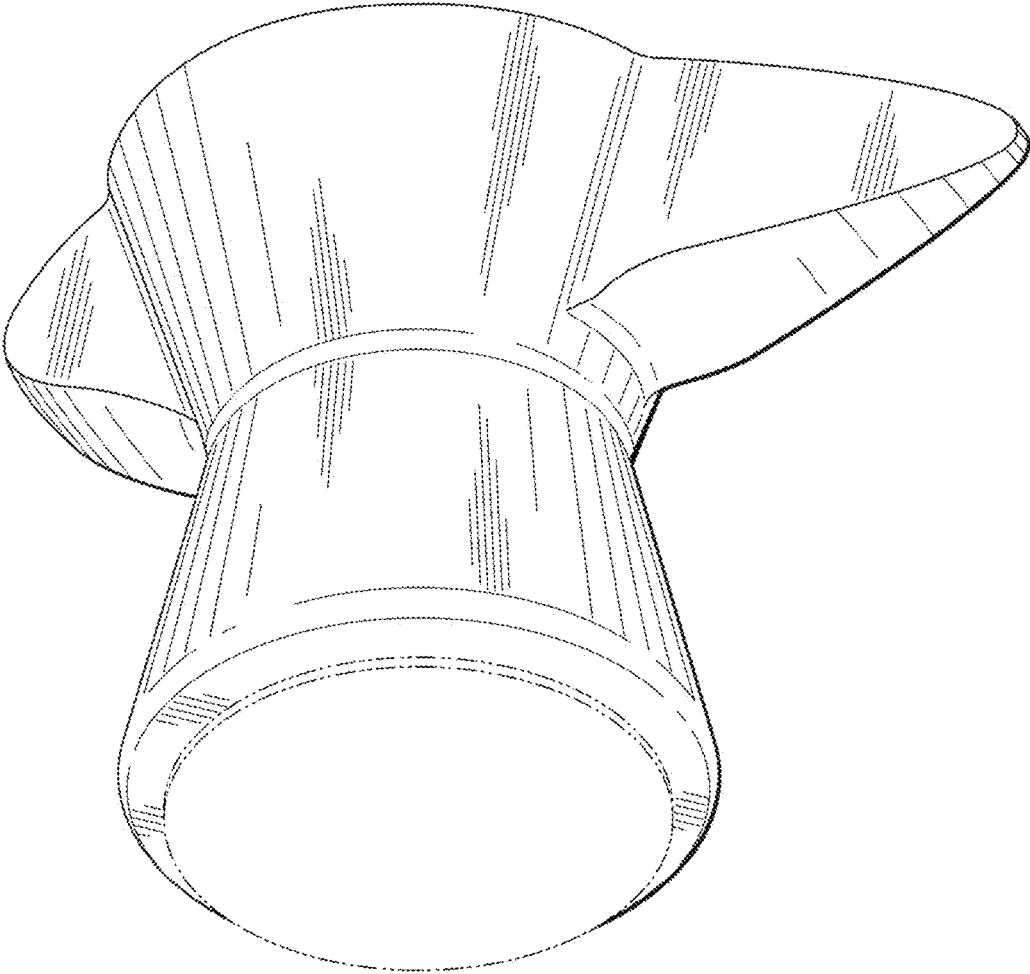
## U.S. PATENT DOCUMENTS

D657,197	S	4/2012	McCleary	
D680,690	S *	4/2013	Shyu .....	D28/41
8,505,555	B1	8/2013	Lightfoot-Martin	
8,671,957	B1	3/2014	James	
8,678,017	B2	3/2014	Arpey et al.	
D764,099	S	8/2016	Boss	
9,591,907	B2	3/2017	Johnson et al.	
D832,683	S *	11/2018	Belt .....	D8/356
10,413,032	B2	9/2019	Keenan	
10,413,033	B1	9/2019	Silva	
2009/0248748	A1	10/2009	Shahmoradian	
2009/0255030	A1	10/2009	Guy	
2009/0288673	A1	11/2009	Park	
2010/0012140	A1	1/2010	Fitzpatrick	
2011/0180094	A1	7/2011	Greenwald	
2012/0186601	A1	7/2012	Ungar et al.	
2013/0247930	A1	9/2013	Norman	
2015/0040935	A1	2/2015	Sumpter et al.	
2015/0250283	A1	9/2015	Alas et al.	
2016/0066671	A1	3/2016	Astwood	
2016/0088916	A1	3/2016	Johnson et al.	
2016/0242522	A1	8/2016	Reile	
2016/0270502	A1	9/2016	Keenan	
2017/0099926	A1	4/2017	Lutton	
2017/0325562	A1	11/2017	Musiol	
2019/0261713	A1	8/2019	Johnson	

## FOREIGN PATENT DOCUMENTS

JP	2005066283	A	3/2005
JP	5792470	B2	10/2015
WO	2005117638	A1	12/2005

\* cited by examiner



**FIG. 1**

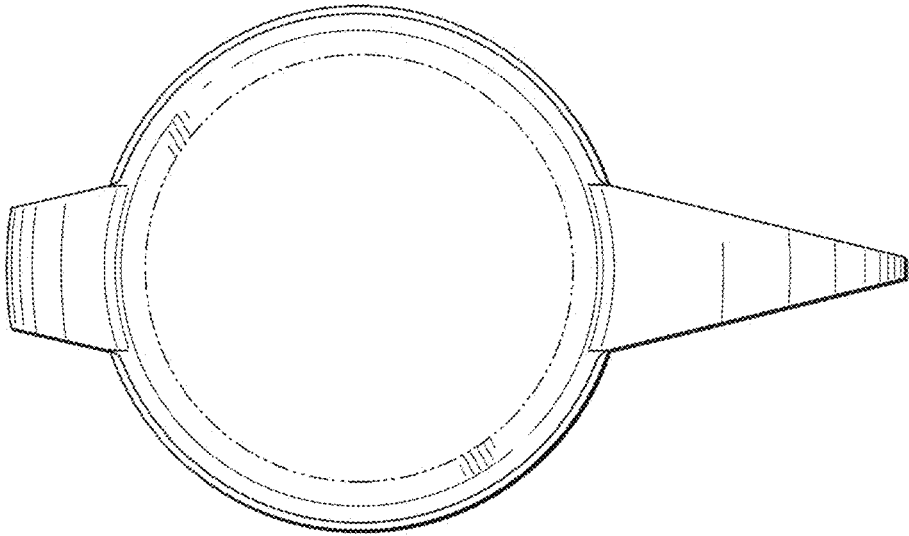


FIG. 2

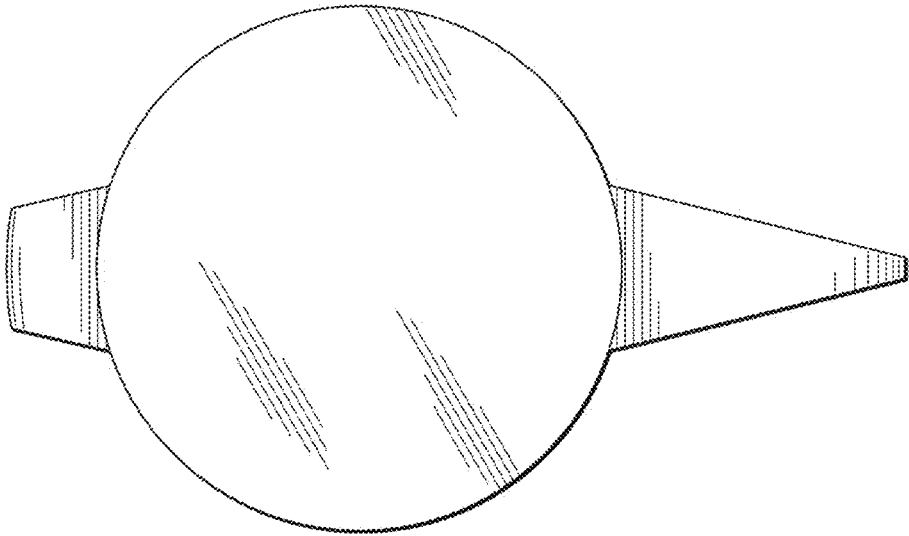


FIG. 3

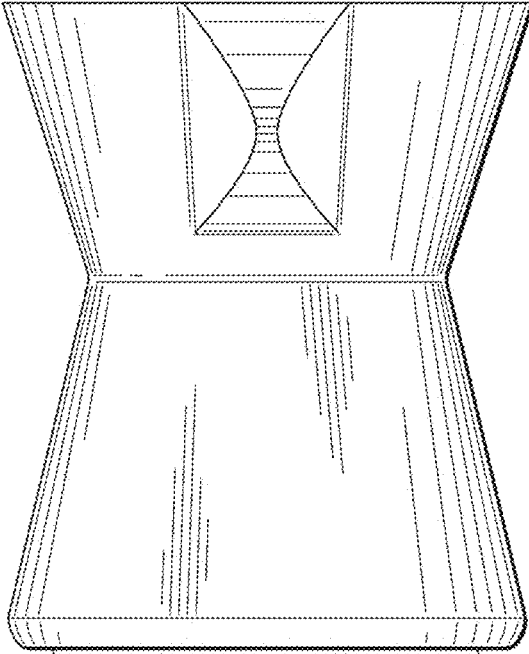


FIG. 4

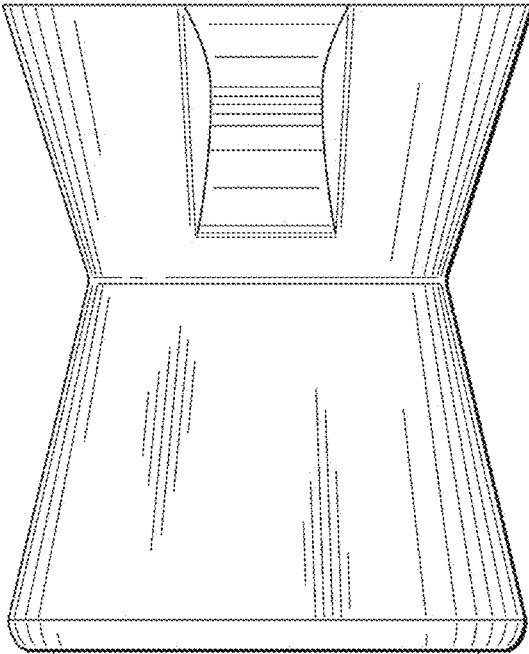


FIG. 5

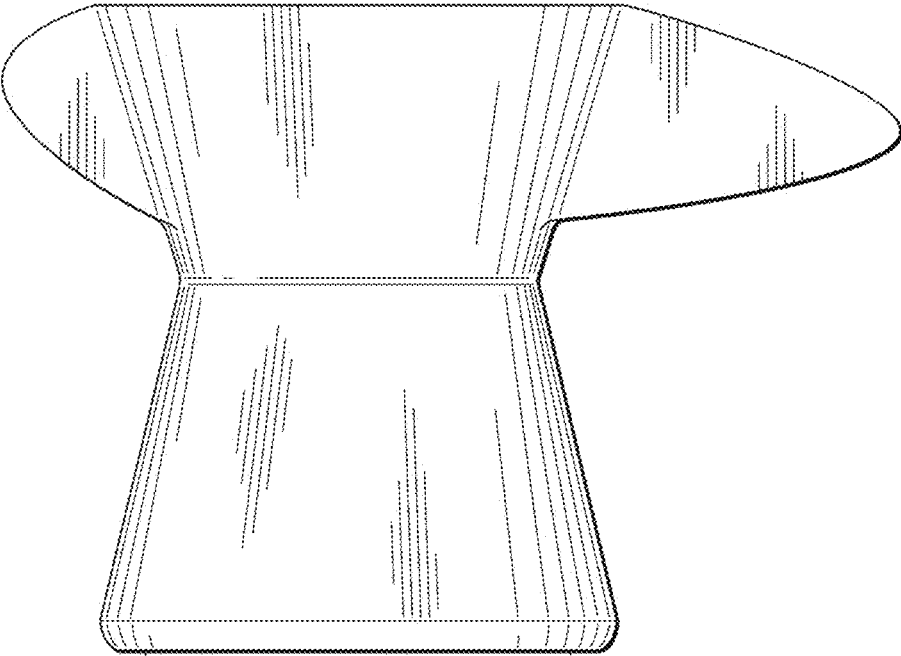


FIG. 6

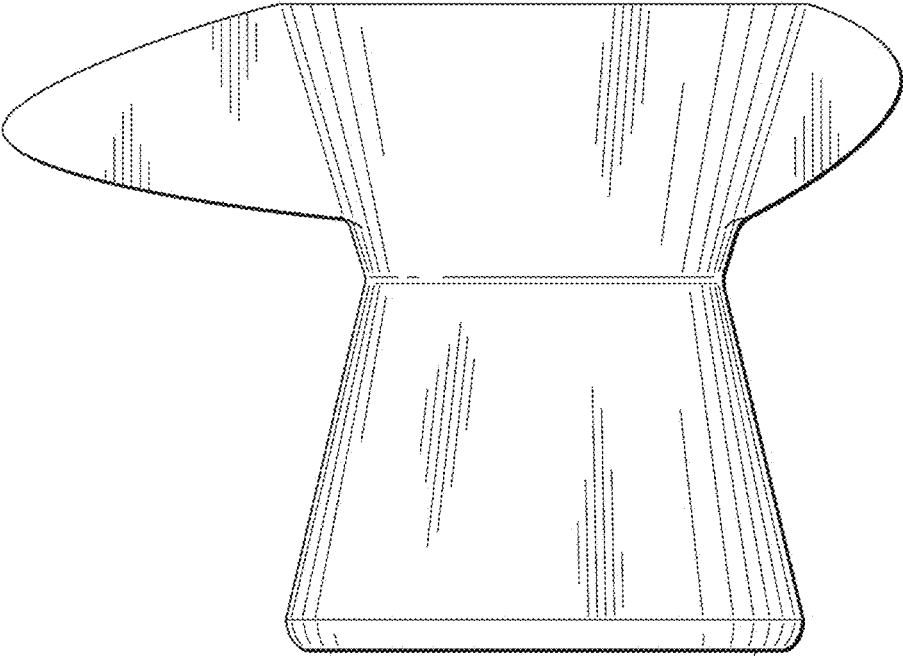


FIG. 7