

(12) **United States Design Patent** (10) **Patent No.:** **US D970,231 S**
Guo (45) **Date of Patent:** **** Nov. 22, 2022**

(54) **MIRROR**

OTHER PUBLICATIONS

(71) Applicant: **Xizhen Guo**, Tianmen (CN)

“Vlsrka LED Full-Length Mirror, Floor Mirror with Lights, Wall Mounted Lighted Mirror, Free Standing Mirror, Dressing Body Mirror, 3 Color Lighting & Dimmable Brightness(63×16in, Silver)” product listing on Amazon.com. Listed as first available for sale on Jan. 8, 2021. Retrieved on Mar. 16, 2022 from https://www.amazon.com/dp/B08SBLMVY5/ref=sspa_dk_detail_4?pd_rd_i=B08SBLMVY5&pd_rd_w=pd4cb&pf_rd_p=57cbdc41-b731-4e3d-aca7-49078b13a07b&pd_rd_wg=G0Vf1&pf_rd_r=Z7D70GEF2HDN12VEB1CM&pd_rd_r=fad1ba80-d46a-4eaf-8c20-9096289b607d&s=kitchen&spLa=ZW5jcnlwdGVkUXVhbGlmaWVyPUFaQjIQNFVNNTNOU1QmZW5jcnlwdGVkSWQ9QTA2ODI0MzFWQ0JUWIdFUKJNS1MmZW5jcnlwdGVkQWRJZD1BMDc4NDYxMTI5VzVJVhYskZZMU8md2lkZ2V0TmFtZT1zcF9kZXRhaWxfidGhbWF0aWMMmYWN0aW9uPWNsaWNrUmVkaXJlY3QmZG9Ob3Rmb2dDbGljaz10cnVI&th=1 (Year: 2021).*

(72) Inventor: **Xizhen Guo**, Tianmen (CN)

(*) Notice: Patent file contains an affidavit/declaration under 37 CFR 1.130(b).

(**) Term: **15 Years**

(21) Appl. No.: **29/794,264**

(22) Filed: **Jun. 11, 2021**

(51) **LOC (13) Cl.** **06-06**

(52) **U.S. Cl.**
 USPC **D6/310**

(58) **Field of Classification Search**
 USPC D6/300–314
 CPC .. A47G 1/00; A47G 2001/002; F21V 33/004;
 A45D 42/10

See application file for complete search history.

* cited by examiner

Primary Examiner — Deanna L Pratt
 (74) *Attorney, Agent, or Firm* — Zhihua Han; Wen IP LLC

(57) **CLAIM**

The ornamental design for a mirror, as shown and described.

DESCRIPTION

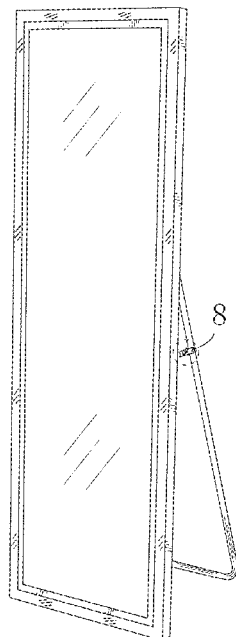
FIG. 1 is a perspective view of a mirror, showing my new design;
 FIG. 2 is a front elevation view thereof;
 FIG. 3 is a rear elevation view thereof;
 FIG. 4 is a left side elevation view thereof;
 FIG. 5 is a right side elevation view thereof;
 FIG. 6 is a top plan view thereof;
 FIG. 7 is a bottom plan view thereof; and,
 FIG. 8 is an enlarged view of the circled region of FIG. 1.

1 Claim, 8 Drawing Sheets

(56) **References Cited**

U.S. PATENT DOCUMENTS

D531,822	S	11/2006	Massaud	
D543,366	S *	5/2007	Weatherly	D6/312
D704,938	S *	5/2014	Mischel, Jr.	D6/300
D754,979	S	5/2016	Starck	
D801,703	S *	11/2017	Robertson	D6/300
D807,648	S	1/2018	Gilad	
D915,084	S *	4/2021	Choi	D6/308
D917,895	S *	5/2021	Xu	D6/300
D941,040	S *	1/2022	Fumiya	D6/310
D946,908	S *	3/2022	Xu	D6/300
D953,754	S *	6/2022	Asikainen	D14/126
D954,452	S *	6/2022	Sætter-Lassen	D6/300



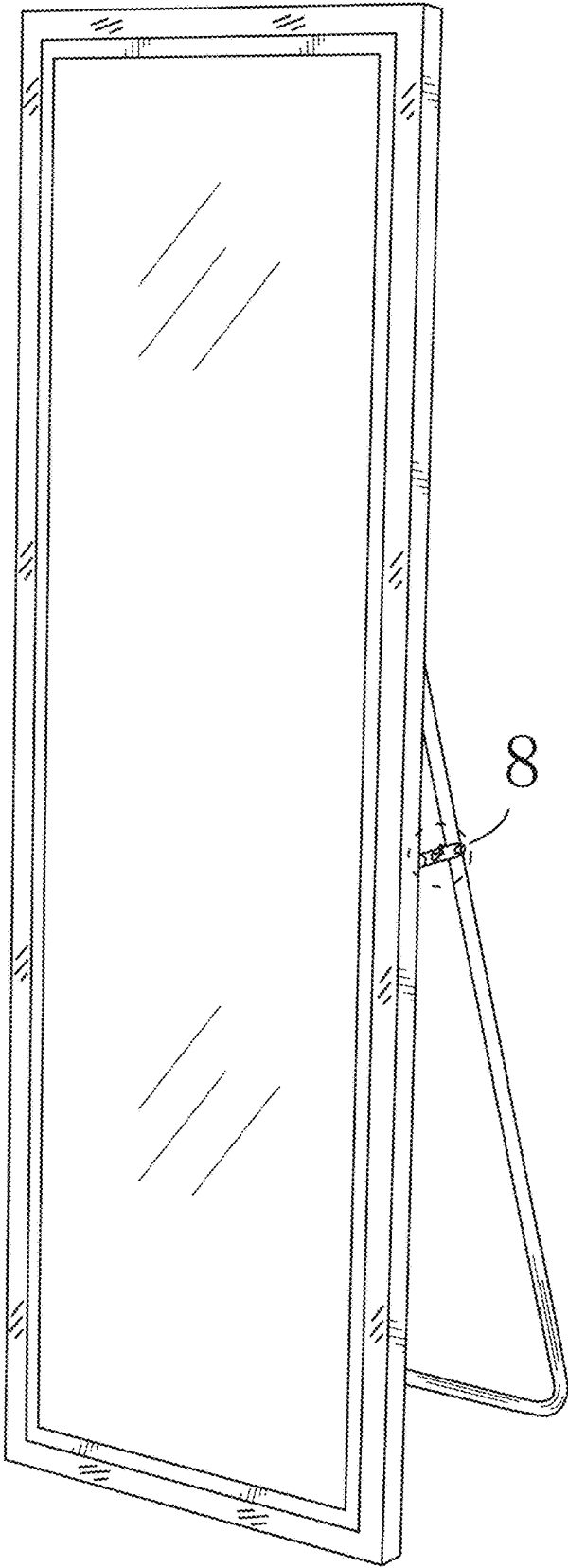


FIG. 1

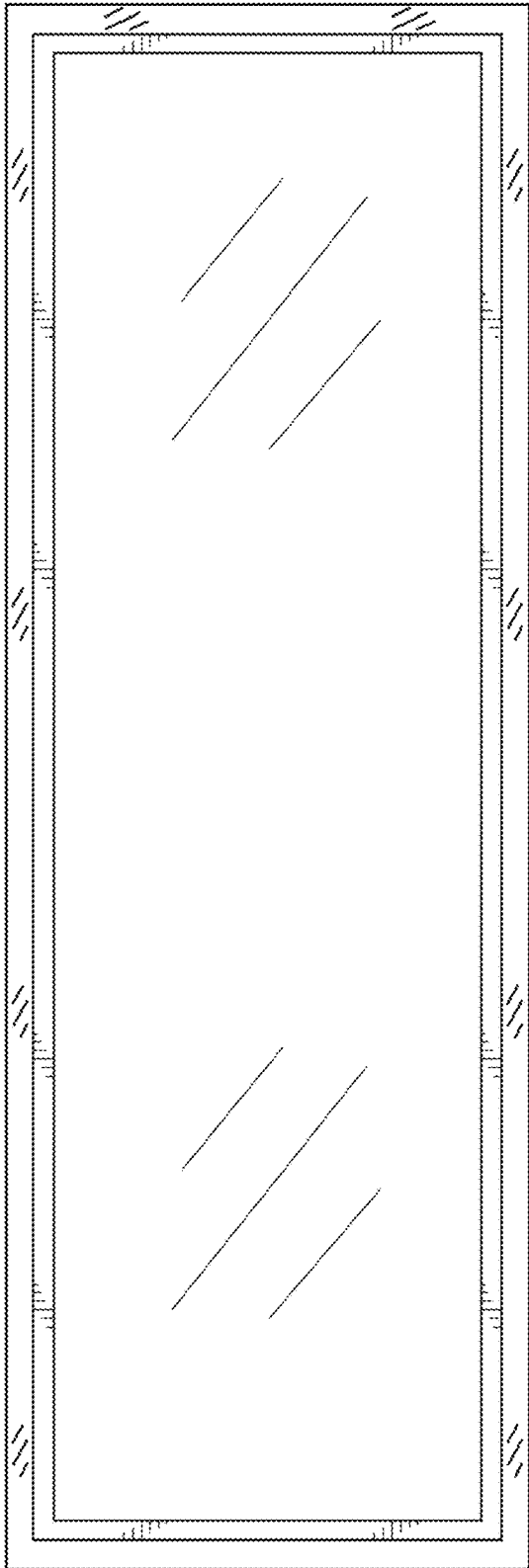


FIG. 2

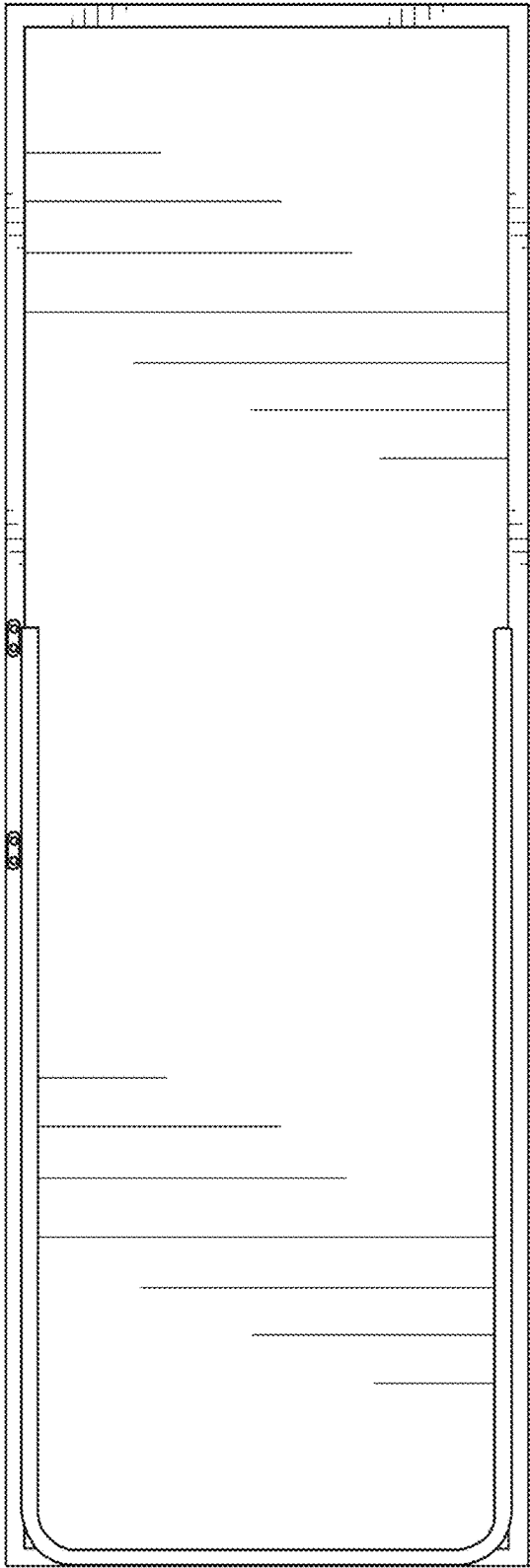


FIG. 3

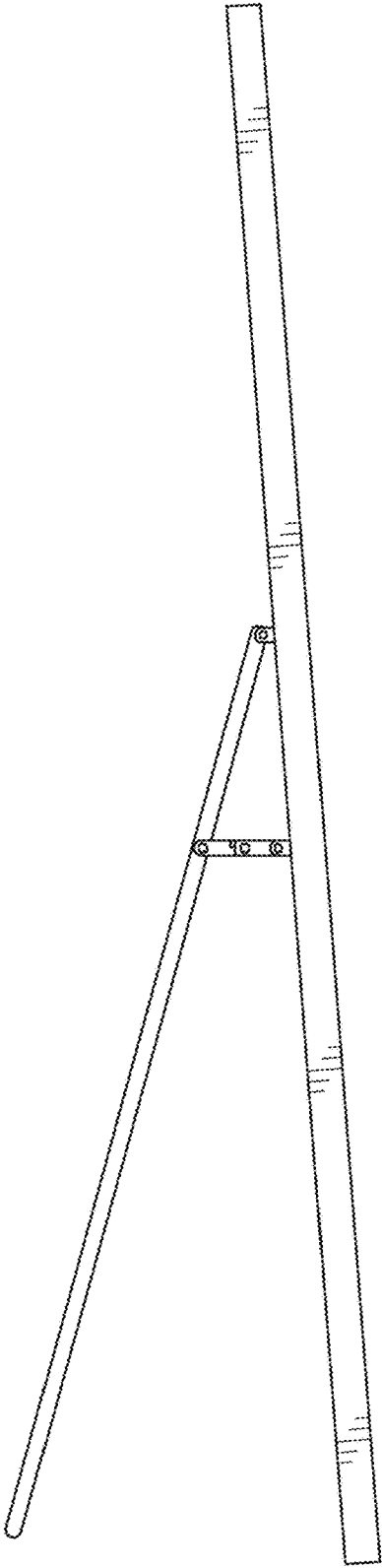


FIG. 4

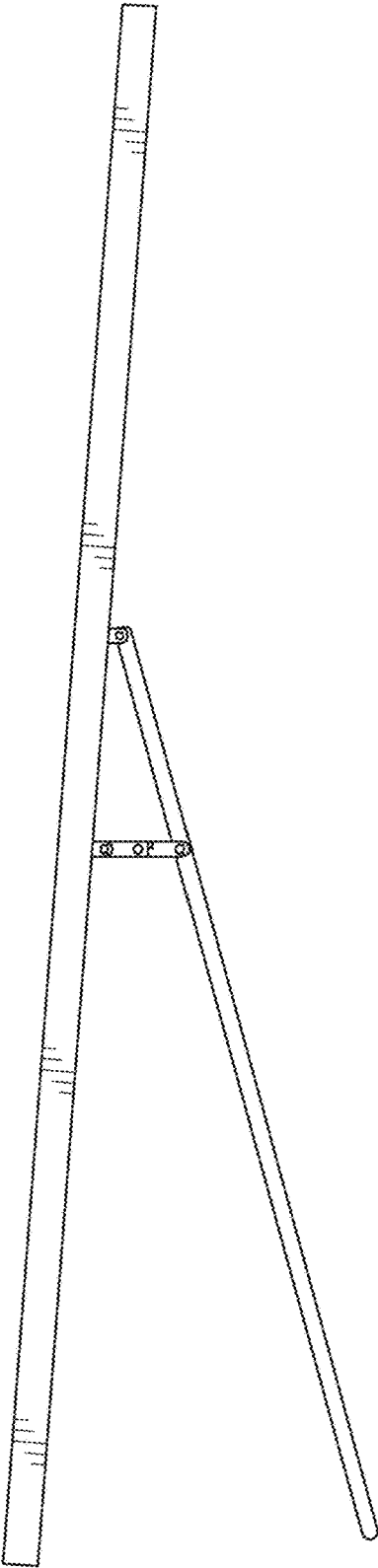


FIG. 5

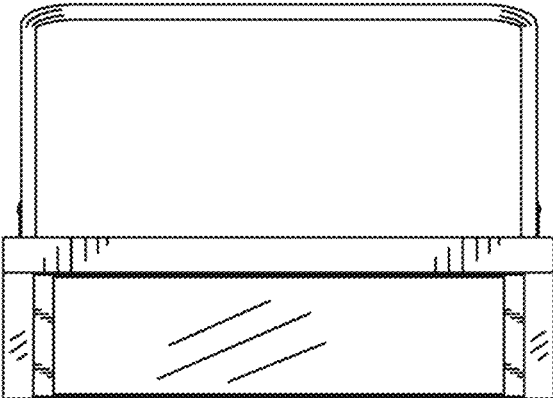


FIG. 6

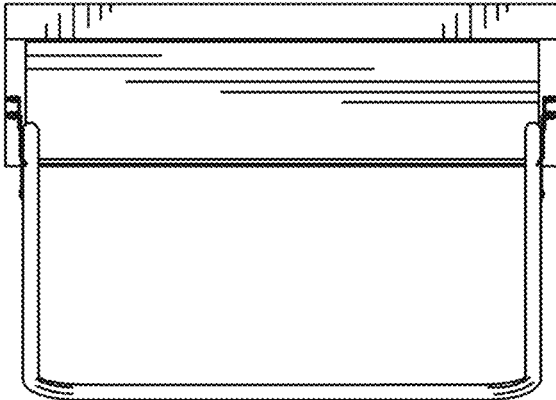


FIG. 7

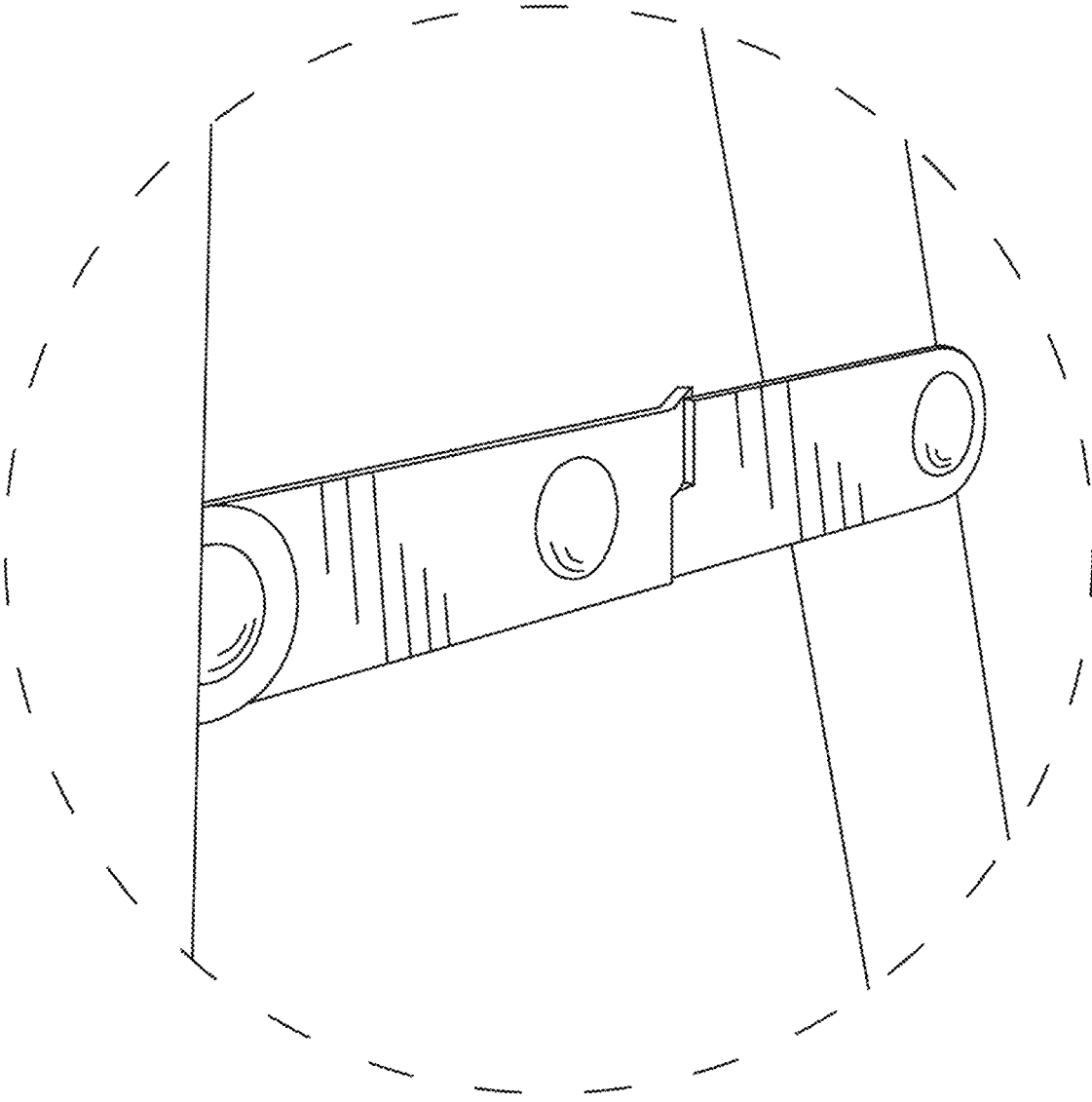


FIG. 8