



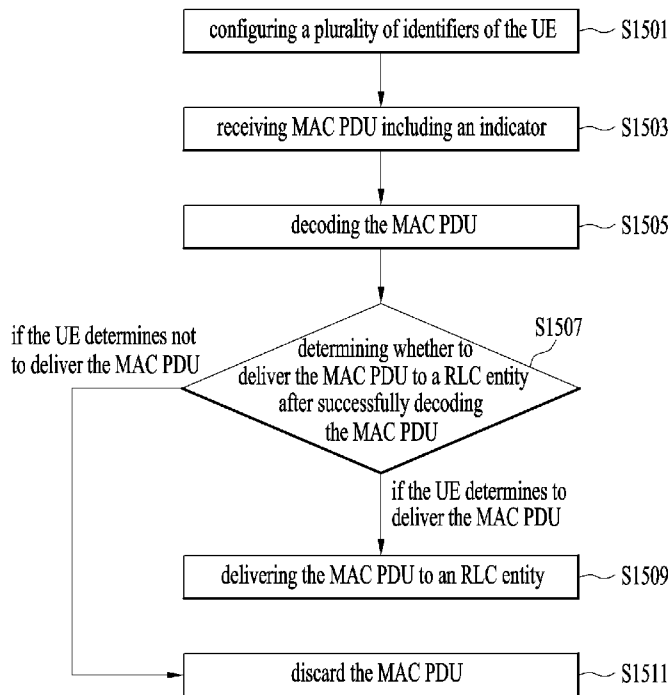
- (51) International Patent Classification:  
H04L 29/08 (2006.01) H04B 7/26 (2006.01)  
H04L 29/06 (2006.01)
- (21) International Application Number:  
PCT/KR2016/000646
- (22) International Filing Date:  
21 January 2016 (21.01.2016)
- (25) Filing Language: English
- (26) Publication Language: English
- (30) Priority Data:  
62/108,070 27 January 2015 (27.01.2015) US
- (71) Applicant: LG ELECTRONICS INC. [KR/KR]; 128, Yeoui-daero, Yeongdeungpo-gu, Seoul 07336 (KR).
- (72) Inventors: LEE, Sunyoung; IP Center, LG Electronics Inc., 19, Yangjae-daero 11gil, Seocho-gu, Seoul 06772 (KR). YI, Seungjune; IP Center, LG Electronics Inc., 19, Yangjae-daero 11gil, Seocho-gu, Seoul 06772 (KR).
- (74) Agents: KIM, Yong In et al.; KBK & Associates, 7th Floor, 82 Olympic-ro, Songpa-ku, Seoul 05556 (KR).

- (81) Designated States (unless otherwise indicated, for every kind of national protection available): AE, AG, AL, AM, AO, AT, AU, AZ, BA, BB, BG, BH, BN, BR, BW, BY, BZ, CA, CH, CL, CN, CO, CR, CU, CZ, DE, DK, DM, DO, DZ, EC, EE, EG, ES, FI, GB, GD, GE, GH, GM, GT, HN, HR, HU, ID, IL, IN, IR, IS, JP, KE, KG, KN, KP, KR, KZ, LA, LC, LK, LR, LS, LU, LY, MA, MD, ME, MG, MK, MN, MW, MX, MY, MZ, NA, NG, NI, NO, NZ, OM, PA, PE, PG, PH, PL, PT, QA, RO, RS, RU, RW, SA, SC, SD, SE, SG, SK, SL, SM, ST, SV, SY, TH, TJ, TM, TN, TR, TT, TZ, UA, UG, US, UZ, VC, VN, ZA, ZM, ZW.
- (84) Designated States (unless otherwise indicated, for every kind of regional protection available): ARIPO (BW, GH, GM, KE, LR, LS, MW, MZ, NA, RW, SD, SL, ST, SZ, TZ, UG, ZM, ZW), Eurasian (AM, AZ, BY, KG, KZ, RU, TJ, TM), European (AL, AT, BE, BG, CH, CY, CZ, DE, DK, EE, ES, FI, FR, GB, GR, HR, HU, IE, IS, IT, LT, LU, LV, MC, MK, MT, NL, NO, PL, PT, RO, RS, SE, SI, SK, SM, TR), OAPI (BF, BJ, CF, CG, CI, CM, GA, GN, GQ, GW, KM, ML, MR, NE, SN, TD, TG).

Published:  
— with international search report (Art. 21(3))

[Continued on next page]

(54) Title: METHOD FOR PERFORMING A PACKET FILTERING FOR PROSE IN A D2D COMMUNICATION SYSTEM AND DEVICE THEREFOR



(57) Abstract: The present invention relates to a wireless communication system. More specifically, the present invention relates to a method and a device for performing a Packet filtering for ProSe in a D2D communication system, the method comprising: configuring a plurality of identifiers of the UE; receiving, by a Medium Access Control (MAC) entity, a Medium Access Control Protocol Data Unit (MAC PDU) including an indicator; checking, by the MAC entity, whether the indicator is equal to 16 Most Significant Bit (MSB) of any of identifiers of the UE; and delivering the MAC PDU, to a Radio Link Control (RLC) entity, after successfully decoding the MAC PDU, if the indicator is equal to 16 MSB of any of identifiers of the UE.

WO 2016/122163 A1

- *before the expiration of the time limit for amending the claims and to be republished in the event of receipt of amendments (Rule 48.2(h))*

## Description

### **Title of Invention: METHOD FOR PERFORMING A PACKET FILTERING FOR PROSE IN A D2D COMMUNICATION SYSTEM AND DEVICE THEREFOR**

#### **Technical Field**

- [1] The present invention relates to a wireless communication system and, more particularly, to a method for performing a Packet filtering for ProSe in a D2D (Device to Device) communication system and a device therefor.

#### **Background Art**

- [2] As an example of a mobile communication system to which the present invention is applicable, a 3rd Generation Partnership Project Long Term Evolution (hereinafter, referred to as LTE) communication system is described in brief.
- [3] FIG. 1 is a view schematically illustrating a network structure of an E-UMTS as an exemplary radio communication system. An Evolved Universal Mobile Telecommunications System (E-UMTS) is an advanced version of a conventional Universal Mobile Telecommunications System (UMTS) and basic standardization thereof is currently underway in the 3GPP. E-UMTS may be generally referred to as a Long Term Evolution (LTE) system. For details of the technical specifications of the UMTS and E-UMTS, reference can be made to Release 7 and Release 8 of "3rd Generation Partnership Project; Technical Specification Group Radio Access Network".
- [4] Referring to FIG. 1, the E-UMTS includes a User Equipment (UE), eNode Bs (eNBs), and an Access Gateway (AG) which is located at an end of the network (E-UTRAN) and connected to an external network. The eNBs may simultaneously transmit multiple data streams for a broadcast service, a multicast service, and/or a unicast service.
- [5] One or more cells may exist per eNB. The cell is set to operate in one of bandwidths such as 1.25, 2.5, 5, 10, 15, and 20 MHz and provides a downlink (DL) or uplink (UL) transmission service to a plurality of UEs in the bandwidth. Different cells may be set to provide different bandwidths. The eNB controls data transmission or reception to and from a plurality of UEs. The eNB transmits DL scheduling information of DL data to a corresponding UE so as to inform the UE of a time/frequency domain in which the DL data is supposed to be transmitted, coding, a data size, and hybrid automatic repeat and request (HARQ)-related information. In addition, the eNB transmits UL scheduling information of UL data to a corresponding UE so as to inform the UE of a time/frequency domain which may be used by the UE, coding, a data size, and HARQ-related information. An interface for transmitting user traffic or control traffic may be

used between eNBs. A core network (CN) may include the AG and a network node or the like for user registration of UEs. The AG manages the mobility of a UE on a tracking area (TA) basis. One TA includes a plurality of cells.

- [6] Device to device (D2D) communication refers to the distributed communication technology that directly transfers traffic between adjacent nodes without using infrastructure such as a base station. In a D2D communication environment, each node such as a portable terminal discovers user equipment physically adjacent thereto and transmits traffic after setting communication session. In this way, since D2D communication may solve traffic overload by distributing traffic concentrated into the base station, the D2D communication may have received attention as the element technology of the next generation mobile communication technology after 4G. For this reason, the standard institute such as 3GPP or IEEE has proceeded to establish the D2D communication standard on the basis of LTE-A or Wi-Fi, and Qualcomm has developed their own D2D communication technology.
- [7] It is expected that the D2D communication contributes to increase throughput of a mobile communication system and create new communication services. Also, the D2D communication may support proximity based social network services or network game services. The problem of link of a user equipment located at a shade zone may be solved by using a D2D link as a relay. In this way, it is expected that the D2D technology will provide new services in various fields.
- [8] The D2D communication technologies such as infrared communication, ZigBee, radio frequency identification (RFID) and near field communications (NFC) based on the RFID have been already used. However, since these technologies support communication only of a specific object within a limited distance (about 1m), it is difficult for the technologies to be regarded as the D2D communication technologies strictly.
- [9] Although the D2D communication has been described as above, details of a method for transmitting data from a plurality of D2D user equipments with the same resource have not been suggested.

## **Disclosure of Invention**

### **Technical Problem**

- [10] An object of the present invention devised to solve the problem lies in a method and device for a method for performing a Packet filtering for ProSe in a D2D communication system. The technical problems solved by the present invention are not limited to the above technical problems and those skilled in the art may understand other technical problems from the following description.

### **Solution to Problem**

- [11] The object of the present invention can be achieved by providing a method for

operating by an apparatus in wireless communication system, the method comprising; configuring a plurality of identifiers of the UE; receiving, by a Medium Access Control (MAC) entity, a Medium Access Control Protocol Data Unit (MAC PDU) including an indicator; checking, by the MAC entity, whether the indicator is equal to 16 Most Significant Bit (MSB) of any of identifiers of the UE; and delivering the MAC PDU, to a Radio Link Control (RLC) entity, after successfully decoding the MAC PDU, if the indicator is equal to 16 MSB of any of identifiers of the UE.

- [12] Preferably, the identifiers of the UE comprise a ProSe layer-2 group ID or a Destination Layer-2 IDs
- [13] Preferably, the indicator is included in a MAC header.
- [14] Preferably, the indicator is a DST field of a MAC PDU subheader.
- [15] Preferably, the MAC PDU is received from other UEs directly via PC5 interface.
- [16] Preferably, the identifiers identify ProSe groups to which the UE belongs.
- [17] Preferably, a size of the identifiers is greater than 16 bits.
- [18] Preferably, if the indicator is not equal to 16 MSB of any of identifiers of the UE, the MAC entity of the UE discards the MAC PDU.
- [19] In another aspect of the present invention, provided herein is a method for a UE (User Equipment) operating in a wireless communication system, the method comprising: configuring a plurality of Destination Layer-2 IDs of the UE; receiving, by a Medium Access Control (MAC) entity, a Medium Access Control Protocol Data Unit (MAC PDU) including a DST field; checking, by the MAC entity, whether the DST field of a MAC PDU subheader is equal to 16 MSB of any of Destination Layer-2 IDs of the UE; and delivering the MAC PDU, to a Radio Link Control (RLC) entity, after successfully decoding the MAC PDU, if the DST field of a MAC PDU subheader is equal to 16 MSB of any of Destination Layer-2 IDs of the UE.
- [20] In another aspect of the present invention, provided herein is a method for a UE (User Equipment) operating in a wireless communication system, the method comprising: configuring a plurality of Destination Layer-2 IDs of the UE; receiving, by a Medium Access Control (MAC) entity, a Medium Access Control Protocol Data Unit (MAC PDU) including a DST field; decoding the MAC PDU; determining whether to deliver the MAC PDU to a Radio Link Control (RLC) entity after successfully decoding the MAC PDU based on whether the DST field of a MAC PDU subheader is equal to 16 MSB of any of Destination Layer-2 IDs of the UE; and delivering the MAC PDU if the UE determines to deliver the MAC PDU.
- [21] It is to be understood that both the foregoing general description and the following detailed description of the present invention are exemplary and explanatory and are intended to provide further explanation of the invention as claimed.

### **Advantageous Effects of Invention**

[22] According to the present invention, a Packet filtering for ProSe can be efficiently performed in a D2D communication system under a certain condition. Specifically, when the data, i.e. MAC PDU, is successfully decoded from the received TB, the UE checks first whether the data is targeted for the UE, and the UE delivers MAC PDU if the certain condition is met.

[23] It will be appreciated by persons skilled in the art that that the effects achieved by the present invention are not limited to what has been particularly described hereinabove and other advantages of the present invention will be more clearly understood from the following detailed description taken in conjunction with the accompanying drawings.

### **Brief Description of Drawings**

[24] The accompanying drawings, which are included to provide a further understanding of the invention and are incorporated in and constitute a part of this application, illustrate embodiment(s) of the invention and together with the description serve to explain the principle of the invention.

[25] FIG. 1 is a diagram showing a network structure of an Evolved Universal Mobile Telecommunications System (E-UMTS) as an example of a wireless communication system;

[26] FIG. 2A is a block diagram illustrating network structure of an evolved universal mobile telecommunication system (E-UMTS), and FIG. 2B is a block diagram depicting architecture of a typical E-UTRAN and a typical EPC;

[27] FIG. 3 is a diagram showing a control plane and a user plane of a radio interface protocol between a UE and an E-UTRAN based on a 3rd generation partnership project (3GPP) radio access network standard;

[28] FIG. 4 is a diagram of an example physical channel structure used in an E-UMTS system;

[29] FIG. 5 is a block diagram of a communication apparatus according to an embodiment of the present invention

[30] FIG. 6 is an example of default data path for a normal communication;

[31] FIGs. 7 and 8 are examples of data path scenarios for a proximity communication;

[32] FIG. 9 is a conceptual diagram illustrating for a non-roaming reference architecture;

[33] FIG. 10 is a conceptual diagram illustrating for a Layer 2 Structure for Sidelink;

[34] FIG. 11A is a conceptual diagram illustrating for User-Plane protocol stack for ProSe Direct Communication, and FIG. 11B is Control-Plane protocol stack for ProSe Direct Communication;

[35] FIG. 12 is a conceptual diagram illustrating for a PC5 interface for ProSe Direct Discovery;

- [36] FIG. 13A is an example of ProSe BSR MAC control element for even N, FIG. 13b is an example of ProSe BSR MAC control element for odd N;
- [37] FIGs. 14A to 14E are conceptual diagrams illustrating for a MAC PDU structure; and
- [38] FIG. 15 is a diagram for performing a Packet filtering for ProSe in a D2D communication system according to embodiments of the present invention.

### **Best Mode for Carrying out the Invention**

- [39] Universal mobile telecommunications system (UMTS) is a 3rd Generation (3G) asynchronous mobile communication system operating in wideband code division multiple access (WCDMA) based on European systems, global system for mobile communications (GSM) and general packet radio services (GPRS). The long-term evolution (LTE) of UMTS is under discussion by the 3rd generation partnership project (3GPP) that standardized UMTS.
- [40] The 3GPP LTE is a technology for enabling high-speed packet communications. Many schemes have been proposed for the LTE objective including those that aim to reduce user and provider costs, improve service quality, and expand and improve coverage and system capacity. The 3G LTE requires reduced cost per bit, increased service availability, flexible use of a frequency band, a simple structure, an open interface, and adequate power consumption of a terminal as an upper-level requirement.
- [41] Hereinafter, structures, operations, and other features of the present invention will be readily understood from the embodiments of the present invention, examples of which are illustrated in the accompanying drawings. Embodiments described later are examples in which technical features of the present invention are applied to a 3GPP system.
- [42] Although the embodiments of the present invention are described using a long term evolution (LTE) system and a LTE-advanced (LTE-A) system in the present specification, they are purely exemplary. Therefore, the embodiments of the present invention are applicable to any other communication system corresponding to the above definition. In addition, although the embodiments of the present invention are described based on a frequency division duplex (FDD) scheme in the present specification, the embodiments of the present invention may be easily modified and applied to a half-duplex FDD (H-FDD) scheme or a time division duplex (TDD) scheme.
- [43] FIG. 2A is a block diagram illustrating network structure of an evolved universal mobile telecommunication system (E-UMTS). The E-UMTS may be also referred to as an LTE system. The communication network is widely deployed to provide a variety of communication services such as voice (VoIP) through IMS and packet data.
- [44] As illustrated in FIG. 2A, the E-UMTS network includes an evolved UMTS ter-

restrial radio access network (E-UTRAN), an Evolved Packet Core (EPC) and one or more user equipment. The E-UTRAN may include one or more evolved NodeB (eNodeB) 20, and a plurality of user equipment (UE) 10 may be located in one cell. One or more E-UTRAN mobility management entity (MME)/system architecture evolution (SAE) gateways 30 may be positioned at the end of the network and connected to an external network.

[45] As used herein, “downlink” refers to communication from eNodeB 20 to UE 10, and “uplink” refers to communication from the UE to an eNodeB. UE 10 refers to communication equipment carried by a user and may be also referred to as a mobile station (MS), a user terminal (UT), a subscriber station (SS) or a wireless device.

[46] FIG. 2B is a block diagram depicting architecture of a typical E-UTRAN and a typical EPC.

[47] As illustrated in FIG. 2B, an eNodeB 20 provides end points of a user plane and a control plane to the UE 10. MME/SAE gateway 30 provides an end point of a session and mobility management function for UE 10. The eNodeB and MME/SAE gateway may be connected via an S1 interface.

[48] The eNodeB 20 is generally a fixed station that communicates with a UE 10, and may also be referred to as a base station (BS) or an access point. One eNodeB 20 may be deployed per cell. An interface for transmitting user traffic or control traffic may be used between eNodeBs 20.

[49] The MME provides various functions including NAS signaling to eNodeBs 20, NAS signaling security, AS Security control, Inter CN node signaling for mobility between 3GPP access networks, Idle mode UE Reachability (including control and execution of paging retransmission), Tracking Area list management (for UE in idle and active mode), PDN GW and Serving GW selection, MME selection for handovers with MME change, SGSN selection for handovers to 2G or 3G 3GPP access networks, Roaming, Authentication, Bearer management functions including dedicated bearer establishment, Support for PWS (which includes ETWS and CMAS) message transmission. The SAE gateway host provides assorted functions including Per-user based packet filtering (by e.g. deep packet inspection), Lawful Interception, UE IP address allocation, Transport level packet marking in the downlink, UL and DL service level charging, gating and rate enforcement, DL rate enforcement based on APN-AMBR. For clarity MME/SAE gateway 30 will be referred to herein simply as a “gateway,” but it is understood that this entity includes both an MME and an SAE gateway.

[50] A plurality of nodes may be connected between eNodeB 20 and gateway 30 via the S1 interface. The eNodeBs 20 may be connected to each other via an X2 interface and neighboring eNodeBs may have a meshed network structure that has the X2 interface.

[51] As illustrated, eNodeB 20 may perform functions of selection for gateway 30,

routing toward the gateway during a Radio Resource Control (RRC) activation, scheduling and transmitting of paging messages, scheduling and transmitting of Broadcast Channel (BCCH) information, dynamic allocation of resources to UEs 10 in both uplink and downlink, configuration and provisioning of eNodeB measurements, radio bearer control, radio admission control (RAC), and connection mobility control in LTE\_ACTIVE state. In the EPC, and as noted above, gateway 30 may perform functions of paging origination, LTE-IDLE state management, ciphering of the user plane, System Architecture Evolution (SAE) bearer control, and ciphering and integrity protection of Non-Access Stratum (NAS) signaling.

[52] The EPC includes a mobility management entity (MME), a serving-gateway (S-GW), and a packet data network-gateway (PDN-GW). The MME has information about connections and capabilities of UEs, mainly for use in managing the mobility of the UEs. The S-GW is a gateway having the E-UTRAN as an end point, and the PDN-GW is a gateway having a packet data network (PDN) as an end point.

[53] FIG. 3 is a diagram showing a control plane and a user plane of a radio interface protocol between a UE and an E-UTRAN based on a 3GPP radio access network standard. The control plane refers to a path used for transmitting control messages used for managing a call between the UE and the E-UTRAN. The user plane refers to a path used for transmitting data generated in an application layer, e.g., voice data or Internet packet data.

[54] A physical (PHY) layer of a first layer provides an information transfer service to a higher layer using a physical channel. The PHY layer is connected to a medium access control (MAC) layer located on the higher layer via a transport channel. Data is transported between the MAC layer and the PHY layer via the transport channel. Data is transported between a physical layer of a transmitting side and a physical layer of a receiving side via physical channels. The physical channels use time and frequency as radio resources. In detail, the physical channel is modulated using an orthogonal frequency division multiple access (OFDMA) scheme in downlink and is modulated using a single carrier frequency division multiple access (SC-FDMA) scheme in uplink.

[55] The MAC layer of a second layer provides a service to a radio link control (RLC) layer of a higher layer via a logical channel. The RLC layer of the second layer supports reliable data transmission. A function of the RLC layer may be implemented by a functional block of the MAC layer. A packet data convergence protocol (PDCP) layer of the second layer performs a header compression function to reduce unnecessary control information for efficient transmission of an Internet protocol (IP) packet such as an IP version 4 (IPv4) packet or an IP version 6 (IPv6) packet in a radio interface having a relatively small bandwidth.

- [56] A radio resource control (RRC) layer located at the bottom of a third layer is defined only in the control plane. The RRC layer controls logical channels, transport channels, and physical channels in relation to configuration, re-configuration, and release of radio bearers (RBs). An RB refers to a service that the second layer provides for data transmission between the UE and the E-UTRAN. To this end, the RRC layer of the UE and the RRC layer of the E-UTRAN exchange RRC messages with each other.
- [57] One cell of the eNB is set to operate in one of bandwidths such as 1.25, 2.5, 5, 10, 15, and 20 MHz and provides a downlink or uplink transmission service to a plurality of UEs in the bandwidth. Different cells may be set to provide different bandwidths.
- [58] Downlink transport channels for transmission of data from the E-UTRAN to the UE include a broadcast channel (BCH) for transmission of system information, a paging channel (PCH) for transmission of paging messages, and a downlink shared channel (SCH) for transmission of user traffic or control messages. Traffic or control messages of a downlink multicast or broadcast service may be transmitted through the downlink SCH and may also be transmitted through a separate downlink multicast channel (MCH).
- [59] Uplink transport channels for transmission of data from the UE to the E-UTRAN include a random access channel (RACH) for transmission of initial control messages and an uplink SCH for transmission of user traffic or control messages. Logical channels that are defined above the transport channels and mapped to the transport channels include a broadcast control channel (BCCH), a paging control channel (PCCH), a common control channel (CCCH), a multicast control channel (MCCH), and a multicast traffic channel (MTCH).
- [60] FIG. 4 is a view showing an example of a physical channel structure used in an E-UMTS system. A physical channel includes several subframes on a time axis and several subcarriers on a frequency axis. Here, one subframe includes a plurality of symbols on the time axis. One subframe includes a plurality of resource blocks and one resource block includes a plurality of symbols and a plurality of subcarriers. In addition, each subframe may use certain subcarriers of certain symbols (e.g., a first symbol) of a subframe for a physical downlink control channel (PDCCH), that is, an L1/L2 control channel. In FIG. 4, an L1/L2 control information transmission area (PDCCH) and a data area (PDSCH) are shown. In one embodiment, a radio frame of 10 ms is used and one radio frame includes 10 subframes. In addition, one subframe includes two consecutive slots. The length of one slot may be 0.5 ms. In addition, one subframe includes a plurality of OFDM symbols and a portion (e.g., a first symbol) of the plurality of OFDM symbols may be used for transmitting the L1/L2 control information. A transmission time interval (TTI) which is a unit time for transmitting data is 1ms.

- [61] A base station and a UE mostly transmit/receive data via a PDSCH, which is a physical channel, using a DL-SCH which is a transmission channel, except a certain control signal or certain service data. Information indicating to which UE (one or a plurality of UEs) PDSCH data is transmitted and how the UE receive and decode PDSCH data is transmitted in a state of being included in the PDCCH.
- [62] For example, in one embodiment, a certain PDCCH is CRC-masked with a radio network temporary identity (RNTI) "A" and information about data is transmitted using a radio resource "B" (e.g., a frequency location) and transmission format information "C" (e.g., a transmission block size, modulation, coding information or the like) via a certain subframe. Then, one or more UEs located in a cell monitor the PDCCH using its RNTI information. And, a specific UE with RNTI "A" reads the PDCCH and then receive the PDSCH indicated by B and C in the PDCCH information.
- [63] FIG. 5 is a block diagram of a communication apparatus according to an embodiment of the present invention.
- [64] The apparatus shown in FIG. 5 can be a user equipment (UE) and/or eNB adapted to perform the above mechanism, but it can be any apparatus for performing the same operation.
- [65] As shown in FIG. 5, the apparatus may comprises a DSP/microprocessor (110) and RF module (transceiver; 135). The DSP/microprocessor (110) is electrically connected with the transceiver (135) and controls it. The apparatus may further include power management module (105), battery (155), display (115), keypad (120), SIM card (125), memory device (130), speaker (145) and input device (150), based on its implementation and designer's choice.
- [66] Specifically, FIG. 5 may represent a UE comprising a receiver (135) configured to receive a request message from a network, and a transmitter (135) configured to transmit the transmission or reception timing information to the network. These receiver and the transmitter can constitute the transceiver (135). The UE further comprises a processor (110) connected to the transceiver (135: receiver and transmitter).
- [67] Also, FIG. 5 may represent a network apparatus comprising a transmitter (135) configured to transmit a request message to a UE and a receiver (135) configured to receive the transmission or reception timing information from the UE. These transmitter and receiver may constitute the transceiver (135). The network further comprises a processor (110) connected to the transmitter and the receiver. This processor (110) may be configured to calculate latency based on the transmission or reception timing information.
- [68] Recently, Proximity-based Service (ProSe) has been discussed in 3GPP. The ProSe

enables different UEs to be connected (directly) each other (after appropriate procedure(s), such as authentication), through eNB only (but not further through Serving Gateway (SGW) / Packet Data Network Gateway (PDN-GW, PGW)), or through SGW/PGW. Thus, using the ProSe, device to device direct communication can be provided, and it is expected that every devices will be connected with ubiquitous connectivity. Direct communication between devices in a near distance can lessen the load of network. Recently, proximity-based social network services have come to public attention, and new kinds of proximity-based applications can be emerged and may create new business market and revenue. For the first step, public safety and critical communication are required in the market. Group communication is also one of key components in the public safety system. Required functionalities are: Discovery based on proximity, Direct path communication, and Management of group communications.

[69] Use cases and scenarios are for example: i) Commercial/social use, ii) Network offloading, iii) Public Safety, iv) Integration of current infrastructure services, to assure the consistency of the user experience including reachability and mobility aspects, and v) Public Safety, in case of absence of EUTRAN coverage (subject to regional regulation and operator policy, and limited to specific public-safety designated frequency bands and terminals)

[70] FIG. 6 is an example of default data path for communication between two UEs. With reference to FIG. 6, even when two UEs (e.g., UE1, UE2) in close proximity communicate with each other, their data path (user plane) goes via the operator network. Thus a typical data path for the communication involves eNB(s) and/or Gateway(s) (GW(s)) (e.g., SGW/PGW).

[71] FIGs. 7 and 8 are examples of data path scenarios for a proximity communication. If wireless devices (e.g., UE1, UE2) are in proximity of each other, they may be able to use a direct mode data path (FIG. 7) or a locally routed data path (FIG. 8). In the direct mode data path, wireless devices are connected directly each other (after appropriate procedure(s), such as authentication), without eNB and SGW/PGW. In the locally routed data path, wireless devices are connected each other through eNB only.

[72] FIG. 9 is a conceptual diagram illustrating for a non-roaming reference architecture.

[73] PC1 to PC 5 represent interfaces. PC1 is a reference point between a ProSe application in a UE and a ProSe App server. It is used to define application level signaling requirements. PC 2 is a reference point between the ProSe App Server and the ProSe Function. It is used to define the interaction between ProSe App Server and ProSe functionality provided by the 3GPP EPS via ProSe Function. One example may be for application data updates for a ProSe database in the ProSe Function. Another example may be data for use by ProSe App Server in interworking between 3GPP

functionality and application data, e.g. name translation. PC3 is a reference point between the UE and ProSe Function. It is used to define the interaction between UE and ProSe Function. An example may be to use for configuration for ProSe discovery and communication. PC4 is a reference point between the EPC and ProSe Function. It is used to define the interaction between EPC and ProSe Function. Possible use cases may be when setting up a one-to-one communication path between UEs or when validating ProSe services (authorization) for session management or mobility management in real time.

- [74] PC5 is a reference point between UE to UE used for control and user plane for discovery and communication, for relay and one-to-one communication (between UEs directly and between UEs over LTE-Uu). Lastly, PC6 is a reference point may be used for functions such as ProSe Discovery between users subscribed to different PLMNs.
- [75] EPC (Evolved Packet Core) includes entities such as MME, S-GW, P-GW, PCRF, HSS etc. The EPC here represents the E-UTRAN Core Network architecture. Interfaces inside the EPC may also be impacted albeit they are not explicitly shown in FIG. 9.
- [76] Application servers, which are users of the ProSe capability for building the application functionality, e.g. in the Public Safety cases they can be specific agencies (PSAP) or in the commercial cases social media. These applications are defined outside the 3GPP architecture but there may be reference points towards 3GPP entities. The Application server can communicate towards an application in the UE.
- [77] Applications in the UE use the ProSe capability for building the application functionality. Example may be for communication between members of Public Safety groups or for social media application that requests to find buddies in proximity. The ProSe Function in the network (as part of EPS) defined by 3GPP has a reference point towards the ProSe App Server, towards the EPC and the UE.
- [78] The functionality may include but not restricted to e.g.:
- [79] - Interworking via a reference point towards the 3rd party Applications
  - [80] - Authorization and configuration of the UE for discovery and Direct communication
  - [81] - Enable the functionality of the EPC level ProSe discovery
  - [82] - ProSe related new subscriber data and /handling of data storage; also handling of ProSe identities;
  - [83] - Security related functionality
  - [84] - Provide Control towards the EPC for policy related functionality
  - [85] - Provide functionality for charging (via or outside of EPC, e.g. offline charging)
- [86] Especially, the following identities are used for ProSe Direct Communication:
- [87] - Source Layer-2 ID identifies a sender of a D2D packet at PC5 interface. The Source Layer-2 ID is used for identification of the receiver RLC UM entity;

- [88] - Destination Layer-2 ID identifies a target of the D2D packet at PC5 interface. The Destination Layer-2 ID is used for filtering of packets at the MAC layer. The Destination Layer-2 ID may be a broadcast, groupcast or unicast identifier; and
- [89] - SA L1 ID identifier in Scheduling Assignment (SA) at PC5 interface. SA L1 ID is used for filtering of packets at the physical layer. The SA L1 ID may be a broadcast, groupcast or unicast identifier.
- [90] No Access Stratum signaling is required for group formation and to configure Source Layer-2 ID and Destination Layer-2 ID in the UE. This information is provided by higher layers.
- [91] In case of groupcast and unicast, the MAC layer will convert the higher layer ProSe ID (i.e. ProSe Layer-2 Group ID and ProSe UE ID) identifying the target (Group, UE) into two bit strings of which one can be forwarded to the physical layer and used as SA L1 ID whereas the other is used as Destination Layer-2 ID. For broadcast, L2 indicates to L1 that it is a broadcast transmission using a pre-defined SA L1 ID in the same format as for group- and unicast.
- [92] FIG. 10 is a conceptual diagram illustrating for a Layer 2 structure for Sidelink.
- [93] The Sidelink is UE to UE interface for ProSe direct communication and ProSe Direct Discovery. Corresponds to the PC5 interface. The Sidelink comprises ProSe Direct Discovery and ProSe Direct Communication between UEs. The Sidelink uses uplink resources and physical channel structure similar to uplink transmissions. However, some changes, noted below, are made to the physical channels. E-UTRA defines two MAC entities; one in the UE and one in the E-UTRAN. These MAC entities handle the following transport channels additionally, i) sidelink broadcast channel (SL-BCH), ii) sidelink discovery channel (SL-DCH) and iii) sidelink shared channel (SL-SCH).
- [94] - Basic transmission scheme: the Sidelink transmission uses the same basic transmission scheme as the UL transmission scheme. However, sidelink is limited to single cluster transmissions for all the sidelink physical channels. Further, sidelink uses a 1 symbol gap at the end of each sidelink sub-frame.
- [95] - Physical-layer processing: the Sidelink physical layer processing of transport channels differs from UL transmission in the following steps:
- [96] i) Scrambling: for PSDCH and PSCCH, the scrambling is not UE-specific;
- [97] ii) Modulation: 64 QAM is not supported for Sidelink.
- [98] - Physical Sidelink control channel: PSCCH is mapped to the Sidelink control resources. PSCCH indicates resource and other transmission parameters used by a UE for PSSCH.
- [99] - Sidelink reference signals: for PSDCH, PSCCH and PSSCH demodulation, reference signals similar to uplink demodulation reference signals are transmitted in the 4th symbol of the slot in normal CP and in the 3rd symbol of the slot in extended

- cyclic prefix. The Sidelink demodulation reference signals sequence length equals the size (number of sub-carriers) of the assigned resource. For PSDCH and PSCCH, reference signals are created based on a fixed base sequence, cyclic shift and orthogonal cover code.
- [100] - Physical channel procedure: for in-coverage operation, the power spectral density of the sidelink transmissions can be influenced by the eNB.
- [101] FIG. 11A is a conceptual diagram illustrating for User-Plane protocol stack for ProSe Direct Communication, and FIG. 11B is Control-Plane protocol stack for ProSe Direct Communication.
- [102] FIG. 11A shows the protocol stack for the user plane, where PDCP, RLC and MAC sublayers (terminate at the other UE) perform the functions listed for the user plane (e.g. header compression, HARQ retransmissions). The PC5 interface consists of PDCP, RLC, MAC and PHY as shown in FIG. 11A.
- [103] User plane details of ProSe Direct Communication: i) There is no HARQ feedback for ProSe Direct Communication, ii) RLC UM is used for ProSe Direct Communication, iii) A receiving UE needs to maintain at least one RLC UM entity per transmitting peer UE; iv) A receiving ProSe-RLC UM entity used for ProSe Direct Communication does not need to be configured prior to reception of the first RLC UMD PDU; v) ROHC Unidirectional -Mode is used for header compression in PDCP for ProSe Direct Communication.
- [104] A UE may establish multiple logical channels. LCID included within the MAC subheader uniquely identifies a logical channel within the scope of one Source Layer-2 ID and ProSe Layer-2 Group ID combination. Parameters for logical channel prioritization are not configured.
- [105] FIG. 11B shows the protocol stack for the control plane.
- [106] A UE does not establish and maintain a logical connection to receiving UEs prior to a ProSe Direct Communication.
- [107] In order to perform synchronization UE(s) may transmit synchronisation signal and SBCCH and become synchronization source. The Access Stratum protocol stack for SBCCH in the PC5 interface consists of RRC, RLC, MAC and PHY as shown FIG. 11B.
- [108] FIG. 12 is a conceptual diagram illustrating for a PC5 interface for ProSe Direct Discovery.
- [109] ProSe Direct Discovery is defined as the procedure used by the UE supporting Direct Discovery to discover other UE(s) in its proximity, using E-UTRA direct radio signals via PC5. ProSe Direct Discovery is supported only when the UE is served by E-UTRAN.
- [110] The UE can participate in announcing and monitoring of discovery message in both

- RRC\_IDLE and RRC\_CONNECTED states as per eNB configuration. The UE announces and monitors its discovery message subject to the half-duplex constraint.
- [111] The UE that participates in announcing and monitoring of discovery messages maintains the current UTC time. The UE that participates in announcing transmits the discovery message which is generated by the ProSe Protocol taking into account the UTC time upon transmission of the discovery message. In the monitoring UE the ProSe Protocol provides the message to be verified together with the UTC time upon reception of the message to the ProSe Function.
- [112] Radio Protocol Stack (AS) for ProSe Direct Discovery consists of only MAC and PHY.
- [113] The AS layer performs the following functions: i) Interfaces with upper layer (ProSe Protocol): The MAC layer receives the discovery message from the upper layer (ProSe Protocol). The IP layer is not used for transmitting the discovery message, ii) Scheduling: The MAC layer determines the radio resource to be used for announcing the discovery message received from upper layer, iii) Discovery PDU generation: The MAC layer builds the MAC PDU carrying the discovery message and sends the MAC PDU to the physical layer for transmission in the determined radio resource. No MAC header is added.
- [114] In case of UE autonomous resource selection, the eNB provides the UE(s) with the resource pool configuration used for announcing of discovery message. The configuration may be signalled in broadcast or dedicated signaling. The UE autonomously selects radio resource(s) from the indicated resource pool and announces discovery message, and the UE can announce discovery message on a randomly selected discovery resource during each discovery period.
- [115] Meanwhile, in case of Scheduled resource allocation, the UE in RRC\_CONNECTED may request resource(s) for announcing of discovery message from the eNB via RRC. The eNB assigns resource(s) via RRC, and the resources are allocated within the resource pool that is configured in UEs for monitoring.
- [116] For UEs in RRC\_IDLE, the eNB may select one of the following options: i) The eNB may provide a resource pool for UE autonomous resource selection based discovery message announcement in SIB 19. UEs that are authorized for Prose Direct Discovery use these resources for announcing discovery message in RRC\_IDLE, ii) The eNB may indicate in SIB 19 that it supports ProSe Direct Discovery but does not provide resources for discovery message announcement. UEs need to enter RRC\_CONNECTED in order to request resources for discovery message announcement.
- [117] For UEs in RRC\_CONNECTED, A UE authorized to perform ProSe Direct Discovery announcement indicates to the eNB that it wants to perform ProSe Direct

- Discovery announcement. The eNB validates whether the UE is authorized for ProSe Direct Discovery announcement using the UE context received from MME. The eNB may configure the UE with resource pool for UE autonomous resource selection for discovery message announcement via dedicated signaling. The eNB may configure resource pool along with dedicated resource in the form of time and frequency indices for discovery message announcement via dedicated RRC signaling. The dedicated resources allocated by the eNB are valid until the eNB re-configures the resource(s) by RRC signaling or, the UE enters RRC\_IDLE.
- [118] Authorized receiving UEs in RRC\_IDLE and RRC\_CONNECTED monitor resource pools used for UE autonomous resource selection and resource pools for scheduled resource allocation. The eNB provides the resource pool configuration used for discovery message monitoring in SIB 19. The SIB 19 may contain detailed ProSe Direct Discovery configuration used for announcing in neighbor cells of intra-frequency as well.
- [119] Synchronous and asynchronous deployments are supported. Discovery resources can be overlapping or non-overlapping across cells
- [120] A UE if authorized by the NW can announce discovery message only on serving cell. The UE can monitor discovery resources in the same as well as other frequencies than the serving cell, in same or different PLMNs.
- [121] For each subframe where a transmission takes place for the Sidelink process, one TB and the associated HARQ information is received from the Sidelink HARQ Entity.
- [122] The sequence of redundancy versions is 0, 2, 3, 1. The variable CURRENT\_IRV is an index into the sequence of redundancy versions. This variable is updated modulo 4.
- [123] For each received TB and associated HARQ information, the Sidelink process shall set CURRENT\_IRV to 0, and store the received data in the soft buffer and attempt to optionally decode the received data according to CURRENT\_IRV, if this is a new transmission.
- [124] Else if this is a retransmission, the Sidelink process shall increment CURRENT\_IRV by 1, and combine the received data with the data currently in the soft buffer for this TB and attempt to optionally decode the combined data according to the CURRENT\_IRV, if the data for this TB has not yet been successfully decoded.
- [125] If the data which the UE attempted to decode was successfully decoded for this TB, the Sidelink process shall deliver the decoded MAC PDU to the disassembly and demultiplexing entity if this is the first successful decoding of the data for this TB.
- [126] FIG. 13A is an example of ProSe BSR MAC control element for even N, FIG. 13B is an example of ProSe BSR MAC control element for odd N.
- [127] ProSe Buffer Status Report (BSR) MAC control element consists of ProSe BSR and ProSe Truncated BSR. The ProSe BSR includes one group index field, one LCG ID

field and one corresponding Buffer Size field per reported target group.

[128] The ProSe BSR is identified by MAC PDU subheaders with LCID as specified in table 1. It has a variable size.

[129] [Table 1]

[130]

Index	LCID values
00000	CCCH
00001-01010	Identity of the logical channel
01011	CCCH
01100-10101	Reserved
10110	Truncated Sidelink BSR
10111	Sidelink BSR
11000	Dual Connectivity Power Headroom Report
11001	Extended Power Headroom Report
11010	Power Headroom Report
11011	C-RNTI
11100	Truncated BSR
11101	Short BSR
11110	Long BSR
11111	Padding

[131] For each included group, the fields are defined as follow (FIGs. 13A and 13B):

[132] - Group index: The group index field identifies the ProSe destination group. The length of this field is 4 bits . The value is set to the index of the destination identity reported in ProseDestinationInfoList

[133] - LCG ID: The Logical Channel Group ID field identifies the group of logical channel(s) which buffer status is being reported. The length of the field is 2 bits and it is set to "11";

[134] - Buffer Size: The Buffer Size field identifies the total amount of data available across all logical channels of a ProSe Destiantion after all MAC PDUs for the TTI have been built. The amount of data is indicated in number of bytes. It shall include all data that is available for transmission in the RLC layer and in the PDCP layer; The size of the RLC and MAC headers are not considered in the buffer size computation. The length of this field is 6 bits.

[135] - R: Reserved bit, set to 0.

[136] FIGs. 14A to FIG. 14E are conceptual diagrams illustrating for a MAC PDU structure.

[137] A MAC PDU consists of a MAC header, zero or more MAC Service Data Units (MAC SDU), zero, or more MAC control elements, and optionally padding; as described in FIG. 14A.

[138] Both the MAC header and the MAC SDUs are of variable sizes.

[139] A MAC PDU header consists of one SL-SCH subheader, one or more MAC PDU subheaders; each subheader except SL-SCH subheader corresponds to either a MAC SDU, a MAC control element or padding.

[140] The SL-SCH subheader consists of the seven header fields V/R/R/R/R/SRC/DST.

[141] A MAC PDU subheader consists of the six header fields R/R/E/LCID/F/L but for the

last subheader in the MAC PDU and for fixed sized MAC control elements. The last subheader in the MAC PDU and subheaders for fixed sized MAC control elements consist solely of the four header fields R/R/E/LCID. A MAC PDU subheader corresponding to padding consists of the four header fields R/R/E/LCID.

[142] MAC PDU subheaders have the same order as the corresponding MAC control elements, MAC SDUs and padding.

[143] MAC control elements are always placed before any MAC SDUs.

[144] Padding occurs at the end of the MAC PDU, except when single-byte or two-byte padding is required. Padding may have any value and the UE shall ignore it. When padding is performed at the end of the MAC PDU, zero or more padding bytes are allowed.

[145] When single-byte or two-byte padding is required, one or two MAC PDU subheaders corresponding to padding are placed after the SL-SCH subheader and before any other MAC PDU subheader.

[146] A maximum of one MAC PDU can be transmitted per TB.

[147] FIG. 14B is a R/R/E/LCID/F/L sub-header with 7-bits L field, FIG. 14C is a R/R/E/LCID/F/L sub-header with 15-bits L field, FIG. 13D is a R/R/E/LCID MAC subheader.

[148] The MAC header is of variable size and consists of the following fields:

[149] 1) LCID: The Logical Channel ID field identifies the logical channel instance of the corresponding MAC SDU or the type of the corresponding MAC control element or padding as described in Tables 2, Table 3 and Table 4 for the DL-SCH, UL-SCH and MCH respectively. There is one LCID field for each MAC SDU, MAC control element or padding included in the MAC PDU. In addition to that, one or two additional LCID fields are included in the MAC PDU, when single-byte or two-byte padding is required but cannot be achieved by padding at the end of the MAC PDU. The LCID field size is 5 bits.

[150] [Table 2] Values of LCID for DL-SCH

[151]

Index	LCID values
00000	CCCH
00001-01010	Identity of the logical channel
01011-11010	Reserved
11011	Activation/Deactivation
11100	UE Contention Resolution Identity
11101	Timing Advance Command
11110	DRX Command
11111	Padding

[152] [Table 3] Values of LCID for UL-SCH

[153]

Index	LCID values
00000	CCCH
00001-01010	Identity of the logical channel
01011-11000	Reserved
11001	Extended Power Headroom Report
11010	Power Headroom Report
11011	C-RNTI
11100	Truncated BSR
11101	Short BSR
11110	Long BSR
11111	Padding

[154]

[Table 4] Values of LCID for MCH

[155]

Index	LCID values
00000	MCCH (see note)
00001-11100	MTCH
11101	Reserved
11110	MCH Scheduling Information
11111	Padding
NOTE: If there is no MCCH on MCH, an MTCH could use this value.	

[156]

2) L: The Length field indicates the length of the corresponding MAC SDU or variable-sized MAC control element in bytes. There is one L field per MAC PDU subheader except for the last subheader and subheaders corresponding to fixed-sized MAC control elements. The size of the L field is indicated by the F field.

[157]

3) F: The Format field indicates the size of the Length field as indicated in Table 5. There is one F field per MAC PDU subheader except for the last subheader and subheaders corresponding to fixed-sized MAC control elements. The size of the F field is 1 bit. If the size of the MAC SDU or variable-sized MAC control element is less than 128 bytes, the value of the F field is set to 0, otherwise it is set to 1.

[158]

[Table 5] Values of F field

[159]

Index	Size of Length field (in bits)
0	7
1	15

[160]

4) E: The Extension field is a flag indicating if more fields are present in the MAC header or not. The E field is set to "1" to indicate another set of at least R/R/E/LCID fields. The E field is set to "0" to indicate that either a MAC SDU, a MAC control element or padding starts at the next byte.

[161]

5) R: Reserved bit, set to "0".

[162]

In the legacy system, the Logical Channel ID (LCID) is used to identify the logical channel instance of the corresponding MAC SDU or the type of the corresponding MAC control element or padding. There is one LCID field for each MAC SDU, MAC control element or padding included in the MAC PDU. The Logical Channel ID is

allocated for each logical channel when the Radio Bearer is setup. Currently, there are 8 values available for data radio bearer (3 to 10).

- [163] FIG. 14E is SL-SCH MAC subheader. The MAC subheader in FIG. 14E consists of the seven header fields V/R/R/R/R/SRC/DST. The MAC header is of variable size and consists of the following fields: i) 'V' is a MAC PDU format version number field indicates which version of the SL-SCH subheader is used. In this version of the specification only one format version is defined, and this field shall therefore be set to "0001". The V field size is 4 bits, ii) 'SRC' is the source ID (or Source Layer-2 ID field) carries the identity of the source. It is set to the ProSe UE ID. The SRC field size is 24 bits, iii) 'DST' is a DST field carries the 16 most significant bits of a target ID (or Destination Layer-2 ID). The Destination Layer-2 ID is set to the ProSe Layer-2 Group ID, iv) 'R' is a reserved bit, set to "0".
- [164] The source ID (SRC) identifies the sender of the data in sidelink ProSe Direct Communication. The source ID is 24 bits long and is used together with ProSe Layer-2 Group ID and LCID for identification of the RLC UM entity and PDCP entity in the receiver.
- [165] The target ID (DST) identifies the target of the data in sidelink ProSe Direct Communication. The target ID is 24 bits long and is split in the MAC layer into two bit strings: i) One bit string is the LSB part (8 bits) of target ID and forwarded to physical layer as Sidelink Control Layer-1 ID. This identifies the target of the intended data in Sidelink Control and is used for filtering of packets at the physical layer. ii) Second bit string is the MSB part (16 bits) of the target ID and is carried within the MAC header. This is used for filtering of packets at the MAC layer.
- [166] No Access Stratum signalling is required for group formation and to configure source ID, target ID and Sidelink Control L1 ID in the UE. These identities are either provided by higher layer or derived from identities provided by higher layer. In case of groupcast and broadcast, the ProSe UE ID provided by higher layer is used directly as the source ID and the ProSe Layer-2 Group ID provided by higher layer is used directly as the target ID in the MAC layer.
- [167] The source ID can be indicated by a higher layer or generated by a source UE itself. If each UE generates its own D2D-ID by itself before executing D2D communication, the problem is that each generated D2D-ID may be same, in which case the D2D communication would not last. There should be some methods defined for handling D2D-ID collision case.
- [168] In the prior art, the data successfully decoded in the Sidelink process is delivered to RLC regardless of whether the data is targeted for the UE. The untargeted data is regarded as an erroneous data in RLC, which would cause protocol errors. Thus, the delivery of untargeted data to RLC should be avoided.

[169] FIG. 15 is a diagram for performing a Packet filtering for ProSe in a D2D communication system according to embodiments of the present invention.

[170] It is invented that when the data, i.e. MAC PDU, is successfully decoded from the received TB, the UE checks first whether the data is targeted for the UE. The checking is performed by comparing whether the DST field of the received data is equal to 16 Most Significant Bits of one of the UE's ProSe Layer-2 Group ID. If they are equal, the UE considers that the data is targeted for the UE, and processes further to deliver it to RLC. Otherwise, i.e. if they are not equal, the UE considers that the data is targeted for other UEs, and discards the data.

[171] In detail, the UE configures with a plurality of identifiers of the UE (S1501).

[172] Preferably, the identifiers identify ProSe groups to which the UE belongs, and a size of the identifiers is greater than 16 bits. The identifiers of the UE comprise a ProSe layer-2 group ID or a Destination Layer-2 IDs.

[173] When a MAC entity of the UE receives MAC PDU including an indicator (S1503), the UE decodes the MAC PDU (S1505).

[174] Preferably, the indicator is included in a MAC header, and the indicator is a DST field of a MAC PDU subheader.

[175] Preferably, the MAC PDU is received from other UEs directly via PC5 interface.

[176] The MAC entity of the UE determines whether to deliver the MAC PDU to a RLC entity after successfully decoding the MAC PDU based on whether the indicator of a MAC PDU subheader is equal to 16 MSB of any of identifiers of the UE (S1507).

[177] The MAC entity of the UE delivers the MAC PDU to an RLC entity if the UE determines to deliver the MAC PDU (S1509). Else if the UE determines not to deliver the MAC PDU, the MAC entity of the UE discards the MAC PDU (S1511).

[178] For example, the UE configures a plurality of Destination Layer-2 IDs of the UE. When the MAC entity of the UE receives a MAC PDU including a DST field, the MAC entity of the UE whether the DST field of a MAC PDU subheader is equal to 16 MSB of any of Destination Layer-2 IDs of the UE. If the DST field of a MAC PDU subheader is equal to 16 MSB of any of Destination Layer-2 IDs of the UE, the MAC entity of the UE delivers the MAC PDU to a RLC entity, after successfully decoding the MAC PDU. Else if the DST field of a MAC PDU subheader is not equal to 16 MSB of any of identifiers of the UE, the MAC entity of the UE discards the MAC PDU.

[179] Also for another example, the UE configures a plurality of Destination Layer-2 IDs of the UE. When the MAC entity of the UE receives a MAC PDU including a DST field, the MAC entity of the UE checks whether the DST field of the decoded MAC PDU subheader is equal to the 16 MSB of any of the Destination Layer-2 ID(s) of the UE for which the 8 LSB are equal to the Group Destination ID in the corresponding

SCI. If the DST field of the decoded MAC PDU subheader is equal to the 16 MSB of any of the Destination Layer-2 ID(s) of the UE for which the 8 LSB are equal to the Group Destination ID in the corresponding SCI, the MAC entity of the UE delivers the decoded MAC PDU to the disassembly and demultiplexing entity. Else if the DST field of the decoded MAC PDU subheader is not equal to the 16 MSB of any of the Destination Layer-2 ID(s) of the UE for which the 8 LSB are equal to the Group Destination ID in the corresponding SCI, the MAC entity of the UE discards the MAC PDU.

- [180] The embodiments of the present invention described herein below are combinations of elements and features of the present invention. The elements or features may be considered selective unless otherwise mentioned. Each element or feature may be practiced without being combined with other elements or features. Further, an embodiment of the present invention may be constructed by combining parts of the elements and/or features. Operation orders described in embodiments of the present invention may be rearranged. Some constructions of any one embodiment may be included in another embodiment and may be replaced with corresponding constructions of another embodiment. It is obvious to those skilled in the art that claims that are not explicitly cited in each other in the appended claims may be presented in combination as an embodiment of the present invention or included as a new claim by subsequent amendment after the application is filed.
- [181] In the embodiments of the present invention, a specific operation described as performed by the BS may be performed by an upper node of the BS. Namely, it is apparent that, in a network comprised of a plurality of network nodes including a BS, various operations performed for communication with an MS may be performed by the BS, or network nodes other than the BS. The term 'eNB' may be replaced with the term 'fixed station', 'Node B', 'Base Station (BS)', 'access point', etc.
- [182] The above-described embodiments may be implemented by various means, for example, by hardware, firmware, software, or a combination thereof.
- [183] In a hardware configuration, the method according to the embodiments of the present invention may be implemented by one or more Application Specific Integrated Circuits (ASICs), Digital Signal Processors (DSPs), Digital Signal Processing Devices (DSPDs), Programmable Logic Devices (PLDs), Field Programmable Gate Arrays (FPGAs), processors, controllers, microcontrollers, or microprocessors.
- [184] In a firmware or software configuration, the method according to the embodiments of the present invention may be implemented in the form of modules, procedures, functions, etc. performing the above-described functions or operations. Software code may be stored in a memory unit and executed by a processor. The memory unit may be located at the interior or exterior of the processor and may transmit and receive data to

and from the processor via various known means.

[185] Those skilled in the art will appreciate that the present invention may be carried out in other specific ways than those set forth herein without departing from the spirit and essential characteristics of the present invention. The above embodiments are therefore to be construed in all aspects as illustrative and not restrictive. The scope of the invention should be determined by the appended claims and their legal equivalents, not by the above description, and all changes coming within the meaning and equivalency range of the appended claims are intended to be embraced therein.

### **Industrial Applicability**

[186] While the above-described method has been described centering on an example applied to the 3GPP LTE system, the present invention is applicable to a variety of wireless communication systems in addition to the 3GPP LTE system.

[187]

## Claims

- [Claim 1] A method for a User Equipment (UE) operating in a wireless communication system, the method comprising:  
configuring a plurality of identifiers of the UE;  
receiving, by a Medium Access Control (MAC) entity, a Medium Access Control Protocol Data Unit (MAC PDU) including an indicator;  
checking, by the MAC entity, whether the indicator is equal to 16 Most Significant Bit (MSB) of any of identifiers of the UE; and  
delivering, by the MAC entity, the MAC PDU, to a Radio Link Control (RLC) entity, after successfully decoding the MAC PDU, if the indicator is equal to 16 MSB of any of identifiers of the UE.
- [Claim 2] The method according to claim 1, wherein the identifiers of the UE comprise a ProSe layer-2 group ID or a Destination Layer-2 IDs.
- [Claim 3] The method according to claim 1, wherein the indicator is included in a MAC header.
- [Claim 4] The method according to claim 1, wherein the indicator is a DST field of a MAC PDU subheader.
- [Claim 5] The method according to claim 1, wherein the MAC PDU is received from other UEs directly via PC5 interface.
- [Claim 6] The method according to claim 1, wherein the identifiers identify ProSe groups to which the UE belongs.
- [Claim 7] The method according to claim 1, wherein a size of the identifiers is greater than 16 bits.
- [Claim 8] The method according to claim 1, wherein if the indicator is not equal to 16 MSB of any of identifiers of the UE, the MAC entity of the UE discards the MAC PDU.
- [Claim 9] A method for a User Equipment (UE) operating in a wireless communication system, the method comprising:  
configuring a plurality of Destination Layer-2 IDs of the UE;  
receiving, by a Medium Access Control (MAC) entity, a Medium Access Control Protocol Data Unit (MAC PDU) including a DST field;  
checking, by the MAC entity, whether the DST field of a MAC PDU subheader is equal to 16 MSB of any of Destination Layer-2 IDs of the UE; and  
delivering the MAC PDU, to a Radio Link Control (RLC) entity, after successfully decoding the MAC PDU, if the DST field of a MAC PDU subheader is equal to 16 MSB of any of Destination Layer-2 IDs of the

UE.

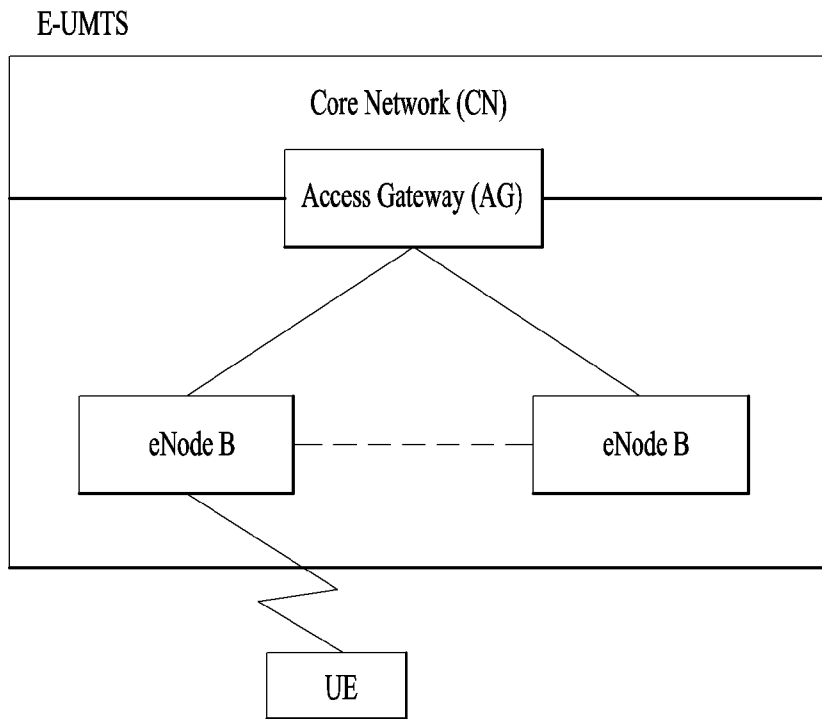
[Claim 10]

A method for a User Equipment (UE) operating in a wireless communication system, the method comprising:  
configuring a plurality of Destination Layer-2 IDs of the UE;  
receiving, by a Medium Access Control (MAC) entity, a Medium Access Control Protocol Data Unit (MAC PDU) including a DST field;  
decoding the MAC PDU;  
determining whether to deliver the MAC PDU to a Radio Link Control (RLC) entity after successfully decoding the MAC PDU based on whether the DST field of a MAC PDU subheader is equal to 16 MSB of any of Destination Layer-2 IDs of the UE; and  
delivering the MAC PDU if the UE determines to deliver the MAC PDU.

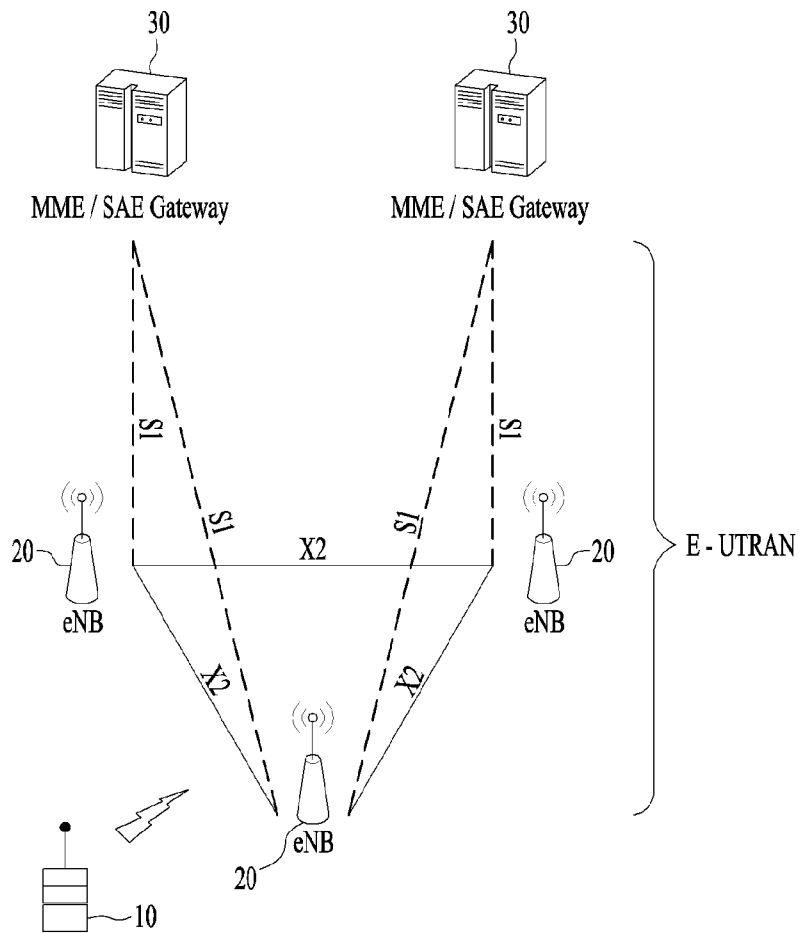
[Claim 11]

A communication apparatus adapted to carry out the method of any one of claims 1 to 10.

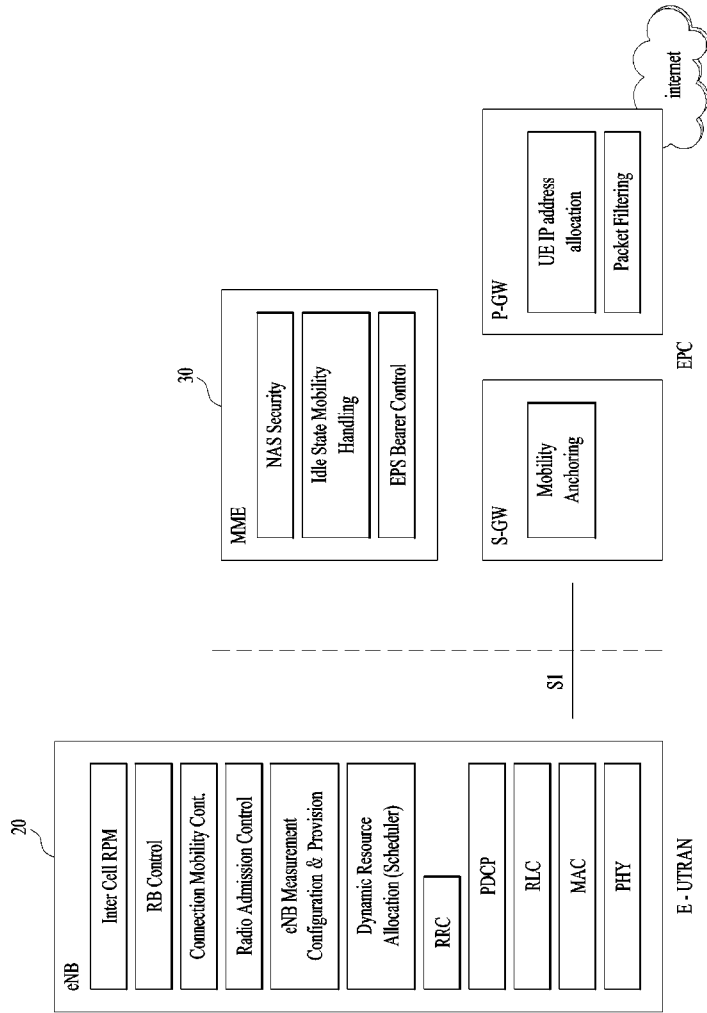
[Fig. 1]



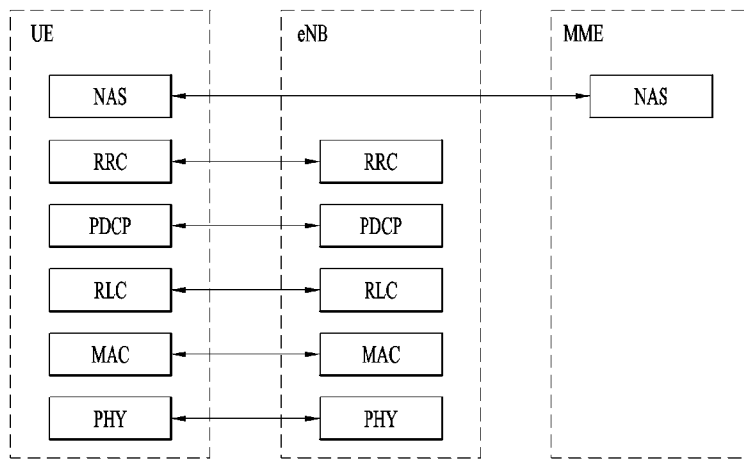
[Fig. 2A]



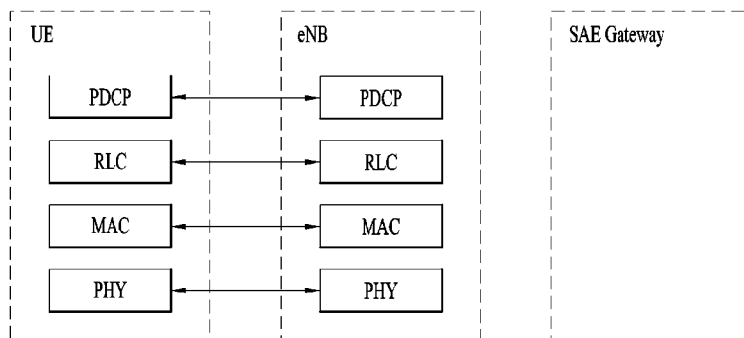
[Fig. 2B]



[Fig. 3]

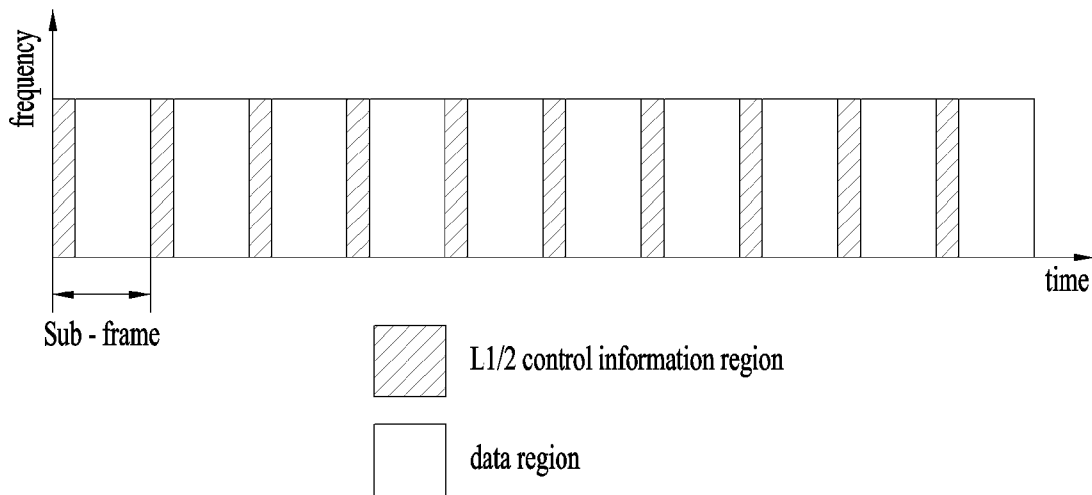


(a) Control-Plane Protocol Stack

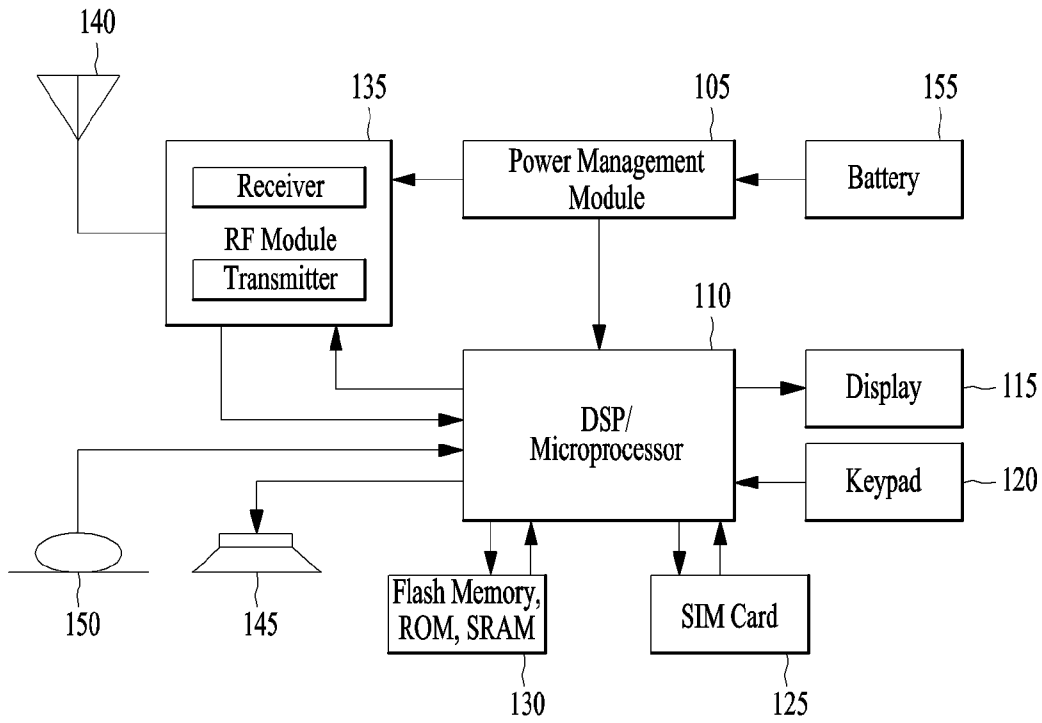


(b) User-Plane Protocol Stack

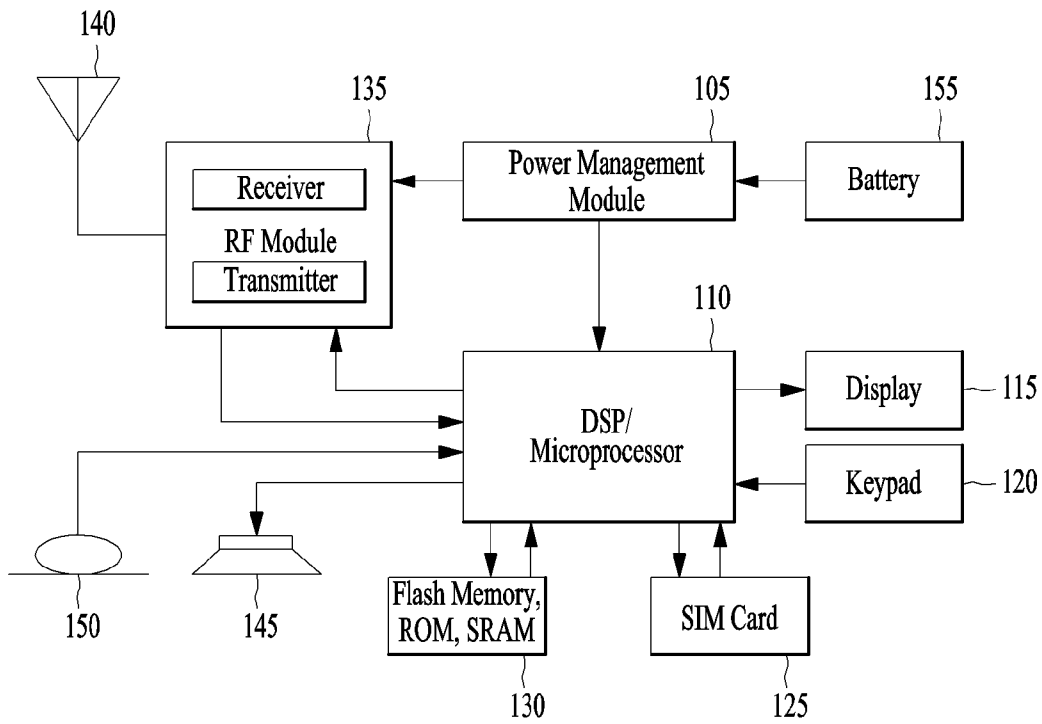
[Fig. 4]



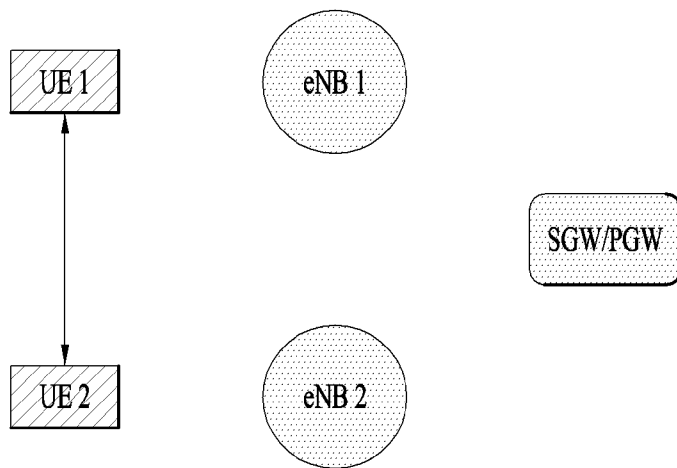
[Fig. 5]



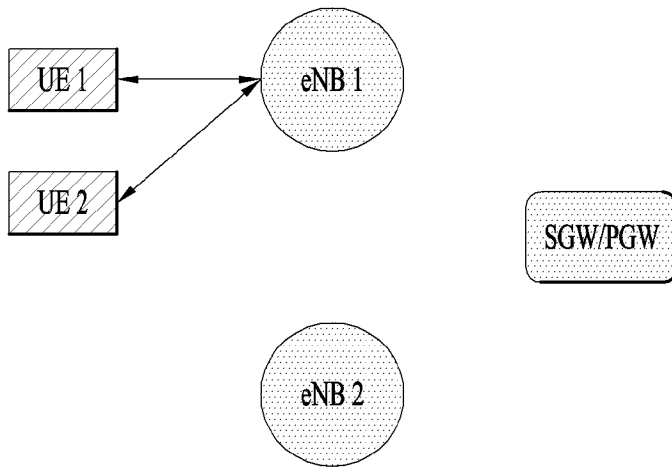
[Fig. 6]



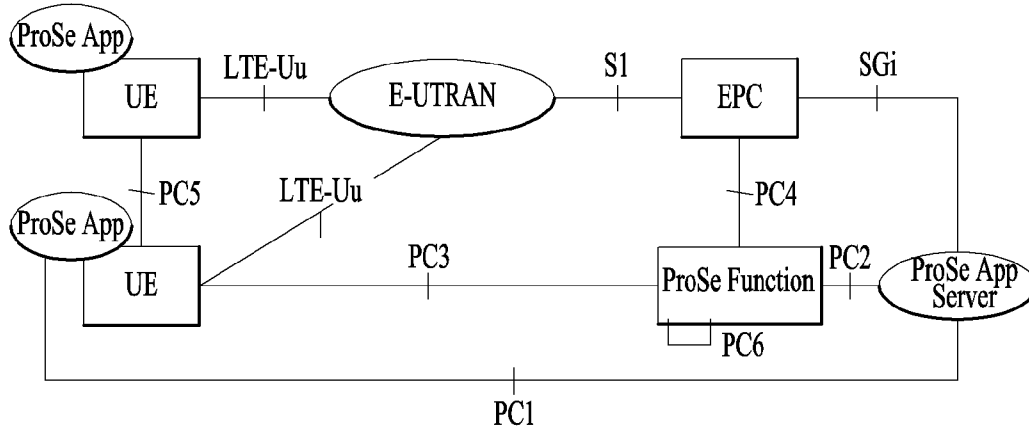
[Fig. 7]



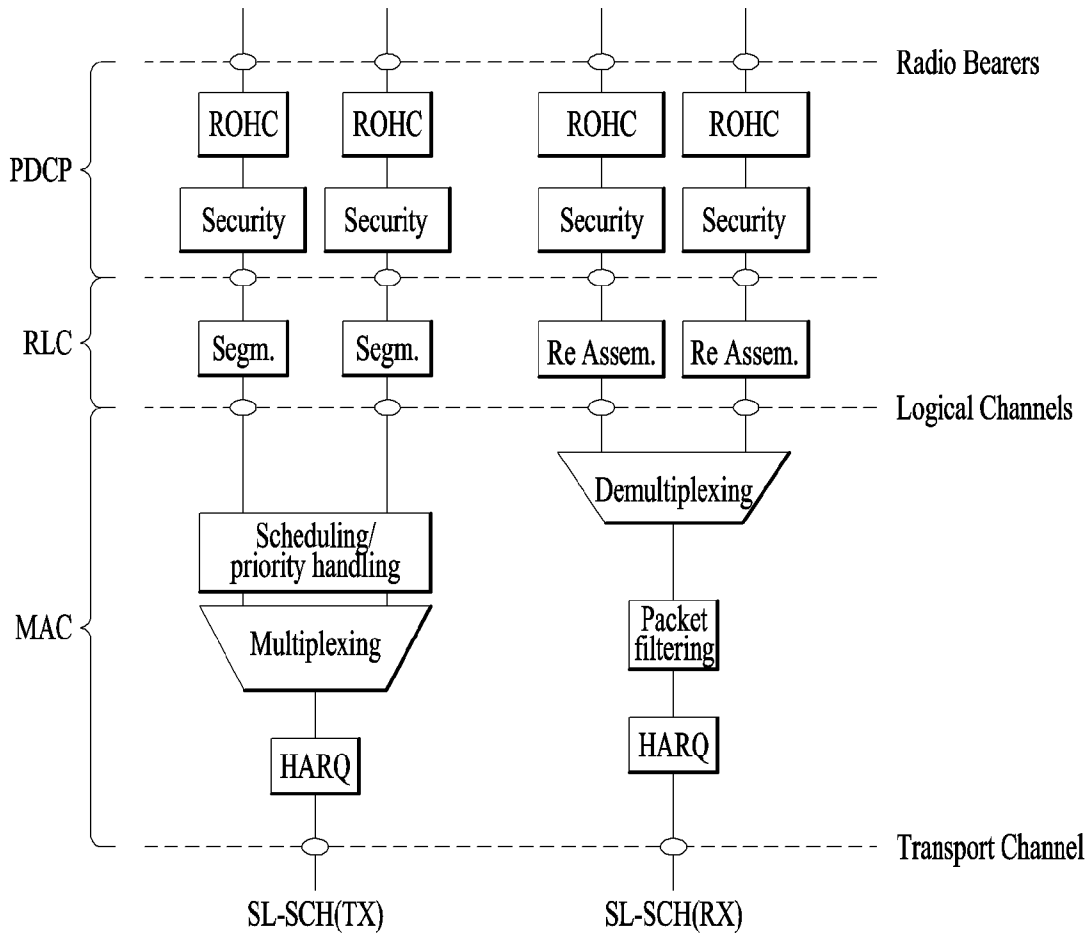
[Fig. 8]



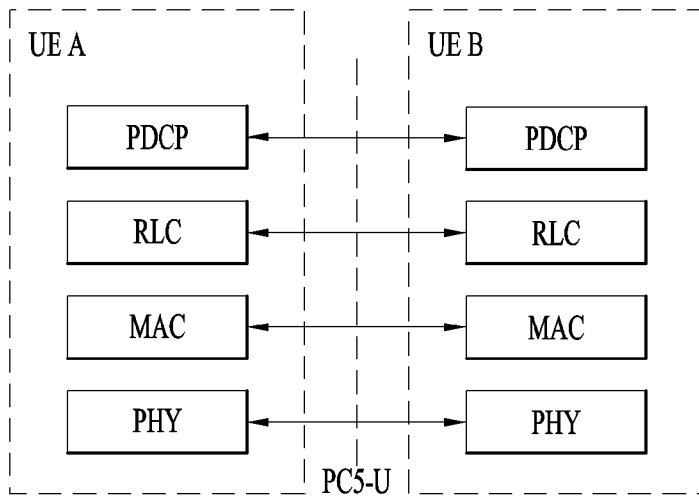
[Fig. 9]



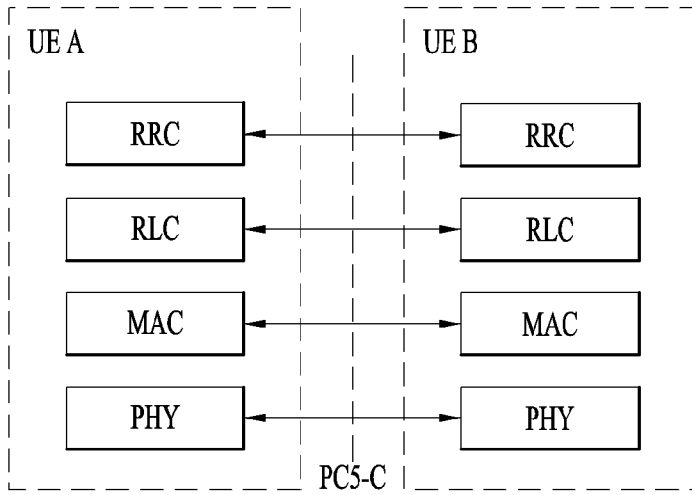
[Fig. 10]



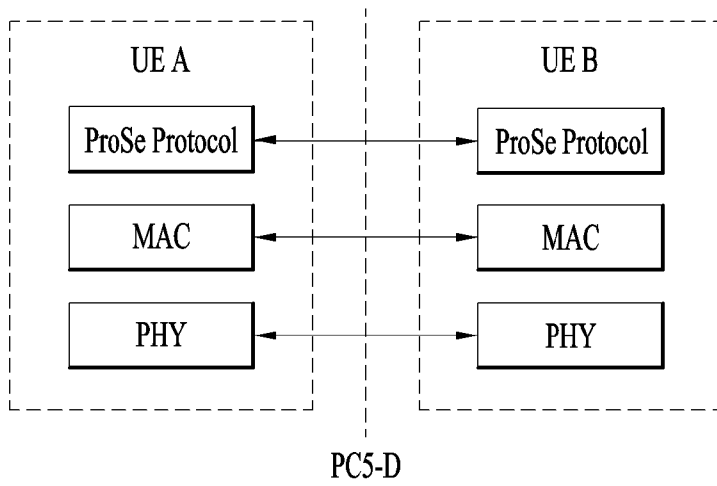
[Fig. 11A]



[Fig. 11B]



[Fig. 12]



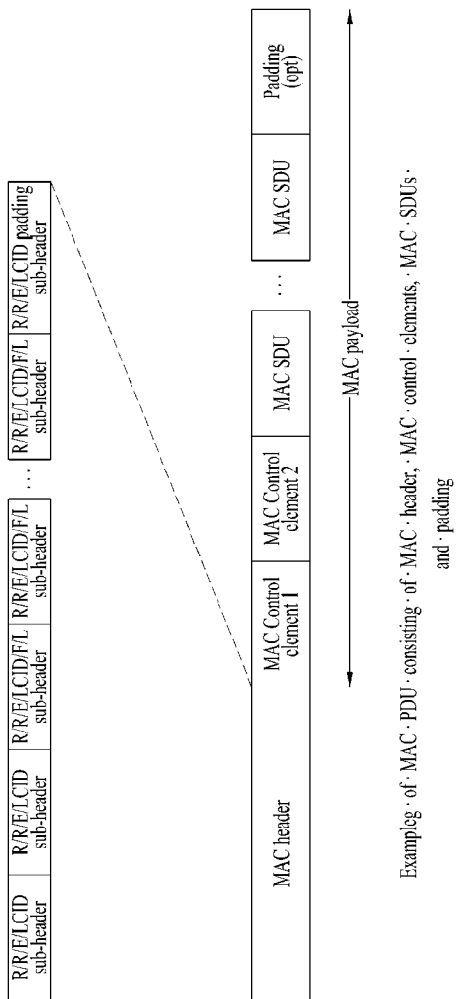
[Fig. 13A]

Group index <sub>1</sub>	LCG ID <sub>1</sub>	Buffer Size <sub>1</sub>	Oct 1
Buffer Size <sub>1</sub>	Group index <sub>2</sub>		Oct 2
LCG ID <sub>2</sub>	Buffer Size <sub>2</sub>		Oct 3
...			
Group index <sub>N-1</sub>	LCG ID <sub>N-1</sub>	Buffer Size <sub>N-1</sub>	Oct 1.5*N-2
Buffer Size <sub>N-1</sub>	Group index <sub>N</sub>		Oct 1.5*N-1
LCG ID <sub>N</sub>	Buffer Size <sub>N</sub>		Oct 1.5*N

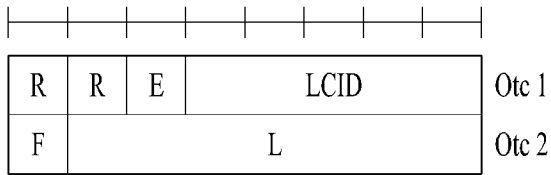
[Fig. 13B]

Group index <sub>1</sub>		LCG ID <sub>1</sub>		Buffer Size <sub>1</sub>		Oct 1
Buffer Size <sub>1</sub>		Group index <sub>2</sub>				Oct 2
LCG ID <sub>2</sub>		Buffer Size <sub>2</sub>				Oct 3
...						
Group index <sub>N</sub>		LCG ID <sub>N</sub>		Buffer Size <sub>N</sub>		Oct 1.5*N-0.5
Buffer Size <sub>N</sub>		R	R	R	R	Oct 1.5*N+0.5

[Fig. 14A]

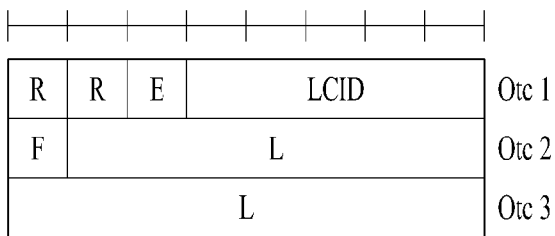


[Fig. 14B]



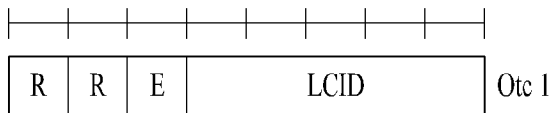
R/R/E/LCID/F/L sub-header with  
7-bits L field

[Fig. 14C]



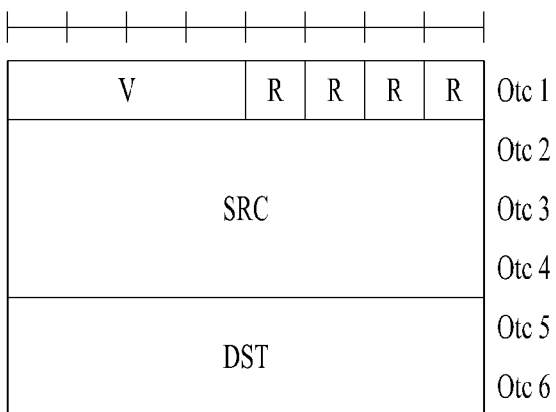
R/R/E/LCID/F/L sub-header with  
15-bits L field

[Fig. 14D]

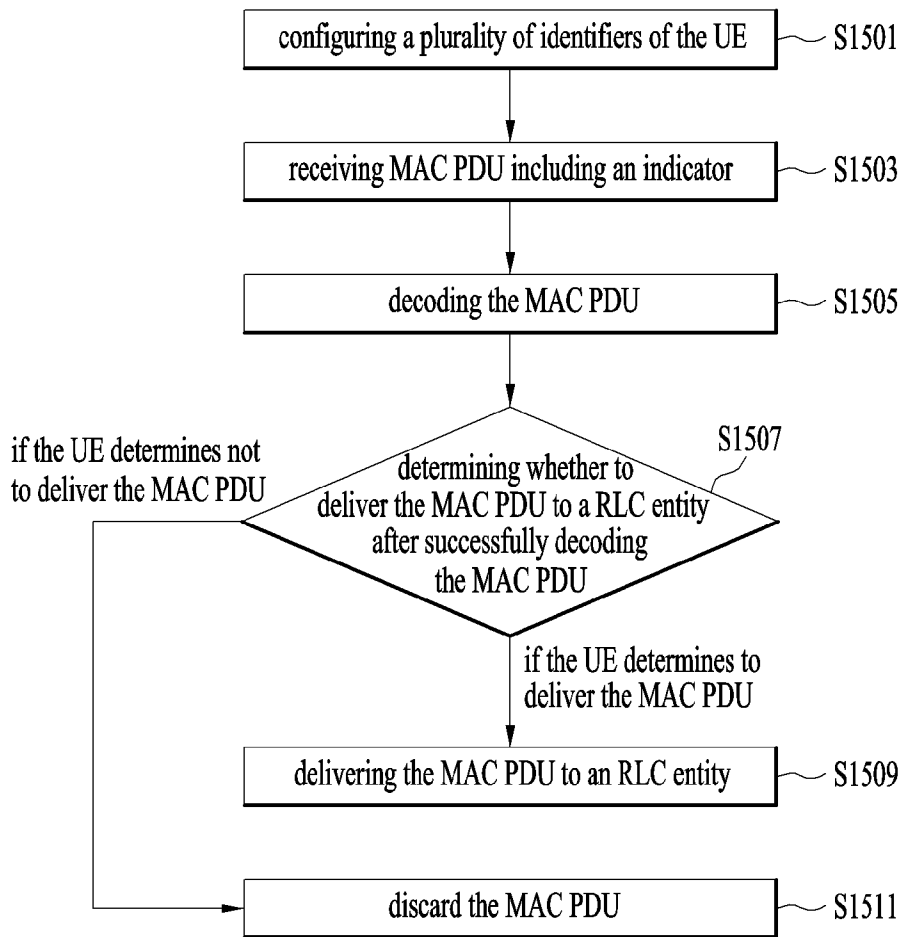


R/R/E/LCID sub-header

[Fig. 14E]



[Fig. 15]



## INTERNATIONAL SEARCH REPORT

International application No.  
**PCT/KR2016/000646****A. CLASSIFICATION OF SUBJECT MATTER****H04L 29/08(2006.01)i, H04L 29/06(2006.01)i, H04B 7/26(2006.01)i**

According to International Patent Classification (IPC) or to both national classification and IPC

**B. FIELDS SEARCHED**

Minimum documentation searched (classification system followed by classification symbols)

H04L 29/08; H04B 7/24; H04W 48/16; H04W 4/08; H04W 52/02; H04W 72/04; H04L 29/06; H04B 7/26

Documentation searched other than minimum documentation to the extent that such documents are included in the fields searched

Korean utility models and applications for utility models  
Japanese utility models and applications for utility models

Electronic data base consulted during the international search (name of data base and, where practicable, search terms used)

eKOMPASS(KIPO internal) &amp; keywords: D2D, identifier, MSB, filter

**C. DOCUMENTS CONSIDERED TO BE RELEVANT**

Category*	Citation of document, with indication, where appropriate, of the relevant passages	Relevant to claim No.
Y	WO 2015-005693 A1 (SAMSUNG ELECTRONICS CO., LTD.) 15 January 2015 See paragraphs [101], [213]; claims 19-25; and figure 5.	1-11
Y	INTEL CORPORATION, 'ProSe Identities in MAC specification', R2-145175, 3GPP TSG-RAN WG2 Meeting #88, San Francisco, USA, 08 November 2014. See pages 1-3.	1-11
A	WO 2013-154328 A1 (LG ELECTRONICS INC.) 17 October 2013 See paragraphs [0128]-[0135]; claims 1-4; and figures 9A, 9B.	1-11
A	US 2013-0188627 A1 (ELECTRONICS AND TELECOMMUNICATIONS RESEARCH INSTITUTE) 2 5 July 2013 See abstract; paragraphs [0030]-[0046]; and figures 2-4.	1-11
A	US 2013-0051296 A1 (GI WON PARK et al.) 28 February 2013 See abstract; claims 1-8; and figure 6.	1-11

 Further documents are listed in the continuation of Box C. See patent family annex.

\* Special categories of cited documents:

"A" document defining the general state of the art which is not considered to be of particular relevance

"E" earlier application or patent but published on or after the international filing date

"L" document which may throw doubts on priority claim(s) or which is cited to establish the publication date of another citation or other special reason (as specified)

"O" document referring to an oral disclosure, use, exhibition or other means

"P" document published prior to the international filing date but later than the priority date claimed

"T" later document published after the international filing date or priority date and not in conflict with the application but cited to understand the principle or theory underlying the invention

"X" document of particular relevance; the claimed invention cannot be considered novel or cannot be considered to involve an inventive step when the document is taken alone

"Y" document of particular relevance; the claimed invention cannot be considered to involve an inventive step when the document is combined with one or more other such documents, such combination being obvious to a person skilled in the art

"&amp;" document member of the same patent family

Date of the actual completion of the international search

21 April 2016 (21.04.2016)

Date of mailing of the international search report

**30 May 2016 (30.05.2016)**

Name and mailing address of the ISA/KR

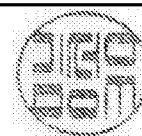
International Application Division  
Korean Intellectual Property Office  
189 Cheongsa-ro, Seo-gu, Daejeon, 35208, Republic of Korea

Facsimile No. +82-42-481-8578

Authorized officer

KIM, Seong Woo

Telephone No. +82-42-481-3348



**INTERNATIONAL SEARCH REPORT**

Information on patent family members

International application No.

**PCT/KR2016/000646**

Patent document cited in search report	Publication date	Patent family member(s)	Publication date
WO 2015-005693 A1	15/01/2015	CA 2917993 A1	15/01/2015
WO 2013-154328 A1	17/10/2013	KR 10-2015-0014450 A US 2015-0045078 A1 US 2015-0105113 A1 WO 2013-154326 A1	06/02/2015 12/02/2015 16/04/2015 17/10/2013
US 2013-0188627 A1	25/07/2013	KR 10-2013-0066542 A KR 10-2013-0066545 A US 9113313 B2	20/06/2013 20/06/2013 18/08/2015
US 2013-0051296 A1	28/02/2013	CN 102958137 A CN 102958157 A EP 2568721 A1 EP 2568721 B1 EP 2568722 A1 EP 2568722 B1 US 2013-0051295 A1 US 8885534 B2 US 8929267 B2	06/03/2013 06/03/2013 13/03/2013 15/10/2014 13/03/2013 05/11/2014 28/02/2013 11/11/2014 06/01/2015