

(19) World Intellectual Property Organization  
International Bureau



(43) International Publication Date  
15 January 2009 (15.01.2009)

PCT

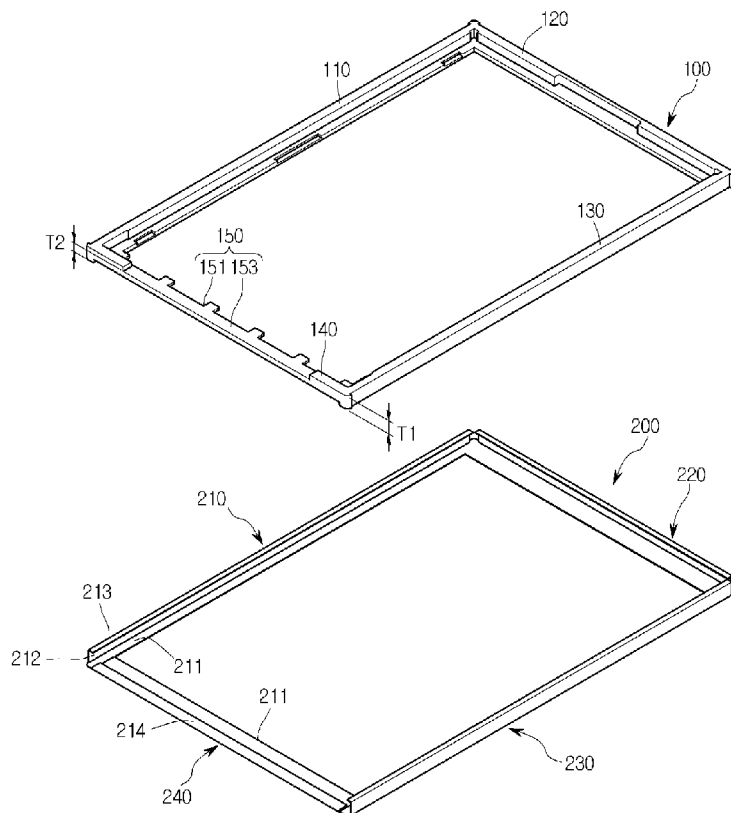
(10) International Publication Number  
**WO 2009/008618 A3**

- (51) International Patent Classification: **G02F 1/1333** (2006.01)
- (21) International Application Number: PCT/KR2008/003877
- (22) International Filing Date: 1 July 2008 (01.07.2008)
- (25) Filing Language: English
- (26) Publication Language: English
- (30) Priority Data:
  - 10-2007-0067994 6 July 2007 (06.07.2007) KR
  - 10-2007-0069895 12 July 2007 (12.07.2007) KR
  - 10-2007-0072680 20 July 2007 (20.07.2007) KR
- (71) Applicant (for all designated States except US): **LG INNOTEK CO., LTD** [KR/KR]; 33Fl., LG Twin Tower West, 20 Yeouido-dong, Yeongdeungpo-gu, Seoul 150-721 (KR).
- (72) Inventors; and
- (75) Inventors/Applicants (for US only): **CHOI, Hyun Ho** [KR/KR]; 3375, Singil-dong, Yeongdeungpo-gu, Seoul
- 150-050 (KR). **KIM, Han Young** [KR/KR]; 101-506, ESA Apt., Banghak 1-dong, Dobong-gu, Seoul 132-694 (KR).
- (74) Agent: **HAW, Yong Noke**; 6th Fl., Hyun Juk Bldg., 832-41, Yeoksam-dong, Gangnam-gu, Seoul 135-080 (KR).
- (81) Designated States (unless otherwise indicated, for every kind of national protection available): AE, AG, AL, AM, AO, AT, AU, AZ, BA, BB, BG, BH, BR, BW, BY, BZ, CA, CH, CN, CO, CR, CU, CZ, DE, DK, DM, DO, DZ, EC, EE, EG, ES, FI, GB, GD, GE, GH, GM, GT, HN, HR, HU, ID, IL, IN, IS, JP, KE, KG, KM, KN, KP, KZ, LA, LC, LK, LR, LS, LT, LU, LY, MA, MD, ME, MG, MK, MN, MW, MX, MY, MZ, NA, NG, NI, NO, NZ, OM, PG, PH, PL, PT, RO, RS, RU, SC, SD, SE, SG, SK, SL, SM, SV, SY, TJ, TM, TN, TR, TT, TZ, UA, UG, US, UZ, VC, VN, ZA, ZM, ZW.
- (84) Designated States (unless otherwise indicated, for every kind of regional protection available): ARIPO (BW, GH, GM, KE, LS, MW, MZ, NA, SD, SL, SZ, TZ, UG, ZM, ZW), Eurasian (AM, AZ, BY, KG, KZ, MD, RU, TJ, TM),

[Continued on next page]

(54) Title: DISPLAY DEVICE

[Fig. 2]



(57) Abstract: Disclosed is a display device. The display device comprises a liquid crystal panel, a backlight assembly disposed below the liquid crystal panel, a frame receiving at least a part of the liquid crystal panel and the backlight assembly, and a chassis disposed at the frame. At least a part of the chassis is inserted into the frame, so that the strength of the frame and the chassis can be improved.

WO 2009/008618 A3



European (AT, BE, BG, CH, CY, CZ, DE, DK, EE, ES, FI, FR, GB, GR, HR, HU, IE, IS, IT, LT, LU, LV, MC, MT, NL, NO, PL, PT, RO, SE, SI, SK, TR), OAPI (BF, BJ, CF, CG, CI, CM, GA, GN, GQ, GW, ML, MR, NE, SN, TD, TG).

— *before the expiration of the time limit for amending the claims and to be republished in the event of receipt of amendments*

**Published:**

— *with international search report*

**(88) Date of publication of the international search report:**

12 March 2009

**A. CLASSIFICATION OF SUBJECT MATTER****G02F 1/1333(2006.01)i**

According to International Patent Classification (IPC) or to both national classification and IPC

**B. FIELDS SEARCHED**

Minimum documentation searched (classification system followed by classification symbols)

IPC G02F

Documentation searched other than minimum documentation to the extent that such documents are included in the fields searched

Korean Utility models and applications for Utility models since 1975

Japanese Utility models and applications for Utility models since 1975

Electronic data base consulted during the international search (name of data base and, where practicable, search terms used)

eKIPASS (KIPO internal) &amp; keywords: "chassis", "frame", "absorb\*", "impact\*", "bezel", "LED"

**C. DOCUMENTS CONSIDERED TO BE RELEVANT**

Category*	Citation of document, with indication, where appropriate, of the relevant passages	Relevant to claim No.
X Y	KR 0732998 B1 (W.D., JIN) 28 June 2007 See pages 2-3 and figures 1-4.	1-4,7 5,6
X Y	KR 2005-0100930 A (SAMSUNG ELECTRONICS CO., LTD.) 20 October 2005 See pages 3-4 and figures 1-5.	15,19,20 5,6,13,16-18
X Y	KR 2006-0059476 A (SAMSUNG ELECTRONICS CO., LTD.) 02 June 2006 See pages 2-3 and figure 1.	8-12,14 13
Y	KR 2007-0066081 A (LG INNOTEK CO., LTD.) 27 June 2007 See page 3 and figures 5-6.	16-18
Y	JP 2000-214457 A (MATSUSHITA ELECTRIC IND. CO., LTD.) 04 August 2000 See paragraph [0013] - paragraph [0022] and figures 1-2.	16-18

 Further documents are listed in the continuation of Box C. See patent family annex.

\* Special categories of cited documents:

"A" document defining the general state of the art which is not considered to be of particular relevance

"E" earlier application or patent but published on or after the international filing date

"L" document which may throw doubts on priority claim(s) or which is cited to establish the publication date of citation or other special reason (as specified)

"O" document referring to an oral disclosure, use, exhibition or other means

"P" document published prior to the international filing date but later than the priority date claimed

"T" later document published after the international filing date or priority date and not in conflict with the application but cited to understand the principle or theory underlying the invention

"X" document of particular relevance; the claimed invention cannot be considered novel or cannot be considered to involve an inventive step when the document is taken alone

"Y" document of particular relevance; the claimed invention cannot be considered to involve an inventive step when the document is combined with one or more other such documents, such combination being obvious to a person skilled in the art

"&amp;" document member of the same patent family

Date of the actual completion of the international search

21 JANUARY 2009 (21.01.2009)

Date of mailing of the international search report

**21 JANUARY 2009 (21.01.2009)**

Name and mailing address of the ISA/KR

Korean Intellectual Property Office  
Government Complex-Daejeon, 139 Seonsa-ro, Seo-gu,  
Daejeon 302-701, Republic of Korea

Facsimile No. 82-42-472-7140

Authorized officer

SHIN, Yeong Kyo

Telephone No. 82-42-481-5227



**INTERNATIONAL SEARCH REPORT**

Information on patent family members

International application No.

**PCT/KR2008/003877**

Patent document cited in search report	Publication date	Patent family member(s)	Publication date
KR 10-0732998 B1	28.06.2007	None	
KR 10-2005-0100930 A	20.10.2005	None	
KR 10-2006-0059476 A	02.06.2006	None	
KR 10-2007-0066081 A	27.06.2007	US 2008-0297680 A1 WO 2007-073100 A1	04.12.2008 28.06.2007
JP 2000-214457 A	04.08.2000	None	