



US00D656490S

(12) **United States Design Patent**  
**Birger**

(10) **Patent No.:** **US D656,490 S**

(45) **Date of Patent:** **\*\* Mar. 27, 2012**

(54) **HEADSET**

(75) Inventor: **Johan Birger**, Malmö (SE)

(73) Assignee: **GN Netcom A/S** (DK)

(\*\*) Term: **14 Years**

(21) Appl. No.: **29/382,593**

(22) Filed: **Jan. 5, 2011**

(30) **Foreign Application Priority Data**

Jul. 6, 2010 (EM) ..... 001728148-0001

(51) **LOC (9) Cl.** ..... **14-01**

(52) **U.S. Cl.** ..... **D14/223**

(58) **Field of Classification Search** ..... D14/205,  
D14/206, 223; 181/129, 130, 135; 379/430,  
379/431; 381/380, 381, 383, 371; 455/90.3,  
455/575.2

See application file for complete search history.

(56) **References Cited**

**U.S. PATENT DOCUMENTS**

D550,215 S \* 9/2007 Udagawa et al. .... D14/223

D581,396 S \* 11/2008 Wikel et al. .... D14/206

|              |         |                         |         |
|--------------|---------|-------------------------|---------|
| D582,897 S * | 12/2008 | Christopher et al. .... | D14/223 |
| D596,166 S * | 7/2009  | Henning .....           | D14/223 |
| D603,378 S * | 11/2009 | Paradise .....          | D14/223 |
| D604,722 S * | 11/2009 | Mistry .....            | D14/223 |
| D616,873 S * | 6/2010  | Olivier .....           | D14/223 |
| D618,221 S * | 6/2010  | Fahrendorff et al. .... | D14/223 |
| D625,713 S * | 10/2010 | Yang .....              | D14/223 |
| D636,381 S * | 4/2011  | Liner .....             | D14/223 |
| D640,242 S * | 6/2011  | Fahrendorff et al. .... | D14/223 |
| D641,739 S * | 7/2011  | Huang .....             | D14/223 |
| D643,420 S * | 8/2011  | Huang .....             | D14/223 |

\* cited by examiner

*Primary Examiner* — Paula Greene

(74) *Attorney, Agent, or Firm* — Altera Law Group, LLC

(57) **CLAIM**

The ornamental design for a headset, as shown and described.

**DESCRIPTION**

FIG. 1 is a side view of the headset.

FIG. 2 is the other side view thereof.

FIG. 3 is a bottom view thereof.

FIG. 4 is the top side view thereof.

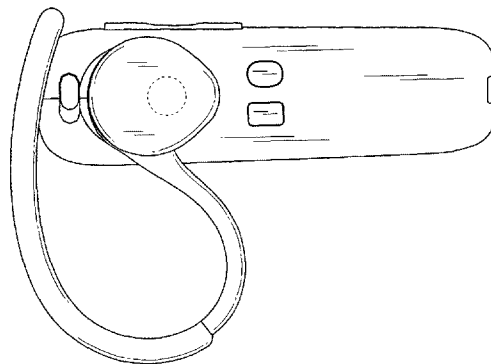
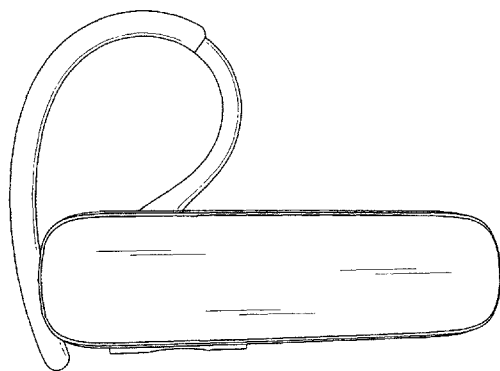
FIG. 5 is a side perspective view thereof.

FIG. 6 is an end view thereof; and,

FIG. 7 is another end view thereof.

The broken lines form no part of the claimed design.

**1 Claim, 4 Drawing Sheets**



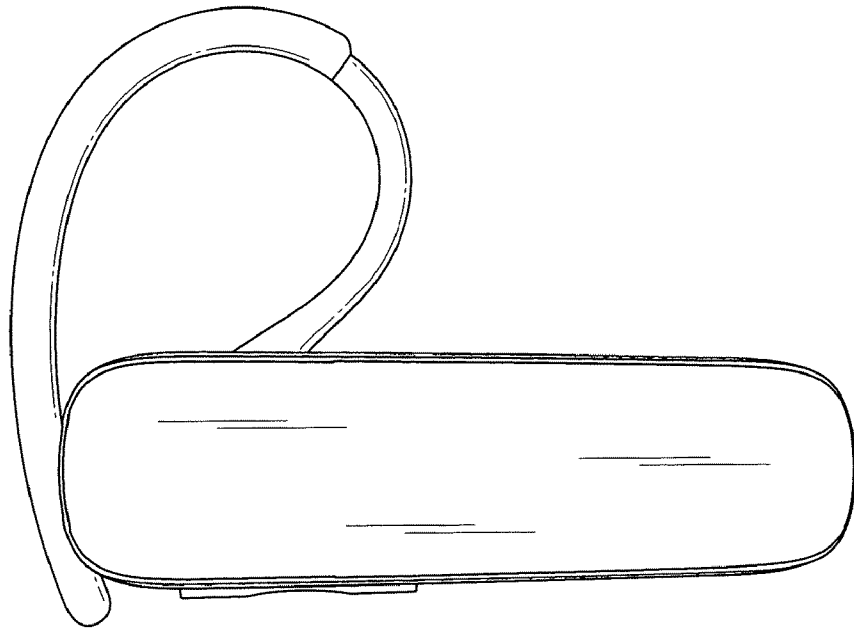


Fig. 1

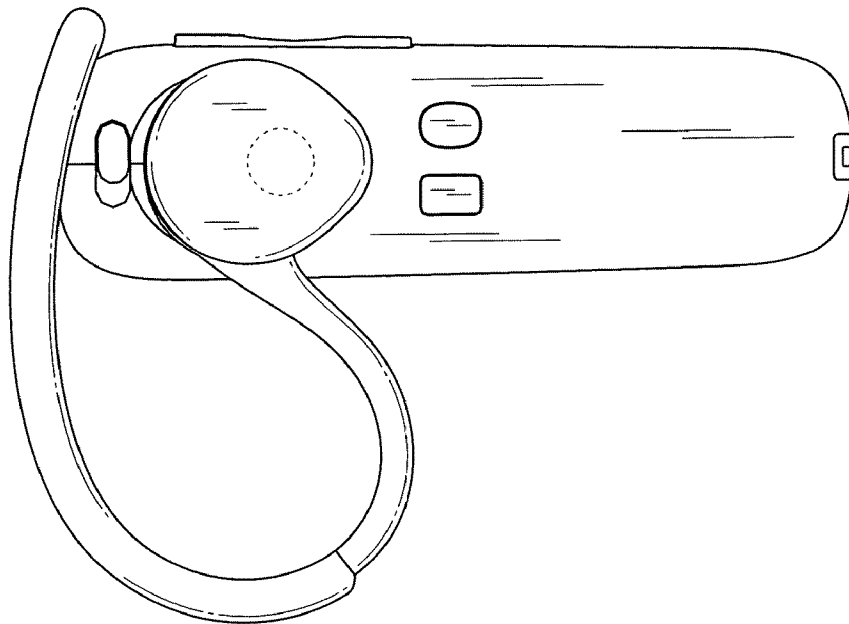


Fig. 2

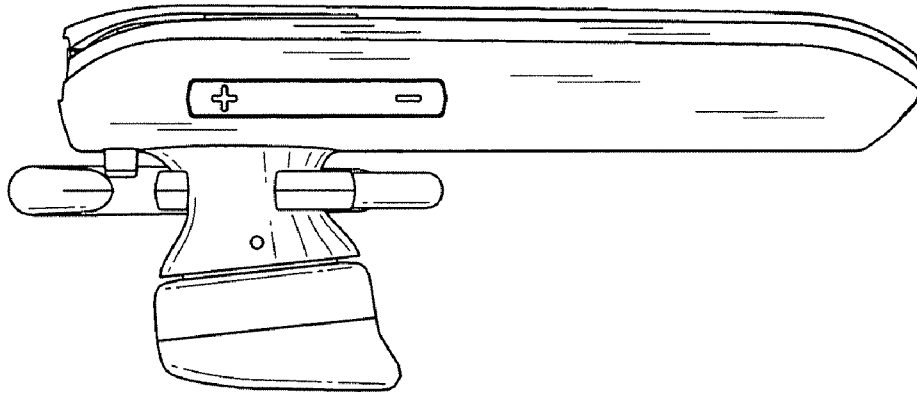


Fig. 3

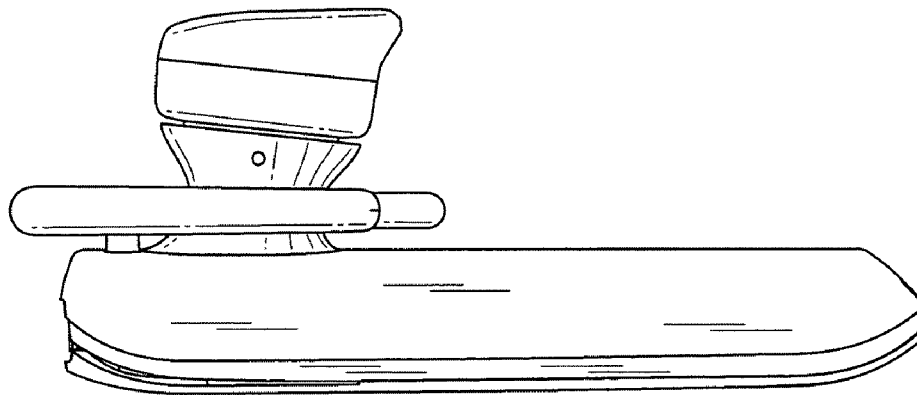


Fig. 4

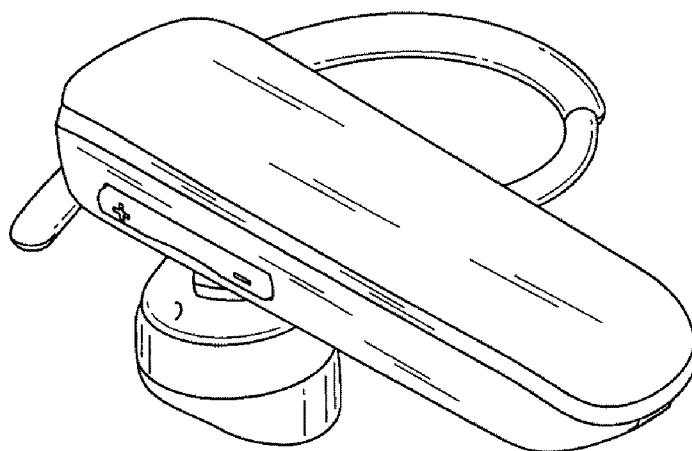


Fig. 5

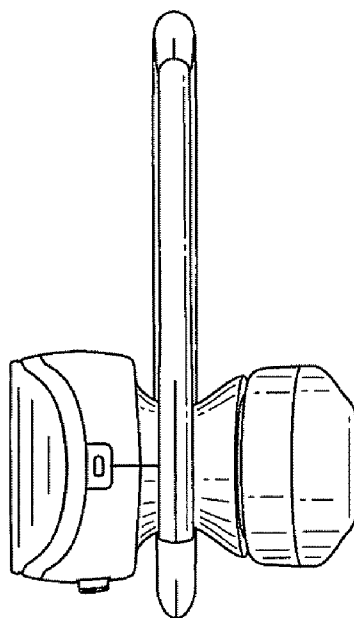
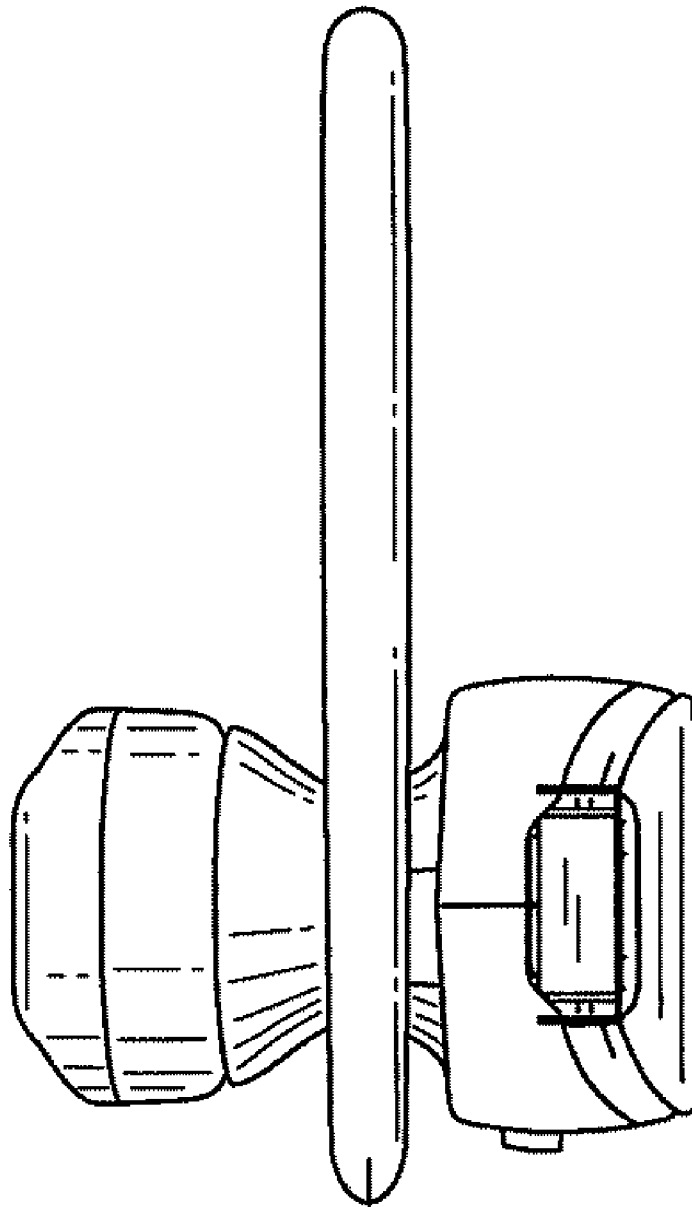


Fig. 6



**Fig. 7**