



(43) International Publication Date
27 March 2014 (27.03.2014)

- (51) International Patent Classification:
E21B 17/07 (2006.01) *E21B 33/12* (2006.01)
- (21) International Application Number:
PCT/US2013/057357
- (22) International Filing Date:
29 August 2013 (29.08.2013)
- (25) Filing Language: English
- (26) Publication Language: English
- (30) Priority Data:
61/704,983 24 September 2012 (24.09.2012) US
- (71) Applicant: NATIONAL OILWELL VARCO, L.P.
[US/US]; 7909 Parkwood Circle Drive, Houston, TX
77036 (US).
- (72) Inventors: SEYFFERT, Kenneth W.; 1019 Lamonte
Lane, Houston, TX 77018 (US). SONNIER, Voltaire O.;
14651 Philippine Street, Houston, TX 77040 (US).
NGUYEN, Hoang; 12918 Memorial Drive, Houston, TX
77079 (US).
- (74) Agent: SALAZAR, JL Jennie; The JL Salazar Law Firm,
PLLC, 1934 West Gray Street, Suite 401, Houston, TX
77019 (US).
- (81) Designated States (unless otherwise indicated, for every
kind of national protection available): AE, AG, AL, AM,
AO, AT, AU, AZ, BA, BB, BG, BH, BN, BR, BW, BY,

BZ, CA, CH, CL, CN, CO, CR, CU, CZ, DE, DK, DM,
DO, DZ, EC, EE, EG, ES, FI, GB, GD, GE, GH, GM, GT,
HN, HR, HU, ID, IL, IN, IS, JP, KE, KG, KN, KP, KR,
KZ, LA, LC, LK, LR, LS, LT, LU, LY, MA, MD, ME,
MG, MK, MN, MW, MX, MY, MZ, NA, NG, NI, NO, NZ,
OM, PA, PE, PG, PH, PL, PT, QA, RO, RS, RU, RW, SA,
SC, SD, SE, SG, SK, SL, SM, ST, SV, SY, TH, TJ, TM,
TN, TR, TT, TZ, UA, UG, US, UZ, VC, VN, ZA, ZM,
ZW.

- (84) Designated States (unless otherwise indicated, for every
kind of regional protection available): ARIPO (BW, GH,
GM, KE, LR, LS, MW, MZ, NA, RW, SD, SL, SZ, TZ,
UG, ZM, ZW), Eurasian (AM, AZ, BY, KG, KZ, RU, TJ,
TM), European (AL, AT, BE, BG, CH, CY, CZ, DE, DK,
EE, ES, FI, FR, GB, GR, HR, HU, IE, IS, IT, LT, LU, LV,
MC, MK, MT, NL, NO, PL, PT, RO, RS, SE, SI, SK, SM,
TR), OAPI (BF, BJ, CF, CG, CI, CM, GA, GN, GQ, GW,
KM, ML, MR, NE, SN, TD, TG).

Published:

- with international search report (Art. 21(3))
- before the expiration of the time limit for amending the
claims and to be republished in the event of receipt of
amendments (Rule 48.2(h))

- (88) Date of publication of the international search report:
19 March 2015

(54) Title: PACKER ASSEMBLY FOR AN OFFSHORE RISER AND METHOD OF USING SAME

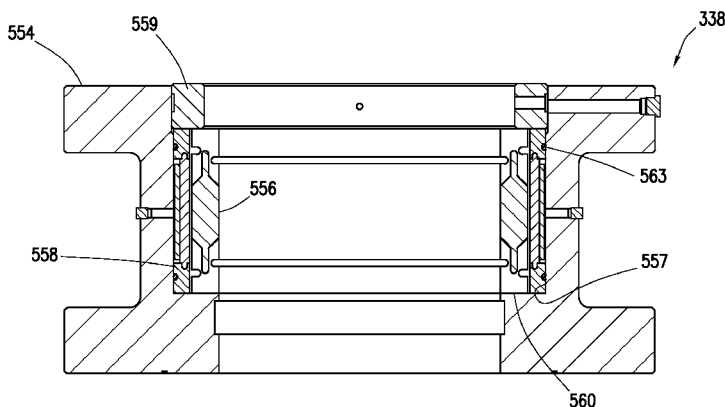


FIG. 6

(57) Abstract: A packer assembly for sealing about a subsea riser is provided. The subsea riser is operatively connectable between a surface platform and subsea equipment. The packer assembly includes a packer housing and at least one packer. The packer housing is positionable about a telescoping assembly. The telescoping assembly operatively connects the subsea riser to the surface platform. The packer(s) are positionable along an inner surface of the packer housing to form a seal with the telescoping assembly and include a plurality of packer segments. Each of the packer segments has male and female connectors on each end thereof matably connectable to the male and female connectors of another of the segments to form a seal connection therebetween. The seal connection defines a non-linear leak path whereby leakage of fluid between the plurality of segments is resisted.

INTERNATIONAL SEARCH REPORT

International application No
PCT/US2013/057357

A. CLASSIFICATION OF SUBJECT MATTER
INV. E21B17/07 E21B33/12
ADD.
According to International Patent Classification (IPC) or to both national classification and IPC

B. FIELDS SEARCHED
Minimum documentation searched (classification system followed by classification symbols)
E21B F16J F16L

Documentation searched other than minimum documentation to the extent that such documents are included in the fields searched

Electronic data base consulted during the international search (name of data base and, where practicable, search terms used)
EPO-Internal, WPI Data

C. DOCUMENTS CONSIDERED TO BE RELEVANT

Category*	Citation of document, with indication, where appropriate, of the relevant passages	Relevant to claim No.
X	DE 28 41 819 A1 (MANNESMANN AG) 3 April 1980 (1980-04-03) the whole document	1-5, 10-15, 17,19-29
X	US 2007/131413 A1 (MILLET FRANCOIS [FR] ET AL) 14 June 2007 (2007-06-14) figures 2,3,4A	1,6-9, 16,18

Further documents are listed in the continuation of Box C.

See patent family annex.

* Special categories of cited documents :

- "A" document defining the general state of the art which is not considered to be of particular relevance
- "E" earlier application or patent but published on or after the international filing date
- "L" document which may throw doubts on priority claim(s) or which is cited to establish the publication date of another citation or other special reason (as specified)
- "O" document referring to an oral disclosure, use, exhibition or other means
- "P" document published prior to the international filing date but later than the priority date claimed

- "T" later document published after the international filing date or priority date and not in conflict with the application but cited to understand the principle or theory underlying the invention
- "X" document of particular relevance; the claimed invention cannot be considered novel or cannot be considered to involve an inventive step when the document is taken alone
- "Y" document of particular relevance; the claimed invention cannot be considered to involve an inventive step when the document is combined with one or more other such documents, such combination being obvious to a person skilled in the art
- "&" document member of the same patent family

Date of the actual completion of the international search

22 January 2015

Date of mailing of the international search report

02/02/2015

Name and mailing address of the ISA/
European Patent Office, P.B. 5818 Patentlaan 2
NL - 2280 HV Rijswijk
Tel. (+31-70) 340-2040,
Fax: (+31-70) 340-3016

Authorized officer

Maukonen, Kalle

INTERNATIONAL SEARCH REPORT

Information on patent family members

International application No

PCT/US2013/057357

Patent document cited in search report	Publication date	Patent family member(s)	Publication date
DE 2841819	A1	03-04-1980	NONE

US 2007131413	A1	14-06-2007	AU 2006323918 A1 14-06-2007
		BR PI0620568 A2	16-11-2011
		CA 2632379 A1	14-06-2007
		CN 101336333 A	31-12-2008
		EP 1957749 A1	20-08-2008
		FR 2894317 A1	08-06-2007
		US 2007131413 A1	14-06-2007
		WO 2007066003 A1	14-06-2007
