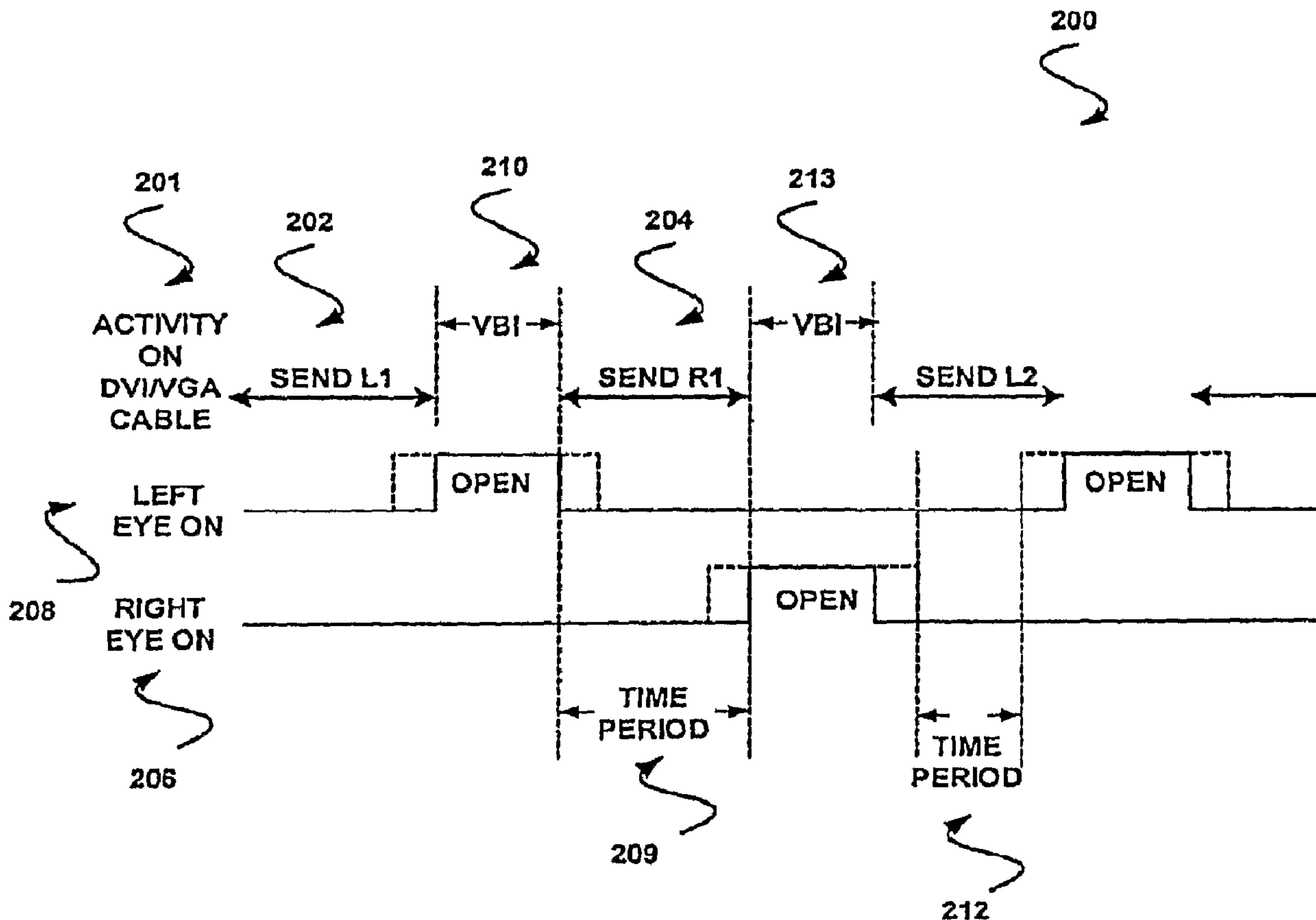




(86) Date de dépôt PCT/PCT Filing Date: 2007/03/29
 (87) Date publication PCT/PCT Publication Date: 2007/11/08
 (85) Entrée phase nationale/National Entry: 2008/09/17
 (86) N° demande PCT/PCT Application No.: US 2007/007702
 (87) N° publication PCT/PCT Publication No.: 2007/126904
 (30) Priorités/Priorities: 2006/03/29 (US60/787,730);
 2006/08/04 (US11/462,535); 2006/08/04 (US11/462,529)

(51) Cl.Int./Int.Cl. *G09G 5/00* (2006.01),
H04N 13/00 (2006.01)
 (71) Demandeur/Applicant:
 NVIDIA CORPORATION, US
 (72) Inventeurs/Inventors:
 SLAVENBURG, GERRIT A., US;
 FOX, THOMAS F., US;
 COOK, DAVID R., US
 (74) Agent: KIRBY EADES GALE BAKER

(54) Titre : SYSTEME, PROCEDE ET PRODUIT-PROGRAMME INFORMATIQUE POUR COMMANDER DES
 OBTURATEURS DE LUNETTES STEREO
 (54) Title: SYSTEM, METHOD, AND COMPUTER PROGRAM PRODUCT FOR CONTROLLING STEREO GLASSES
 SHUTTERS



(57) Abrégé/Abstract:

A system, method, and computer program product are provided for controlling stereo glasses shutters. In use, a right eye shutter of stereo glasses is controlled to switch between a closed orientation and an open orientation, by utilizing a right eye control signal

(57) **Abrégé(suite)/Abstract(continued):**

(206). Further, a left eye shutter of the stereo glasses is controlled to switch between the closed orientation and the open orientation, by utilizing a left eye control signal (208). To this end, the right eye shutter and the left eye shutter of the stereo glasses may be controlled such that the right eye shutter and the left eye shutter simultaneously remain in the closed orientation for a predetermined amount of time (209).

(12) INTERNATIONAL APPLICATION PUBLISHED UNDER THE PATENT COOPERATION TREATY (PCT)

(19) World Intellectual Property Organization
International Bureau(43) International Publication Date
8 November 2007 (08.11.2007)

PCT

(10) International Publication Number
WO 2007/126904 A3(51) International Patent Classification:
G09G 5/00 (2006.01) *H04N 13/00* (2006.01)(74) Agent: **ZILKA, Kevin J.**; Zilka-Kotab, PC, P.O. Box 721120, San Jose, CA 95172-1120 (US).(21) International Application Number:
PCT/US2007/007702(81) Designated States (*unless otherwise indicated, for every kind of national protection available*): AE, AG, AL, AM, AT, AU, AZ, BA, BB, BG, BH, BR, BW, BY, BZ, CA, CH, CN, CO, CR, CU, CZ, DE, DK, DM, DZ, EC, EE, EG, ES, FI, GB, GD, GE, GH, GM, GT, HN, HR, HU, ID, IL, IN, IS, JP, KE, KG, KM, KN, KP, KR, KZ, LA, LC, LK, LR, LS, LT, LU, LY, MA, MD, MG, MK, MN, MW, MX, MY, MZ, NA, NG, NI, NO, NZ, OM, PG, PH, PL, PT, RO, RS, RU, SC, SD, SE, SG, SK, SL, SM, SV, SY, TJ, TM, TN, TR, TT, TZ, UA, UG, US, UZ, VC, VN, ZA, ZM, ZW.

(22) International Filing Date: 29 March 2007 (29.03.2007)

(25) Filing Language: English

(26) Publication Language: English

(30) Priority Data:
60/787,730 29 March 2006 (29.03.2006) US
11/462,529 4 August 2006 (04.08.2006) US
11/462,535 4 August 2006 (04.08.2006) US(84) Designated States (*unless otherwise indicated, for every kind of regional protection available*): ARIPO (BW, GH, GM, KE, LS, MW, MZ, NA, SD, SL, SZ, TZ, UG, ZM, ZW), Eurasian (AM, AZ, BY, KG, KZ, MD, RU, TJ, TM), European (AT, BE, BG, CH, CY, CZ, DE, DK, EE, ES, FI, FR, GB, GR, HU, IE, IS, IT, LT, LU, LV, MC, MT, NL, PL, PT, RO, SE, SI, SK, TR), OAPI (BF, BJ, CF, CG, CI, CM, GA, GN, GQ, GW, ML, MR, NE, SN, TD, TG).(71) Applicant (*for all designated States except US*): **NVIDIA CORPORATION** [US/US]; 2701 San Tomas Expressway, Santa Clara, CA 95050 (US).

(72) Inventors; and

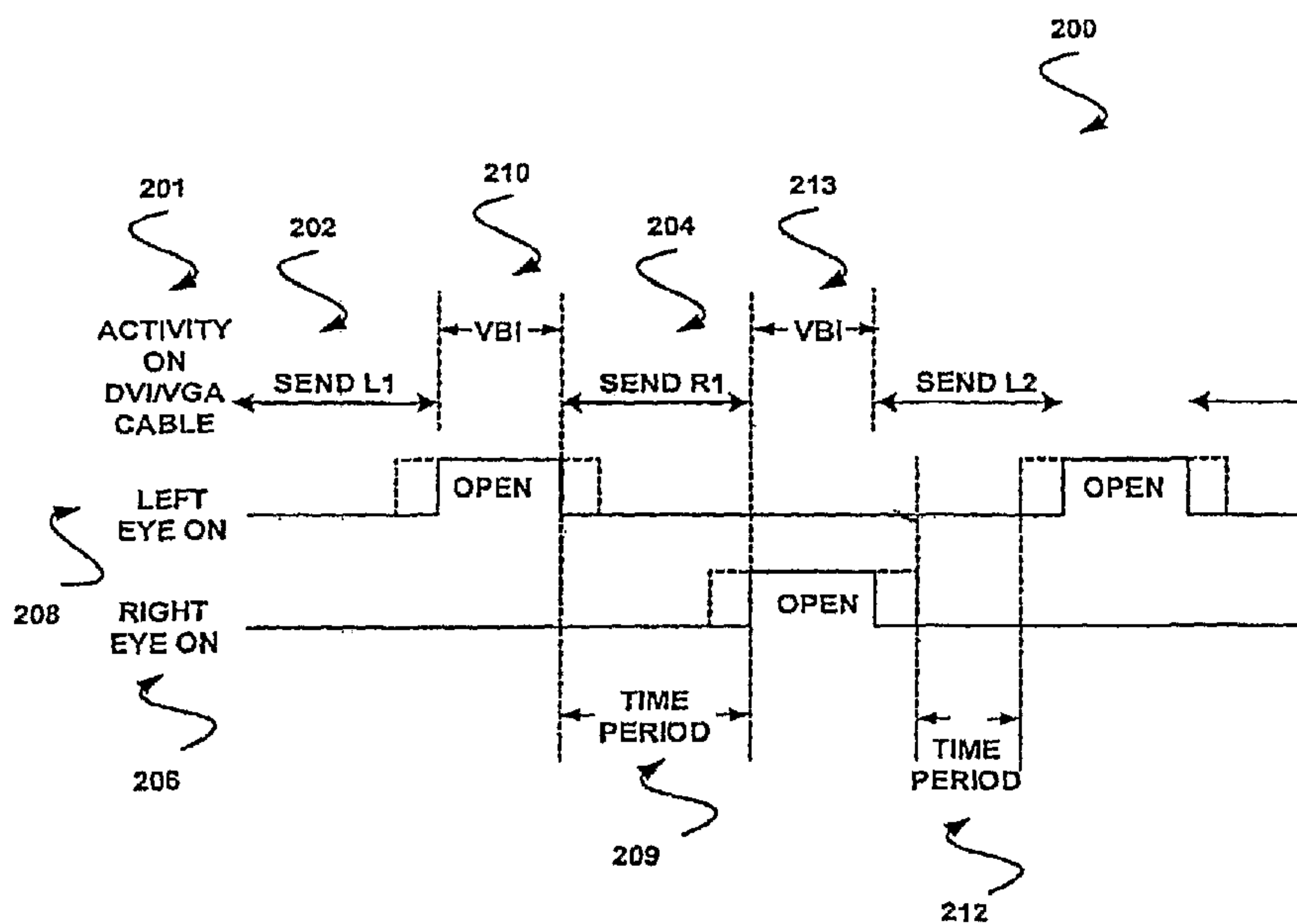
(75) Inventors/Applicants (*for US only*): **SLAVENBURG, Gerrit A.** [NL/US]; 304 Langton Avenue, Los Altos, CA 94022 (US). **FOX, Thomas F.** [US/US]; 159 Tennyson Avenue, Palo Alto, CA 94301 (US). **COOK, David R.** [US/US]; 906 Forest Ridge Drive, San Jose, CA 95129 (US).

Published:

— with international search report

(88) Date of publication of the international search report:
28 August 2008

(54) Title: SYSTEM, METHOD, AND COMPUTER PROGRAM PRODUCT FOR CONTROLLING STEREO GLASSES SHUTTERS



(57) Abstract: A system, method, and computer program product are provided for controlling stereo glasses shutters. In use, a right eye shutter of stereo glasses is controlled to switch between a closed orientation and an open orientation, by utilizing a right eye control signal (206). Further, a left eye shutter of the stereo glasses is controlled to switch between the closed orientation and the open orientation, by utilizing a left eye control signal (208). To this end, the right eye shutter and the left eye shutter of the stereo glasses may be controlled such that the right eye shutter and the left eye shutter simultaneously remain in the closed orientation for a predetermined amount of time (209).

WO 2007/126904 A3

SYSTEM, METHOD, AND COMPUTER PROGRAM PRODUCT FOR CONTROLLING STEREO GLASSES SHUTTERS

FIELD OF THE INVENTION

5 The present invention relates to video displays, and more particularly to viewing stereo video and graphics images utilizing stereo shutter glasses.

BACKGROUND

10 Various display devices are equipped for both mono and stereo viewing. Unlike mono viewing, stereo viewing involves the display of separate content for the right and left human eye. Specifically, such stereo viewing requires the presentation of a separate image to the left and right human eye. In one particular type of stereo viewing, namely time sequential stereo, such left and right images are presented in an alternating manner.

15 To ensure a proper stereo viewing experience, alternating shutter glasses are also typically used which make the left image visible to the left eye and the right image to the right eye at the appropriate time.

20 In the past, time sequential stereo viewing has worked well on CRTs and related displays [e.g. high frame rate (DLP) projectors, etc.]. However, time sequential stereo viewing has not shown promise with liquid crystal displays (LCDs), whether flat-panel or in the form of a projector, due to several issues. For example, a slow response time of pixels in LCD environments causes 'ghosting' of the left image in the right view, and

visa versa. Still yet, the nature of the LCD update process unfortunately results in only short periods of time when the right image and left image may be present in their entirety, as will now be described in more detail.

5 Figure 1A illustrates hypothetical shortcomings that would exist if stereo viewing were attempted utilizing an LCD. As shown in the present hypothetical example, the LCD would receive pixels in raster scan order (i.e. left to right, line by line from top to bottom, etc.) over a cable 10, such as a digital video interface (DVI) or video graphics array (VGA) cable. A first left image L1 intended for viewing by a left
10 eye is sent over the cable 10 first. Thereafter, there is a pause in transmission called the vertical blanking interval VBI. Next, a first right image R1 intended for the right eye is sent, and so forth.

 Unlike CRTs and other related displays, LCD pixels have individual capacitive
15 storage elements that cause each pixel to retain its color and intensity until it is updated by LCD driver-related electronics, which addresses pixels in raster order. Thus, at time T1, when part of the first right image R1 has been sent, the actual image emitted from the LCD screen includes the 'not yet overwritten' (e.g. red) part of first left image L1 at the bottom, and the newly written (e.g. green) part of the first right image R1. Further,
20 at T2, and, in fact, for the entire vertical blanking interval VBI starting at time T2, the display includes only the first right image R1. At time T3, the first right image R1 has been partially overwritten by a second left image L2, in the manner shown. To this end, if the display content at time T1 and T3 were shown to the left or right eye, such eye would unfortunately receive content, at least in part, not intended for such eye.

25

 As mentioned earlier, stereo glasses equipped with right and left eye shutters are often employed to ensure that the proper eye views the appropriate image, during stereo viewing. As shown, in the present hypothetical example, after the first left image L1 is

displayed, a left eye shutter control **20** switches the left shutter to an open orientation (during which a right shutter is maintained in a closed orientation). Similarly, after the first right image **RI** is displayed, a right eye shutter control **30** switches the right shutter to an open orientation (at which time the left shutter toggles to and is maintained in a closed orientation).

Again, each eye unfortunately, receives content, at least in part, not intended for such eye for a sizeable portion of the duration in which the associated shutter is in the open orientation, resulting in unacceptable stereo viewing. There is thus a need for overcoming these and/or other problems associated with the prior art.

SUMMARY

A system, method, and computer program product are provided for controlling
5 stereo glasses shutters. In use, a right eye shutter of stereo glasses is controlled to
switch between a closed orientation and an open orientation. Further, a left eye shutter
of the stereo glasses is controlled to also switch between the closed orientation and the
open orientation. In use, the right eye shutter and the left eye shutter of the stereo
glasses may be controlled such that the right eye shutter and the left eye shutter
10 simultaneously remain in the closed orientation for a predetermined amount of time.

BRIEF DESCRIPTION OF THE DRAWINGS

5 Figure 1A illustrates hypothetical shortcomings that would exist if stereo viewing were attempted utilizing a liquid crystal display (LCD).

Figure 1B illustrates an exemplary computer system in which the various architecture and/or functionality of various embodiments may be implemented.

10 Figure 2 shows an exemplary timing for enhancing a viewing experience when display content is viewed utilizing stereo glasses, in accordance with one embodiment.

15 Figure 3 shows a method for increasing a vertical blanking interval for enhancing a viewing experience when display content is viewed utilizing stereo glasses, in accordance with one embodiment.

20 Figure 4 shows a method for increasing a vertical blanking interval for enhancing a viewing experience when display content is viewed utilizing stereo glasses, in accordance with another embodiment.

Figure 5 shows an exemplary timing for use when display content is viewed utilizing stereo glasses and an LCD or the like, in accordance with yet another embodiment.

DETAILED DESCRIPTION

Figure 1 illustrates an exemplary computer system **100** in which the various
5 architecture and/or functionality of different embodiments may be implemented. As
shown, a computer system **100** is provided including at least one host processor **101**
which is connected to a communication bus **102**. The computer system **100** also
includes a main memory **104**. Control logic (software) and data are stored in the main
memory **104** which may take the form of random access memory (RAM).

10

The computer system **100** also includes a graphics processor **106** and a display
108 in the form of a liquid crystal display (LCD), digital light processing (DLP) display,
liquid crystal on silicon (LCOS) display, plasma display, or other similar display. In
one embodiment, the graphics processor **106** may include a plurality of shader modules,
15 a rasterization module, etc. Each of the foregoing modules may even be situated on a
single semiconductor platform to form a graphics processing unit (GPU).

In the present description, a single semiconductor platform may refer to a sole
unitary semiconductor-based integrated circuit or chip. It should be noted that the term
20 single semiconductor platform may also refer to multi-chip modules with increased
connectivity which simulate on-chip operation, and make substantial improvements
over utilizing a conventional central processing unit (CPU) and bus implementation. Of
course, the various modules may also be situated separately or in various combinations
of semiconductor platforms per the desires of the user.

25

The computer system **100** may also include a secondary storage **110**. The
secondary storage **110** includes, for example, a hard disk drive and/or a removable
storage drive, representing a floppy disk drive, a magnetic tape drive, a compact disk

drive, etc. The removable storage drive reads from and/or writes to a removable storage unit in a well known manner.

5 Computer programs, or computer control logic algorithms, may be stored in the main memory **104** and/or the secondary storage **110**. Such computer programs, when executed, enable the computer system **100** to perform various functions. Memory **104**, storage **110** and/or any other storage are possible examples of computer-readable media.

10 Further included is a pair of stereo glasses **111** capable of being worn on a face of a user. While the stereo glasses **111** are shown to include two elongated members for supporting the same on the face of the user, it should be noted that other constructions (e.g. member-less design, head strap, helmet, etc.) may be used to provide similar or any other type of support. As further shown, the stereo glasses **111** also include a right eye
15 shutter **114** and a left eye shutter **113**.

Both the right eye shutter **114** and left eye shutter **113** are capable of both an open orientation and a closed orientation. In use, the open orientation allows more light therethrough with respect to the closed orientation. Of course, such orientations may be
20 achieved by any desired mechanical, electrical, optical, and/or any other mechanism capable of carrying out the above functionality.

For control purposes, the stereo glasses **111** may be coupled to a stereo controller **119** via a cable **118** (or without the cable **118** in a wireless environment). The
25 stereo controller **119** is, in turn, coupled between the graphics processor **106** and the display **108** for carrying out the functionality to be set forth hereinafter. While the stereo controller **119** is shown to reside between the graphics processor **106** and the display **108**, it should be noted that the stereo controller **119** may reside in any location

associated with the computer system **100**, the stereo glasses **111**, and/or even in a separate module, particularly (but not necessarily) in an embodiment where the graphics processor **106** is attached to a separate interface [e.g. universal serial bus (USB), etc.] on the computer system **100**. In one embodiment, the display **108** may be directly
5 connected to the computer system **100**, and the stereo controller **119** may further be directly connected to the computer system **100** via a USB interface. Still yet, the stereo controller **119** may comprise any hardware and/or software capable of the providing the desired functionality.

10 Specifically, in some embodiments, the right eye shutter **114** and left eye shutter **113** are controlled to switch between the closed orientation and the open orientation. For reasons that will be apparent hereinafter, the right eye shutter **114** and left eye shutter **113** of the stereo glasses **111** may be controlled such that the right eye shutter **114** and left eye shutter **113** simultaneously remain in the closed orientation for a
15 predetermined amount of time. In particular, as will soon become apparent, such technique reduces a duration in which each eye receives content, at least in part, not intended for such eye, resulting in enhanced stereo viewing of content on the display **108**.

20 In addition to and/or instead of the foregoing technique, the stereo controller **119**, the display **108**, and/or any other appropriate hardware/software associated with the computer system **100** may be equipped with functionality for adapting the display **108** in a way that enhances a viewing experience when display content is viewed utilizing the stereo glasses **111**. Specifically, a duration of a vertical blanking interval associated
25 with received display content may be increased for enhancing a viewing experience when the display content is viewed utilizing the stereo glasses **111**.

In the context of the present description, the vertical blanking interval may refer to any time duration between the display of content intended for viewing by a right eye and a left eye. In one optional embodiment, such vertical blanking interval may refer to a time duration in which blank lines (and/or other information) are sent across an interface to the display **108**. Still yet, in another embodiment, the vertical blanking interval may refer to a time when the content is held on the display **108** and no update occurs. By enlarging the vertical blanking interval (e.g. by sending more blank lines across the aforementioned interface, etc.), the content may be displayed longer for allowing the stereo glasses **111** to remain open longer, thus increasing the apparent brightness to the user, in accordance with one optional embodiment.

More illustrative information will now be set forth regarding various optional architectures and features with which the foregoing functionality may or may not be implemented, per the desires of the user. It should be strongly noted that the following information is set forth for illustrative purposes and should not be construed as limiting in any manner. Any of the following features may be optionally incorporated with or without the exclusion of other features described.

For example, in one embodiment, the architecture and/or functionality of the various following figures may be implemented in the context of the host processor **101**, graphics processor **106**, a chipset (i.e. a group of integrated circuits designed to work and sold as a unit for performing related functions, etc.), and/or any other integrated circuit for that matter. Still yet, the architecture and/or functionality of the various following figures may be implemented in the context of a general computer system, a circuit board system, a game console system dedicated for entertainment purposes, an application-specific system, and/or any other desired system.

Figure 2 shows an exemplary timing 200 for enhancing a viewing experience when display content is viewed utilizing stereo glasses, in accordance with one embodiment. As an option, the present timing 200 may be implemented in the context of the computer system 100 of Figure 1B. Of course, however, the timing 200 may be used in any desired environment. Still yet, the above definitions apply during the following description.

As shown, a display (e.g. display 108 of Figure 1, etc.) receives display content over a communication medium 201, such as a digital video interface (DVI) or video graphics array (VGA) cable, or any other medium capable of communicating the display content, for that matter. In the context of the present description, such display content may include pixel-related information, image(s), and/or any other content or component thereof at any stage of processing capable of being displayed. In Figure 2, a first left image L1 intended for viewing only by a left eye is shown to be sent over the communication medium 201 first. Thereafter, there is a pause in transmission, namely the vertical blanking interval VBI. Next, a first right image R1 intended for only the right eye is then sent, and so forth.

As further shown, a right eye shutter and left eye shutter of stereo glasses (e.g. stereo glasses 111, etc.) are controlled independently. In one embodiment, this may be accomplished utilizing a right eye control signal 206 for controlling the right eye shutter and a left control signal 208 for controlling the left eye shutter.

Specifically, the left eye shutter of the stereo glasses may be controlled such that the left eye shutter is in an open orientation at least for the duration of a first set of vertical blanking intervals 210, which follow receipt of display content intended for a left eye. In a similar manner, the right eye shutter of the stereo glasses may be controlled such that the right eye shutter is in the open orientation at least for the duration of a second set of vertical blanking intervals 213, which follow receipt of

display content intended for a right eye. As shown, the first set of vertical blanking intervals **210** alternate with the second set of vertical blanking intervals **213**, and they both occur between periods during which right eye content or left eye content is received from a content source.

5

In other embodiments (e.g. particularly in the case of wireless stereo glasses, etc.), the right eye shutter and the left eye shutter of the stereo glasses may be controlled utilizing a plurality of signals (e.g. codes, etc.). In such embodiments, one of such signals may be specifically allocated to cause the right eye shutter and the left eye shutter to simultaneously transition to and remain in the closed orientation. Of course, separate signals may be used to close only the right eye shutter, the left eye shutter, etc.

10

To this end, a right eye shutter and left eye shutter of the stereo glasses may be controlled such that the right eye shutter and left eye shutter simultaneously remain in the closed orientation for a predetermined amount of time **209**. As shown, such predetermined amount of time **209** represents a time during which the first left image **L1** has been partially overwritten by the first right image **R1**. Thus, by ensuring that both the right eye shutter and left eye shutter of the stereo glasses simultaneously remain in the closed orientation during such time, the right eye content is prevented from reaching the left eye and the left eye content is prevented from reaching the right eye.

15

20

In the embodiment illustrated in Figure 2, the left eye shutter of the stereo glasses may be controlled such that the left eye shutter is in the open orientation only for the duration of the first set of vertical blanking intervals **210** (i.e. when only left eye content is being displayed, etc.). Further, the right eye shutter of the stereo glasses may be controlled such that the right eye shutter is in the open orientation only for the duration of the second set of vertical blanking intervals **213** (i.e. when only right eye content is being displayed, etc.). Thus, such predetermined amount of time **209**

25

represents an entire time frame in which the first left image **L1** has been partially overwritten by the first right image **R1**, and so on.

In other embodiments, however, the right eye shutter and the left eye shutter of
5 the stereo glasses may be controlled such that the shutters each remain in the open orientation for an adjustable time period (with the predetermined amount of time **209** being decreased) to permit additional light through each respective shutter. See time period **210**, for example. To this end, the eyes of the user may be subjected to more light, thereby enhancing a perceived brightness of an image.

10 In other words, the left eye shutter of the stereo glasses may be controlled such that the left eye shutter is in the open orientation for a period that exceeds the duration of the first set of vertical blanking intervals **210**. Similarly, the right eye shutter of the stereo glasses may be controlled such that the right eye shutter is in the open orientation
15 for a period that exceeds the duration of the second set of vertical blanking intervals **213**. Of course, one trade off associated with such option involves increasing the duration in which each eye receives content, at least in part, not intended for such eye. Specifically, at least a portion of left eye content may be displayed when the right eye shutter is in the open orientation, and visa-versa.

20 As set forth during reference to Figure **1B**, the duration of the vertical blanking interval **VBI** associated with received display content may be increased for enhancing a viewing experience when the display content is viewed utilizing the stereo glasses. By increasing the duration of the vertical blanking interval **VBI**, the time period is
25 increased during which each eye receives content wholly intended for such eye, resulting in enhanced stereo viewing of content on the display.

It should be noted that the vertical blanking interval **VBI** may be increased in any desired manner. For example, before a content source sends data to the display, appropriate display timing specifications may be consulted. This may be accomplished using any desired interface [e.g. extended display data channel/extended display
5 identification data (E-DDC/EDID), video electronics standards organization (VESA) interface, etc.] using the communication medium **201**. To this end, the content source may choose one of many established/standard timings and/or tailored timings to send the content, where such timing allows for vertical blanking interval **VBI** augmentation. Such timings may further be provided/maintained by the manufacturer of the stereo
10 glasses, graphics processor that drives the images using configuration files, etc. More information regarding various exemplary techniques that may be specifically used to increase the duration of the vertical blanking interval **VBI** in such manner will be set forth in greater detail during reference to subsequent figures.

15 Figure **3** shows a method **300** for increasing a vertical blanking interval for enhancing a viewing experience when display content is viewed utilizing stereo glasses, in accordance with one embodiment. As an option, the present method **300** may be carried out in the context of the computer system **100** of Figure **1B** and/or the timing **200** of Figure **2**. Of course, however, the method **300** may be implemented in any desired environment.
20 Again, the definitions introduced hereinabove apply during the following description.

As shown, a display (e.g. display **108** of Figure **1**, etc.) is driven at a native resolution. See operation **303**. Such native resolution may refer to the resolution at which the display is designed to display content without conversion. The native
25 resolution is typically based on an actual number of cells in the display.

Next, a rate at which pixels are sent to the display is increased, utilizing a pixel clock. Specifically, in one embodiment, pixels may be transmitted for display purposes

using a highest possible pixel clock. See operation 304. In one exemplary embodiment, such maximum pixel clock may include that which a standard governing a connection cable supports (e.g. 165 Mpix/s for a single link DVI cable, 330 Mpix/s for a dual link DVI cable, etc.). In another embodiment, the foregoing highest possible pixel clock
5 may include a pixel clock limit indicated by the display in related EDID information. Such limit may be the same as, or lower than a DVI cable clock limit.

Still yet, a horizontal blanking interval associated with the display is decreased, as indicated in operation 306. In the context of the present description, the horizontal
10 blanking interval refers to an interval during which processing of successive lines returns from right to left. In one embodiment, the horizontal blanking interval may be chosen to be as small as possible. By maximizing the pixel clock and minimizing the horizontal blanking interval in the foregoing manner, the vertical blanking interval duration may be maximized. The manner in which this is accomplished will become
15 more readily apparent during the description of an example to be set forth later.

An alternate technique for increasing the vertical blanking interval (besides increasing the pixel clock, etc.) may involve the reduction of a display refresh rate. For example, a display designed for a 100 Hz refresh rate with a low vertical blanking
20 interval may be used at 85 Hz with a 19% vertical blanking interval, in one illustrative embodiment.

In various embodiments, the display may be specifically equipped with a plurality of additional timings for increasing the duration of the vertical blanking
25 interval. While the display may be equipped with the additional timings in any one of a variety of ways, it may be accomplished, in one embodiment, by including the same in software stored in memory of the display. In use, such additional timings may each be

adapted for either decreasing a horizontal blanking interval associated with the display and/or increasing a rate at which pixels are sent to the display.

5 Table 1 illustrates one exemplary timing that may be added in the foregoing manner. Of course, such timing is set forth for illustrative purposes only and should not be construed as limiting in any manner. For example, in a VGA environment, such a table may be updated in association with a display while, in a DVI environment, no such change may be necessary.

10

Table 1

Timing Name	1280x1024 75S	
Computed:		
Hor Pixels	1280	
Ver Pixels	1024	
Hor Frequency	105.00	kHz
Ver Frequency	75.00	Hz
Pixel Clock	139.44	MHz
HBlank	3.6%	of Htotal
VBlank	26.9%	of Vtotal
Hor Total Time	1328	Pixels
Hor Addr Time	1280	Pixels
Hor Blank Start	1280	Pixels
Hor Blank Time	48	Pixels
Hor Sync Time	16	Pixels
Hor Sync Start	1288	Pixels
H Right Border	0	Pixels
H Front Porch	8	Pixels
Hor Sync Time	16	Pixels
H Back Porch	24	Pixels
H Left Border	0	Pixels
Ver Total Time	1400	Lines
Ver Addr Time	1024	Lines
Ver Blank Start	1024	Lines
Ver Blank Time	376	Lines
Ver Sync Start	1040	Lines
V Bottom Borde	0	Lines
V Front Porch	16	Lines
Ver Sync Time	112	Lines
V Back Porch	248	Lines
V Top Border	0	Lines

It should be noted that the aforementioned horizontal blanking interval is less important in the context of LCD, DLP-type displays, etc., thereby providing an opportunity for sacrificing the same to extend the vertical blanking interval. In particular, in CRT-type displays, such horizontal blanking is typically augmented (e.g. in the range of 15-25%, etc.) to allow re-tracing to a beginning of a particular scan line. For example, a CRT-type display may display a first line of X number of pixels after which a horizontal blanking interval may be used to provide time for the display to re-trace to the beginning of the scan line so that another line of X number of pixels may be displayed, and so forth.

10

Equation #1 illustrates the interrelationship between the horizontal blanking interval and the vertical blanking interval.

Equation #1

15

$$f_{\text{pix}} = (\text{pixels_X-direction} + \text{HBI}) * (\text{pixels_Y-direction} + \text{VBI}) * f_v$$

where

20

f_{pix} = pixel rate

HBI = # of pixels in horizontal blanking interval

pixels_X-direction = # of pixels in X-direction for predetermined resolution

VBI = # of pixels associated in vertical blanking interval

pixels_Y-direction = # of pixels in Y-direction for predetermined resolution

25

f_v = refresh rate

As shown, a horizontal blanking interval may be sacrificed for an extended vertical blanking interval (particularly with LCD, DLP-type displays, etc.), without necessarily affecting the pixel rate and the refresh rate.

5 Thus, in one embodiment, the foregoing timing of Table 1 may provide an alternate 1280x1024 75Hz stereo compatible timing specification that may co-exist with existing VESA 1280x1024 75Hz timing specifications. In such exemplary embodiment, the existing 1280x1024 75Hz VESA timing employs 24.2% of available time for horizontal blanking and 3.9% for vertical blanking, whereas the stereo compatible
10 timing employs close to 27% of available time for vertical blanking and less than 4% for horizontal blanking.

Figure 4 shows a method 400 for increasing a vertical blanking interval for enhancing a viewing experience when display content is viewed utilizing stereo glasses, in
15 accordance with another embodiment. As an option, the present method 400 may be carried out in the context of the computer system 100 of Figure 1B and/or the timing 200 of Figure 2. Of course, however, the method 400 may be implemented in any desired environment. Yet again, the definitions introduced hereinabove apply during the following description.

20 As shown, a display (e.g. display 108 of Figure 1, etc.) may be set at a lower resolution during use. See operation 402. Still yet, the display may be run at a predetermined speed for extending the vertical blanking interval. Note operation 404. An example of such technique is set forth below.

25 Specifically, in one optional embodiment, a display may be provided that is designed for a 1600x1200 resolution, but is used at a lower resolution such as 1024x768. If such display supports the 1600x1200 resolution at 60 Hz (in accordance with the VESA standard), it is likely capable of 162 Mpix/s (in any resolution). Thus,

by sending the display 1024*768 pixels with a 162 MHz pixel clock, an entire image (assuming 100 pixel horizontal blanking) may be sent in 5.33 ms ($1144*768*6.173e-9$). Since images at 60 Hz are received every 16.66 msec, the vertical blanking interval may thus be extended to 11.33 msec ($16.66 - 5.33$). To this end, each shutter of a pair of
5 stereo glasses (e.g. stereo glasses 111 of Figure 1, etc.) may remain in an open orientation for 11.33 msec out of every 33.33 msec, thereby providing a duty cycle of 34% (out of a theoretical maximum of 50%).

In one embodiment, the foregoing functionality of Figures 3-4 may optionally be
10 provided by utilizing a controller (e.g. stereo controller 119 of Figure 1, etc.) coupled to the display. In the context of the present embodiment, such controller may be employed for tapping signals in a cable feeding the display to retrieve triggering information for the glasses (e.g. stereo glasses 111 of Figure 1, etc.). Such triggering information may be derived from a vertical synchronization in the cable, along with left/right eye shutter
15 identifying information associated with the content (e.g. white line codes, etc.) or software-provided control signals (e.g. DDC signal, etc.).

In another embodiment, the method 300 of Figure 3 and the method 400 of
20 Figure 4 may be provided by interrupting two I2C® interface wires that typically carry EDID standard information. In an embodiment where the controller takes the form of a microcontroller, such hardware may read original display EDID information and present modified EDID information to the associated computer system. In such embodiment, drivers that use the EDID information to compute timing settings need not necessarily be modified.

25

Figure 5 shows an exemplary timing 500 for use when display content is viewed utilizing stereo glasses and an LCD or the like, in accordance with yet another embodiment. As an option, the present timing 500 may be implemented in the context

of the computer system **100** of Figure **1B** and/or the timing **200** of Figure **2**. Of course, however, the timing **500** may be used in any desired environment.

In the present embodiment, display content sent to a display (e.g. display **108** of Figure **1**, etc.) in operation **502** may, in turn, be received and buffered in the manner shown in operation **504**. As an option, such buffering may be carried out utilizing buffer memory (e.g. DRAM, etc.) resident in the display or in any other location, for that matter.

Once the display content for a particular eye is received and buffered in operation **504**, it may be sent from the buffer to the display, as further indicated in operation **504**. To this end, the display may paint the particular display content currently being sent from the buffer. Note operation **506**. Note that, after the display content for a particular eye has been sent and painted, such display content may be held in the manner shown.

By this design, the left and right eye shutter of a pair of stereo glasses (e.g. stereo glasses **111** of Figure **1**, etc.) may be opened during the time period when the corresponding display content is being held. Note operations **508** and **510**, respectively. By buffering the display content in operation **504** in the foregoing manner, any lengthy time necessary for the display content to cross the cable to the buffer is available, thus keeping the pixel clock low. Further, when the display content is buffered and ready for display, the display content may be transferred rapidly to the display, so that it may be held and displayed to a respective eye for a longer time. Thus, a stable time of the display content may be increased by buffering the display content in the foregoing manner, while avoiding a need to increase the vertical blanking interval on a display interface cable, etc.

In summary, display content received from a content source may be buffered for a predetermined eye until a full image of display content for such eye is available. While such buffering is taking place, previous display content for the other eye may be displayed. When such buffering is complete and the image is stable, the full image of display content for such eye may be transferred from the buffer to the display for the duration of the vertical blanking interval or longer. Further, such transfer may be carried out at a maximum pixel rate that the display is capable of handling internally so that the vertical blanking interval is capable of being maximized. If such interval is too short, additional buffering that can temporarily receive and store the next incoming image may be employed. To this end, a duration in which the eye shutters may be maintained in the open orientation may be extended (and hence maximize screen brightness, etc.).

Strictly as an option, a backlight of the display may be activated only when at least one of the shutters is in the open orientation. This feature may be applied in the context of flashing or scrolling backlights. In the case of a flashing backlight, the backlight may be flashed for 30% of the time (for example), but may also use a light with triple the magnitude, in order to provide normal light output. To this end, the present feature may be used to avoid wasting light (and associated power) when the shutters are closed, and further avoid excessive heat.

While various embodiments have been described above, it should be understood that they have been presented by way of example only, and not limitation. For example, any of the network elements may employ any of the desired functionality set forth hereinabove. Thus, the breadth and scope of a preferred embodiment should not be limited by any of the above-described exemplary embodiments, but should be defined only in accordance with the following claims and their equivalents.

CLAIMS

What is claimed is:

1. A method, comprising:
controlling a right eye shutter of stereo glasses to switch between a closed orientation and an open orientation; and
controlling a left eye shutter of the stereo glasses to switch between the closed orientation and the open orientation;
wherein the right eye shutter and the left eye shutter of the stereo glasses are controlled such that the right eye shutter and the left eye shutter simultaneously remain in the closed orientation for a predetermined amount of time.
2. The method as recited in claim 1, wherein the right eye shutter and the left eye shutter of the stereo glasses are controlled independently.
3. The method as recited in claim 2, wherein the right eye shutter and the left eye shutter of the stereo glasses are controlled independently utilizing a first control signal for controlling the right eye shutter and a second control signal for controlling the left eye shutter.
4. The method as recited in claim 1, wherein the right eye shutter and the left eye shutter of the stereo glasses are controlled utilizing a plurality of signals, one of which causes the right eye shutter and the left eye shutter to simultaneously transition to and remain in the closed orientation.

5. The method as recited in claim 1, wherein the right eye shutter and the left eye shutter of the stereo glasses are controlled to permit stereo viewing of content on a display.
6. The method as recited in claim 5, wherein the display includes a liquid crystal display.
7. The method as recited in claim 1, wherein the right eye shutter of the stereo glasses is controlled such that the right eye shutter is in the open orientation at least for the duration of a first set of vertical blanking intervals, and the left eye shutter of the stereo glasses is controlled such that the left eye shutter is in the open orientation at least for the duration of a second set of vertical blanking intervals.
8. The method as recited in claim 7, wherein the right eye shutter of the stereo glasses is controlled such that the right eye shutter is in the open orientation for a period that exceeds the duration of the first set of vertical blanking intervals, and the left eye shutter of the stereo glasses is controlled such that the left eye shutter is in the open orientation for a period that exceeds the duration of the second set of vertical blanking intervals.
9. The method as recited in claim 7, wherein the right eye shutter of the stereo glasses is controlled such that the right eye shutter is in the open orientation only for the duration of the first set of vertical blanking intervals, and the left eye shutter of the stereo glasses is controlled such that the left eye shutter is in the open orientation only for the duration of the second set of vertical blanking intervals.
10. The method as recited in claim 7, wherein the first set of vertical blanking intervals alternate with the second set of vertical blanking intervals.

11. The method as recited in claim 7, wherein the first set of vertical blanking intervals and the second set of vertical blanking intervals occur between periods during which right eye content or left eye content is received from a content source.
12. The method as recited in claim 1, wherein a duration of the first set of vertical blanking intervals and the second set of vertical blanking intervals is increased.
13. The method as recited in claim 1, wherein the right eye shutter of the stereo glasses is controlled such that the right eye shutter is in the open orientation when only right eye content is being displayed, and the left eye shutter of the stereo glasses is controlled such that the left eye shutter is in the open orientation when only left eye content is being displayed.
14. The method as recited in claim 1, wherein the right eye shutter and the left eye shutter of the stereo glasses are controlled such that the right eye shutter and the left eye shutter each remain in the open orientation for an adjustable time period.
15. The method as recited in claim 14, wherein the adjustable time period is adjusted to permit additional light through the right eye shutter and the left eye shutter.
16. The method as recited in claim 1, wherein the controlling is performed utilizing a controller connected to a computer system via a universal serial bus interface.
17. The method as recited in claim 1, wherein a backlight of the display is activated only when one of the shutters is in the open orientation

18. A computer program product embodied on a computer readable medium, comprising:
computer code for controlling a right eye shutter of stereo glasses to switch between a closed orientation and an open orientation; and
computer code for controlling a left eye shutter of the stereo glasses to switch between the closed orientation and the open orientation;
wherein the right eye shutter and the left eye shutter of the stereo glasses are controlled such that the right eye shutter and the left eye shutter simultaneously remain in the closed orientation for a predetermined amount of time.
19. A system, comprising
a graphics processor; and
a controller in communication with the graphics processor, the controller for controlling a right eye shutter and a left eye shutter of stereo glasses to switch between a closed orientation and an open orientation;
wherein the right eye shutter and the left eye shutter of the stereo glasses are controlled such that the right eye shutter and the left eye shutter simultaneously remain in the closed orientation for a predetermined amount of time.
20. The system as recited in claim 19, wherein the graphics processor is in communication with a display and a central processing unit via a bus.
21. A method, comprising:
receiving display content for being outputted utilizing a display; and
increasing a duration of a vertical blanking interval associated with the display content for enhancing a viewing experience when the display content is viewed utilizing stereo glasses.

22. The method as recited in claim 21, wherein the duration of the vertical blanking interval is increased by decreasing a horizontal blanking interval associated with the display.
23. The method as recited in claim 21, wherein the duration of the vertical blanking interval is increased by increasing a rate at which pixels are sent to the display.
24. The method as recited in claim 21, wherein the duration of the vertical blanking interval is increased by reducing a refresh rate of the display.
25. The method as recited in claim 21, wherein the display is driven at a native resolution.
26. The method as recited in claim 21, wherein the display is equipped with a plurality of additional timings for increasing the duration of the vertical blanking interval.
27. The method as recited in claim 26, wherein the additional timings are each adapted for decreasing a horizontal blanking interval associated with the display.
28. The method as recited in claim 26, wherein the additional timings are each adapted for increasing a rate at which pixels are sent to the display.
29. The method as recited in claim 26, wherein the additional timings are each adapted for reducing a refresh rate of the display.

30. The method as recited in claim 26, wherein the display is equipped with a plurality of additional timings by including the additional timings in software stored in memory of the display.
31. The method as recited in claim 21, wherein the duration of the vertical blanking interval is increased by decreasing a resolution associated with the display.
32. The method as recited in claim 31, wherein a stable time of the display content is increased by buffering the display content, while avoiding a need to increase the vertical blanking interval on a display interface cable.
33. The method as recited in claim 32, wherein the display content associated with a predetermined eye is buffered until a full image of display content for the predetermined eye is buffered, after which the full image of display content for the predetermined eye is then transmitted to the display at a maximum pixel rate that the display is capable of handling internally so that the vertical blanking interval is capable of being maximized.
34. The method as recited in claim 32, wherein dynamic random access memory is utilized for the buffering.
35. The method as recited in claim 32, wherein the display content for the predetermined eye is buffered while previous display content for another predetermined eye is displayed.
36. The method as recited in claim 21, wherein the display includes a liquid crystal display, and a backlight of the liquid crystal display is activated during the vertical blanking interval.

37. The method as recited in claim 21, wherein the duration of the vertical blanking interval is increased utilizing a control component in communication with a graphics processor and the stereo glasses.
38. A computer program product embodied on a computer readable medium, comprising:
computer code for receiving display content for being outputted utilizing a display; and
computer code for increasing a duration of a vertical blanking interval associated with the display content for enhancing a viewing experience when the display content is viewed utilizing stereo glasses.
39. A system, comprising
a display;
a graphics processor; and
a control component in communication with at least one of the graphics processor and the display, the control component for increasing a duration of a vertical blanking interval associated with display content for enhancing a viewing experience when the display content is viewed utilizing stereo glasses.
40. The system as recited in claim 39, wherein the graphics processor is in communication with a central processing unit via a bus.

1/6

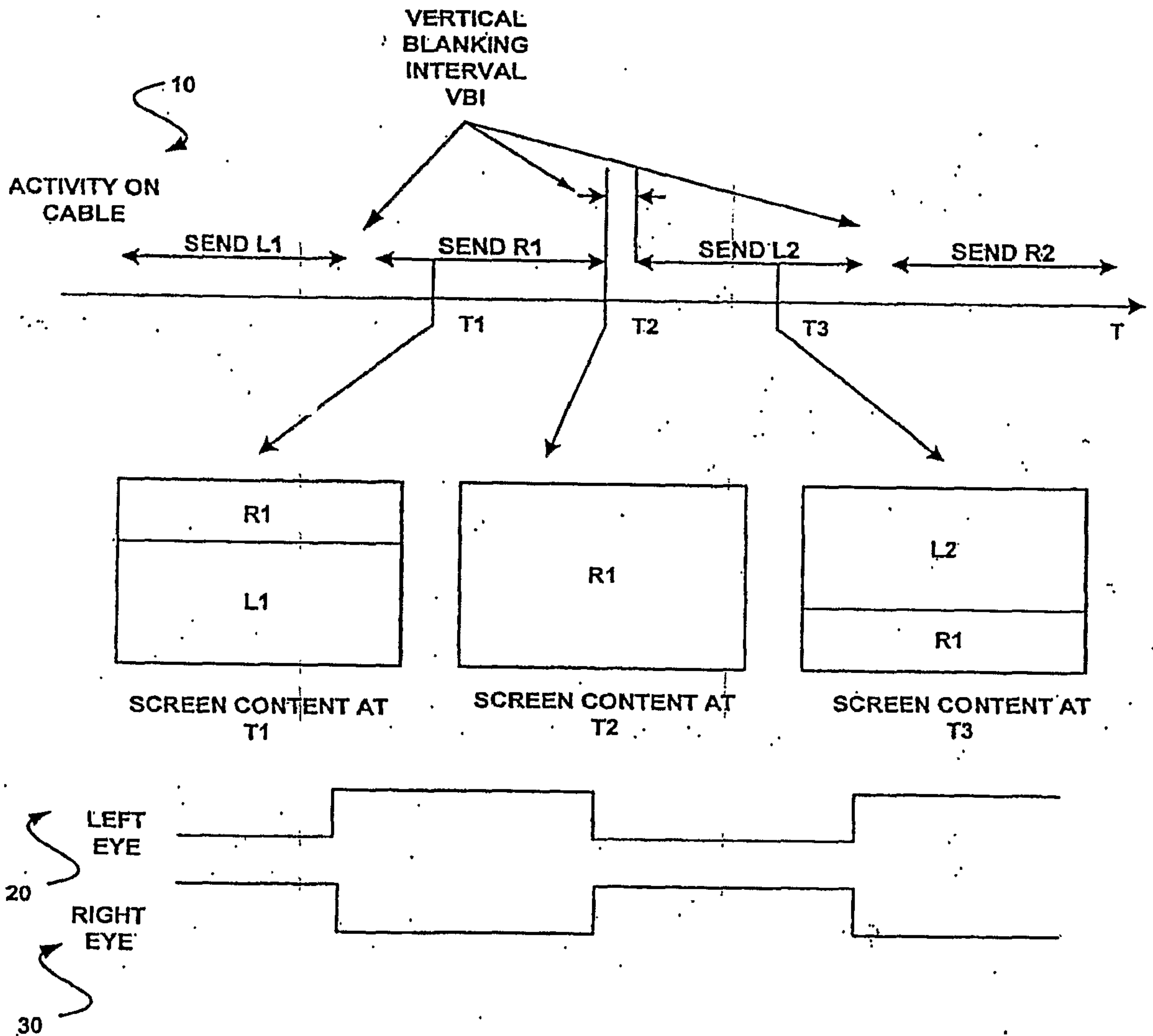


Fig. 1A
(PRIOR ART)

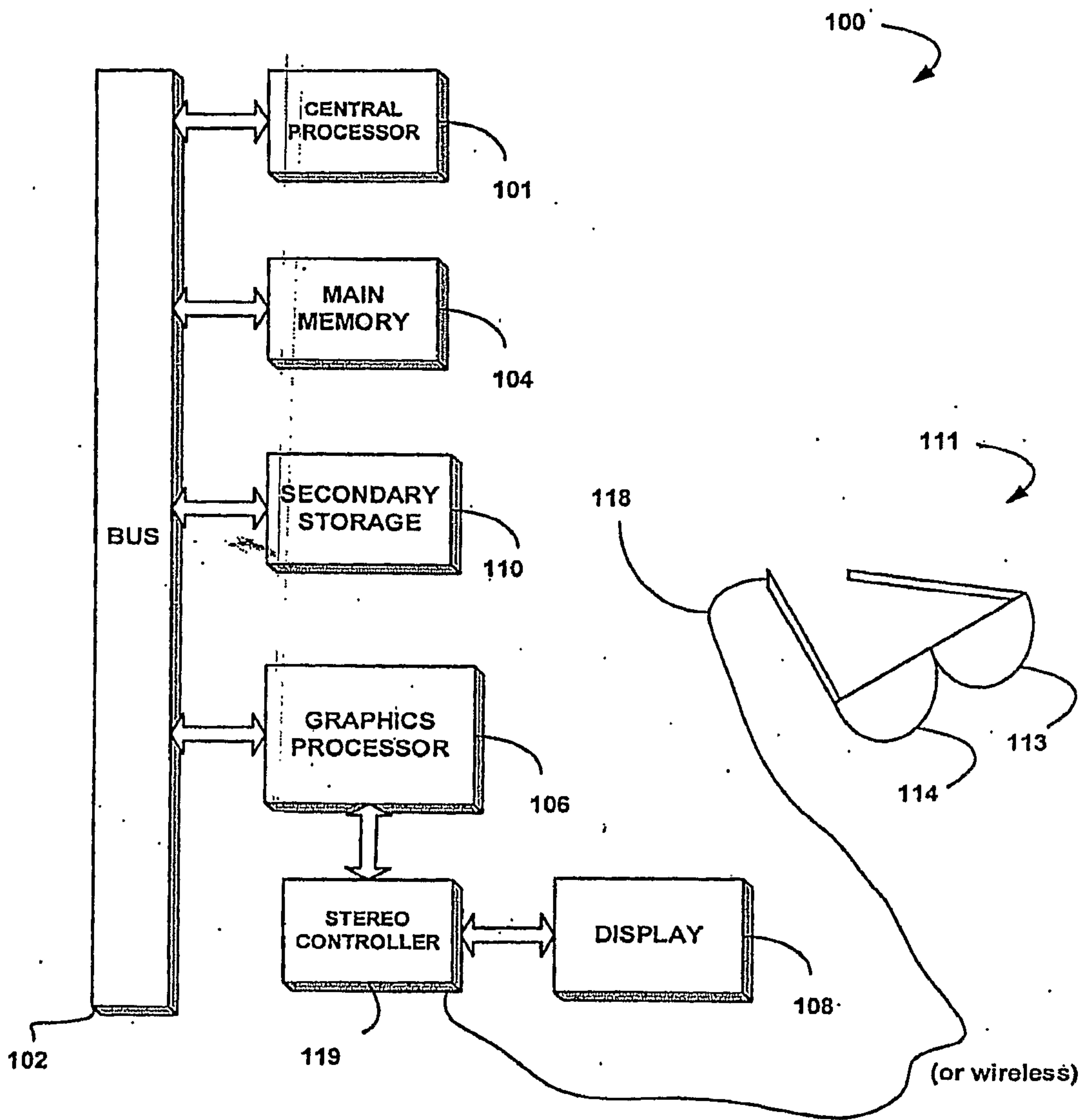


Fig. 1B

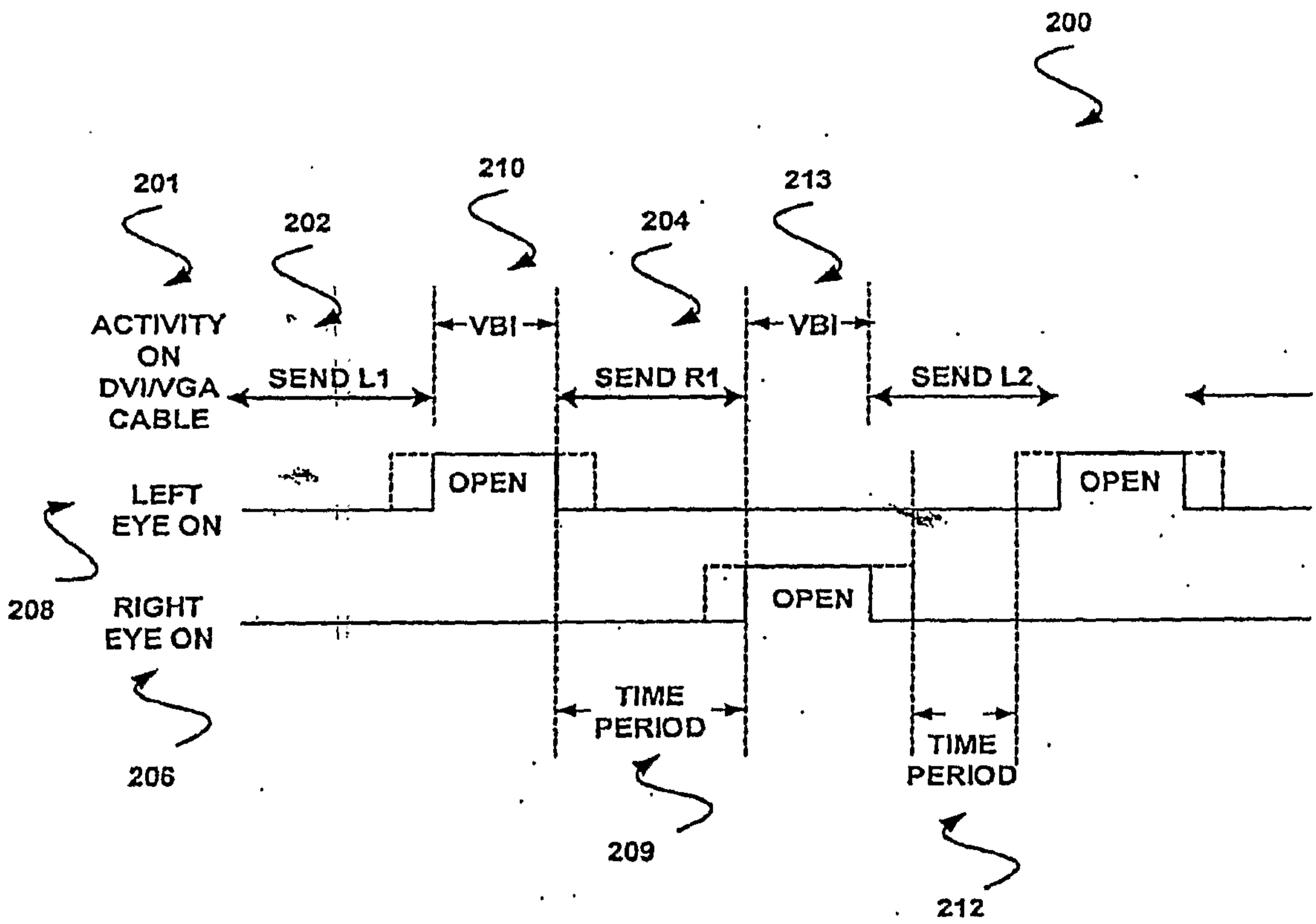


Fig. 2

4/6

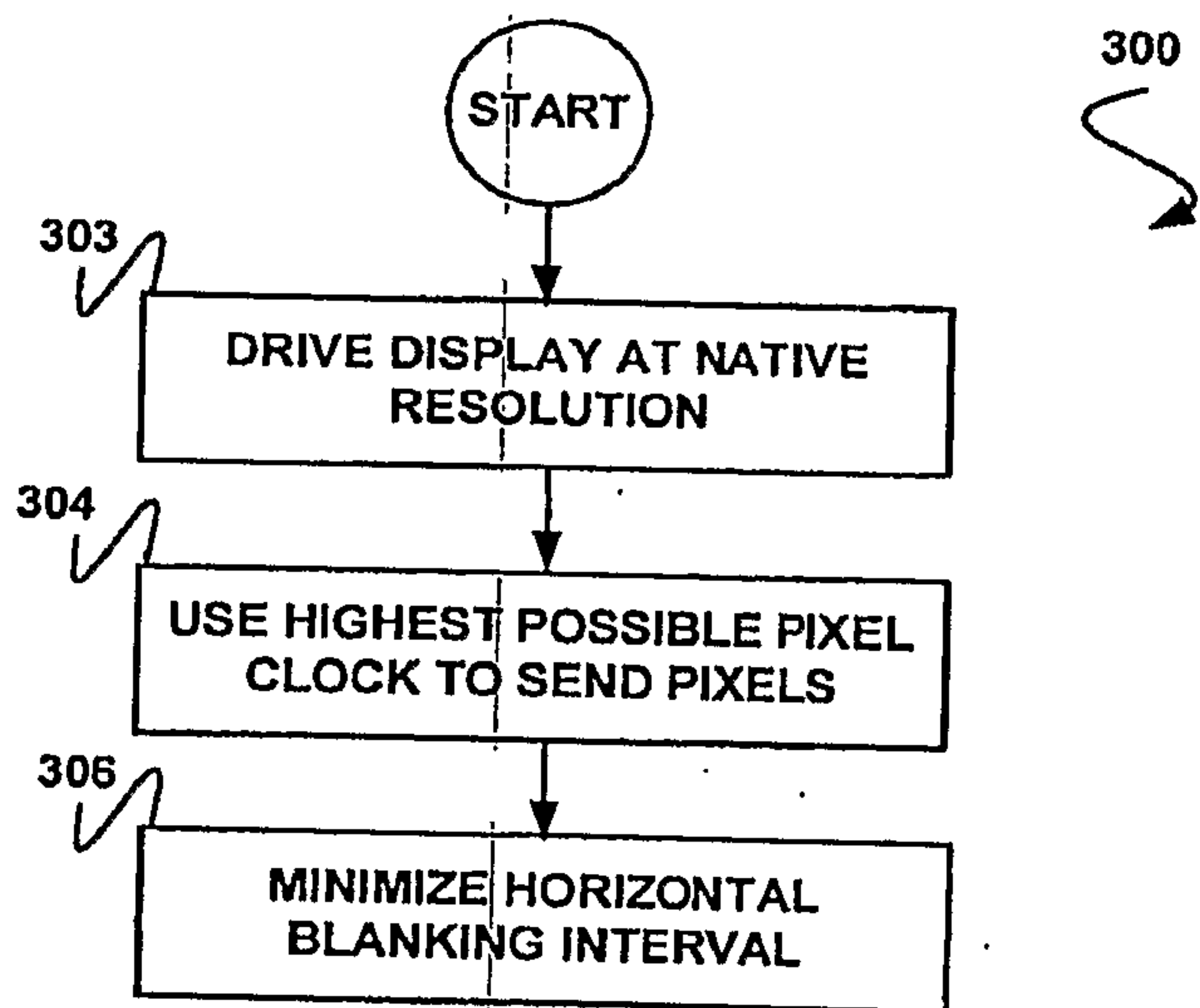


Fig. 3

5/6

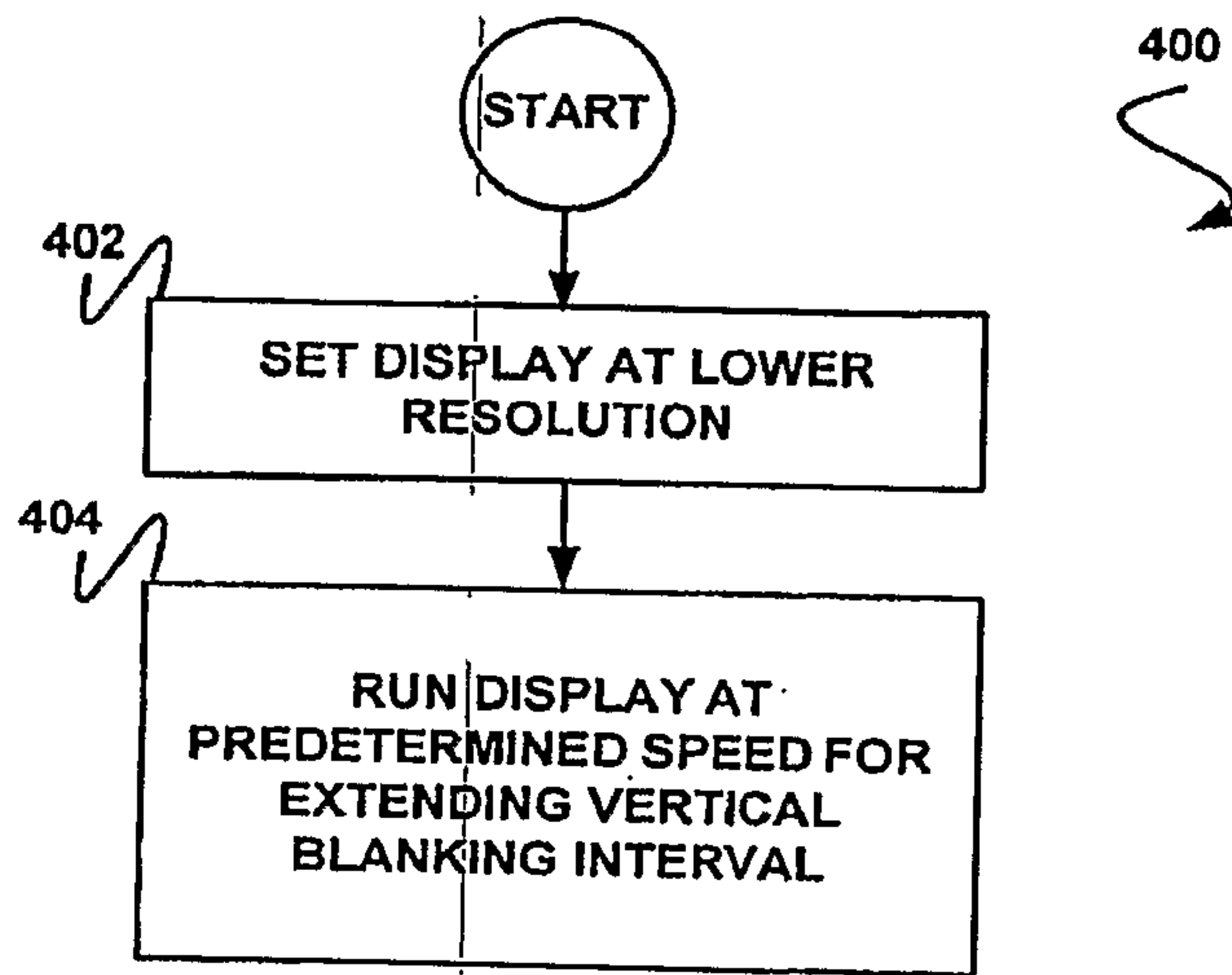


Fig. 4

6/6

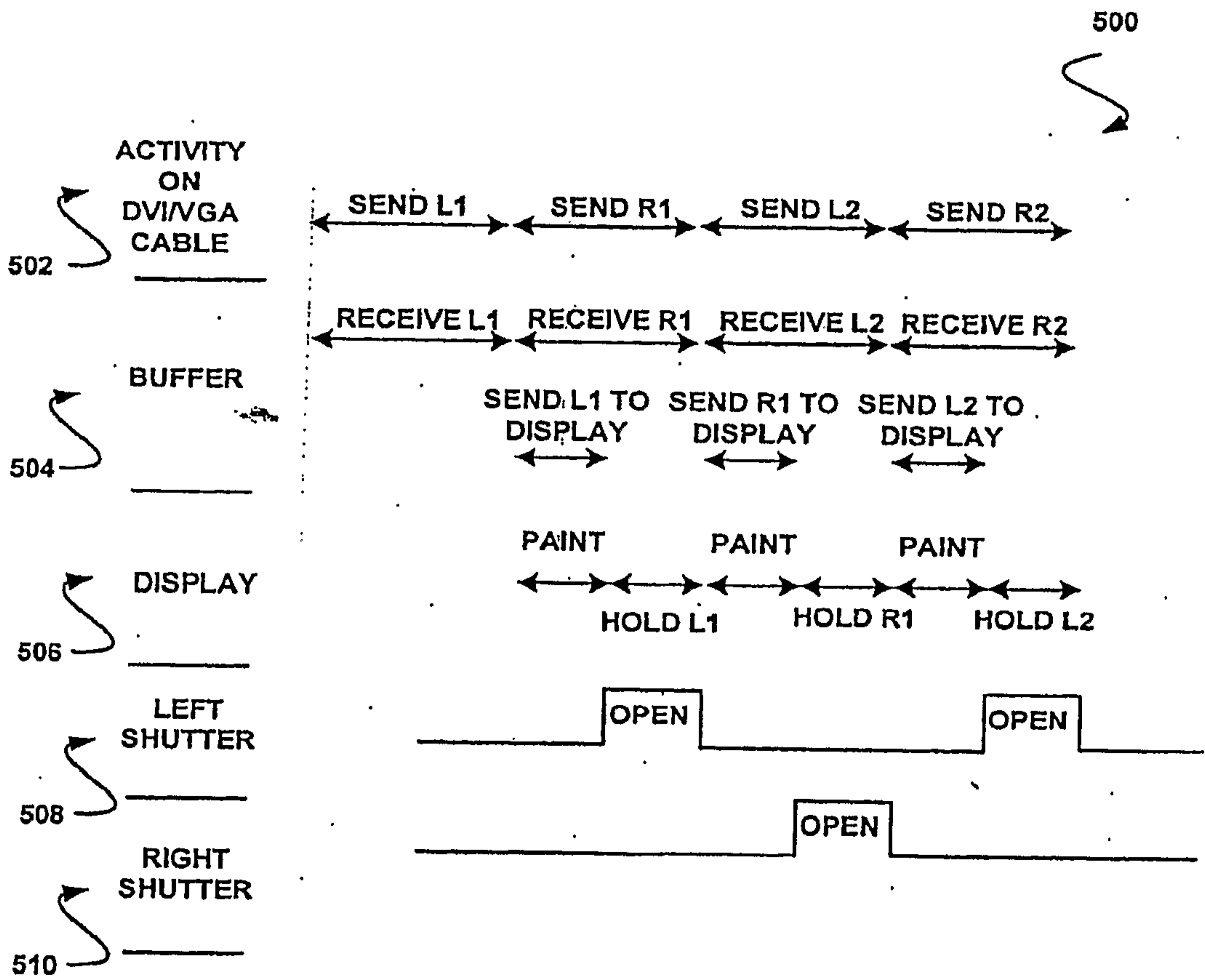


Fig. 5

