



US00D769004S

(12) **United States Design Patent** (10) **Patent No.:** **US D769,004 S**
Bahler (45) **Date of Patent:** **** Oct. 18, 2016**

(54) ROBE HOOK	3,979,584 A * 9/1976 Fossati F21S 8/065 248/224.51
(71) Applicant: Delta Faucet Company , Indianapolis, IN (US)	D496,191 S * 9/2004 Johnson D6/681.3 D499,256 S * 12/2004 Fraser D6/323 D503,286 S * 3/2005 Stevens D6/327 D519,359 S * 4/2006 Hoernig D8/372 D542,038 S * 5/2007 Tau D6/323 7,284,671 B1 * 10/2007 Doscher A63B 71/0036 211/106.01
(72) Inventor: Jordan Renee Bahler , Frankfort, IN (US)	D566,990 S * 4/2008 Cook D6/681.3 2014/0138505 A1 * 5/2014 Maclaren-Taylor ... A47K 10/10 248/231.61
(73) Assignee: DELTA FAUCET COMPANY , Indianapolis, IN (US)	

(**) Term: **14 Years**

* cited by examiner

(21) Appl. No.: **29/513,726**

Primary Examiner — Derrick Holland

(22) Filed: **Jan. 5, 2015**

Assistant Examiner — Lauren Calve

(51) **LOC (10) Cl.** **06-08**

(74) *Attorney, Agent, or Firm* — Edgar A. Zarins; Nirav D. Parikh

(52) **U.S. Cl.**
USPC **D6/323; D8/372**

(58) **Field of Classification Search**
USPC D6/315-328, 681.3; 223/85-98; 211/1, 211/13.1, 32, 85.3, 113; D8/367, 370, 371, D8/372, 373, 380; 248/211, 215, 227.1, 248/227.2, 251, 253, 255, 256, 257, 258, 248/259, 301, 304, 323, 324, 339, 690
CPC A47G 25/32; A47G 25/28; A47G 25/743; A47G 25/746; A47G 29/083; A47G 25/06; A47G 25/0607; A47G 25/10; A47G 25/38; A47G 29/08; A47G 1/17; A47G 7/044; A47G 29/00

(57) **CLAIM**
The ornamental design for a robe hook, as shown and described.

See application file for complete search history.

DESCRIPTION

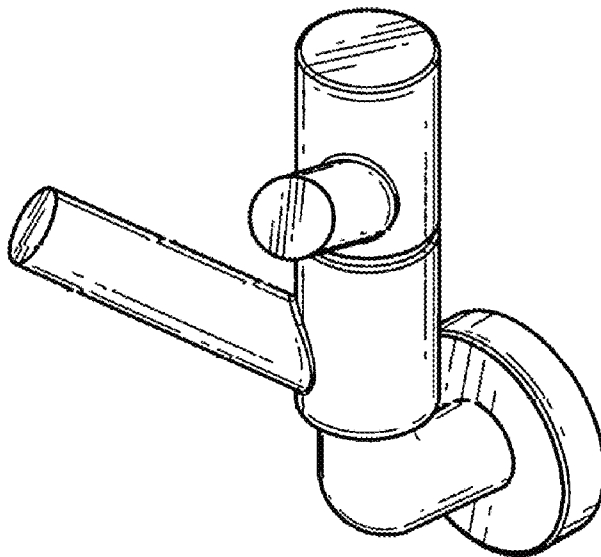
FIG. 1 is a perspective view of a robe hook showing my new design;
FIG. 2 is a first side view thereof;
FIG. 3 is a second side view thereof;
FIG. 4 is a front elevational view thereof;
FIG. 5 is a rear view thereof;
FIG. 6 is a bottom plan view thereof; and,
FIG. 7 is a top plan view thereof.
The broken lines shown represent unclaimed subject matter and form no part of the claimed design.

(56) **References Cited**

U.S. PATENT DOCUMENTS

1,691,123 A * 11/1928 Pajeau A47G 25/743
211/113
3,900,180 A * 8/1975 McPhee A47K 10/12
248/288.31

1 Claim, 2 Drawing Sheets



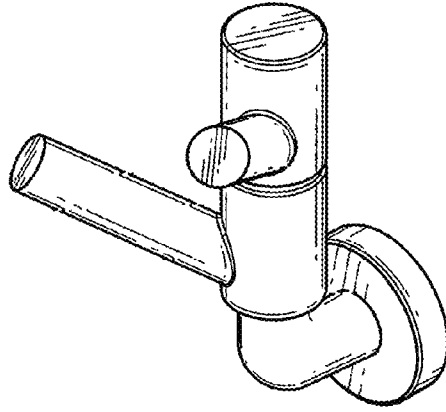


Fig-1

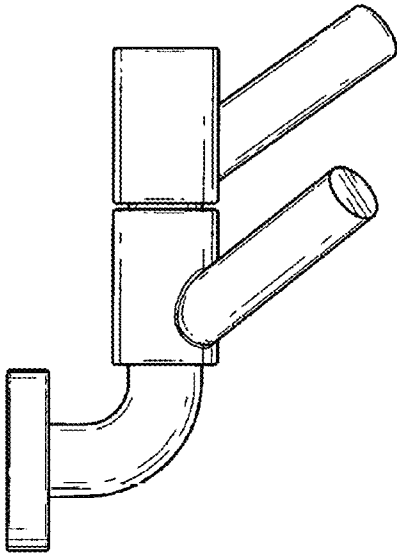


Fig-2

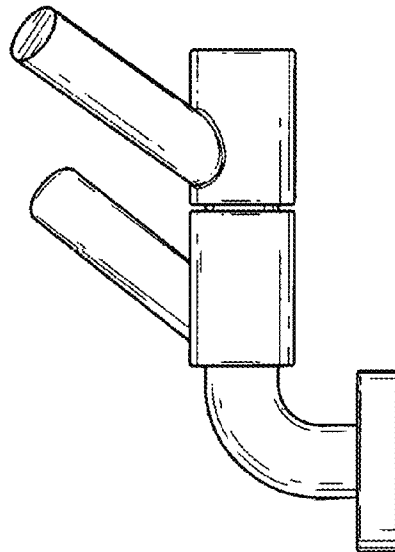


Fig-3

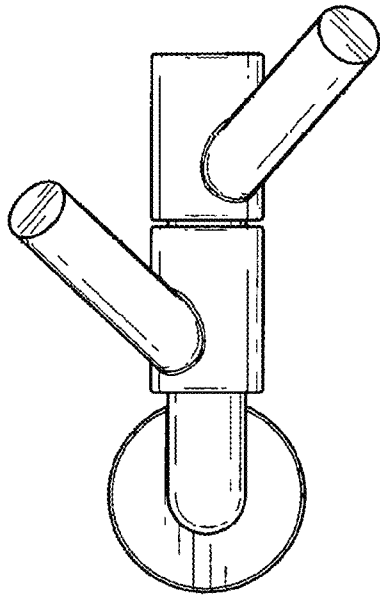


Fig-4

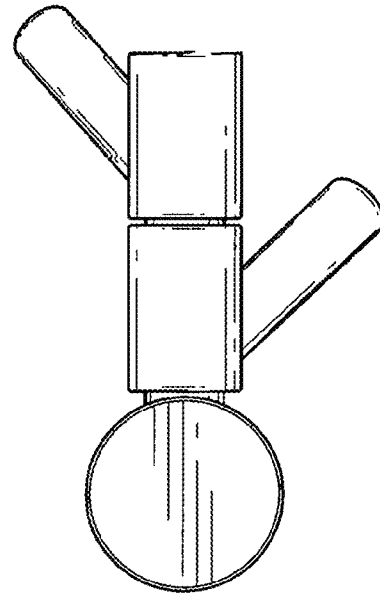


Fig-5

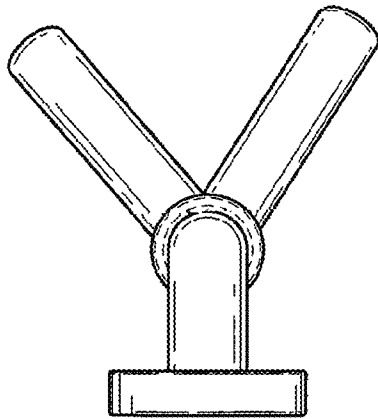


Fig-6

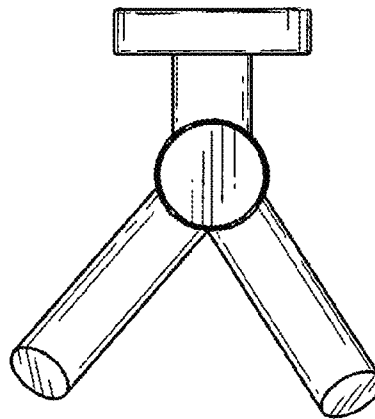


Fig-7