



US00D894248S

(12) **United States Design Patent**
Kim et al.

(10) **Patent No.:** **US D894,248 S**

(45) **Date of Patent:** **** Aug. 25, 2020**

(54) **ROBOT**
(71) Applicant: **ROBORUS Co., Ltd.**, Seoul (KR)
(72) Inventors: **Dae Hoon Kim**, Seoul (KR); **Sang Ki Lee**, Yongin-si (KR)
(73) Assignee: **ROBORUS CO., LTD.**, Seoul (KR)
(**) Term: **15 Years**
(21) Appl. No.: **29/662,173**
(22) Filed: **Sep. 4, 2018**

6,250,448 B1 * 6/2001 Salecker B60K 28/165
192/103 F
D450,788 S * 11/2001 Kawasaki D21/578
D453,361 S * 2/2002 Tsai D21/578
D460,131 S * 7/2002 Koshiishi D21/578
D460,503 S * 7/2002 Koshiishi D21/578
D536,010 S * 1/2007 Takahashi D15/199
D541,353 S * 4/2007 Takahashi D21/578
D563,443 S * 3/2008 Ahn D15/199
7,404,491 B2 * 7/2008 Hakola B01D 45/12
209/715
D635,603 S * 4/2011 Paz Rodriguez D15/199
D639,353 S * 6/2011 Stibolt D21/578
D677,743 S * 3/2013 Koshiishi D15/199

(Continued)

(30) **Foreign Application Priority Data**

Aug. 31, 2018 (KR) 30-2018-0040641

(51) **LOC (12) Cl.** **15-99**

(52) **U.S. Cl.**
USPC **D15/199**

(58) **Field of Classification Search**
USPC D15/199; D21/578-583, 621, 622;
D32/21
CPC B25J 5/007; B60B 19/006; B62D 57/024;
H01F 7/0221; Y10S 901/01

See application file for complete search history.

(56) **References Cited**

U.S. PATENT DOCUMENTS

4,137,984 A * 2/1979 Jennings B62D 1/28
180/168
4,571,203 A * 2/1986 Murakami A63H 33/003
446/376
4,926,994 A * 5/1990 Koshizawa B60K 23/02
192/110 R
5,896,963 A * 4/1999 Schwientek B60W 30/18
192/3.62
5,982,280 A * 11/1999 Fahrbach F16D 48/066
340/453

OTHER PUBLICATIONS

CES 2018 Exhibitor Directory, Jan. 9, 2018, Las Vegas, NV, CES.tech, Consumer Technology Association, Roborus Co., Ltd., 52731 (see the red box part).

(Continued)

Primary Examiner — Patricia A Palasik

(74) *Attorney, Agent, or Firm* — Lex IP Meister, PLLC

(57) **CLAIM**

The ornamental design for a robot, as shown and described.

DESCRIPTION

FIG. 1 is a perspective view of the robot showing my design; FIG. 2 is a front elevation view thereof; FIG. 3 is a back elevation view thereof; FIG. 4 is a left side elevation view thereof; FIG. 5 is a right side elevation view thereof; FIG. 6 is a top plan view thereof; and, FIG. 7 is a bottom plan view thereof.

The broken lines in the drawings depict portions of the robot that form no part of the claimed design.

1 Claim, 7 Drawing Sheets

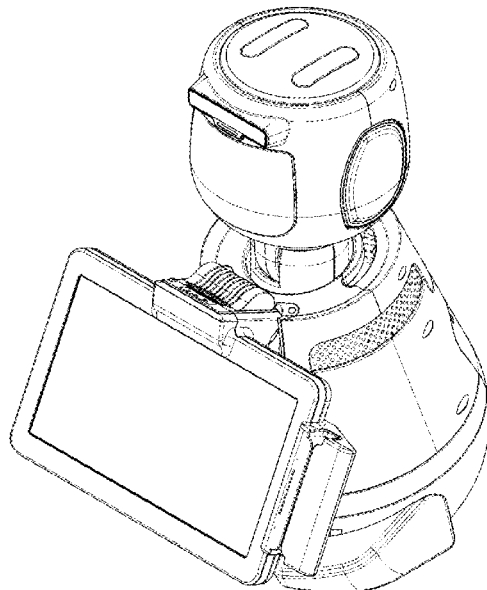


FIG. 1

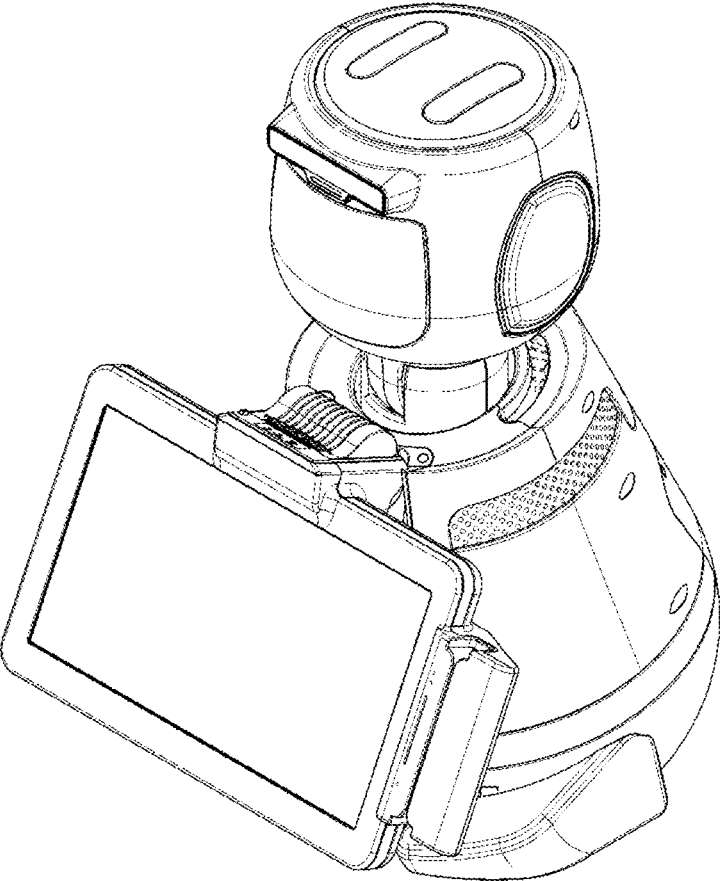


FIG. 2

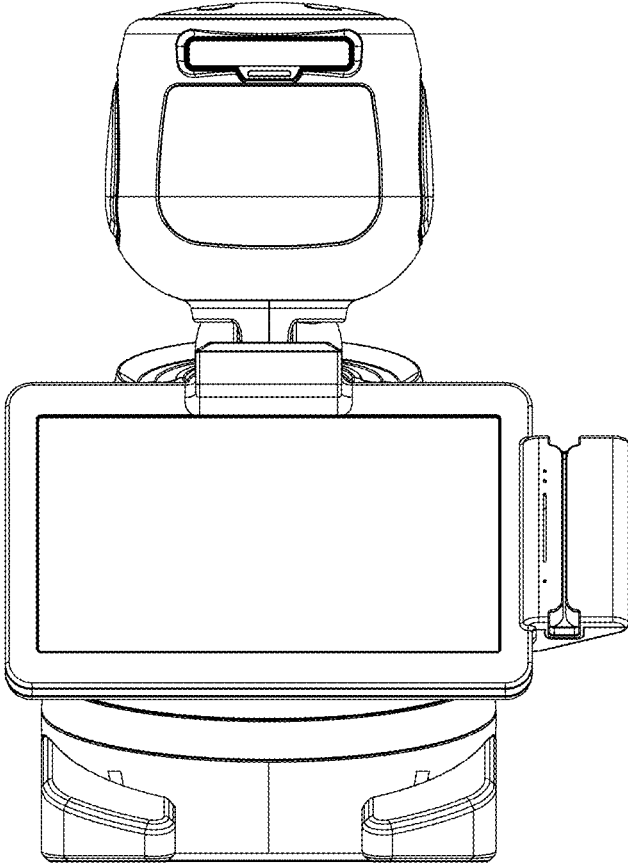


FIG. 3

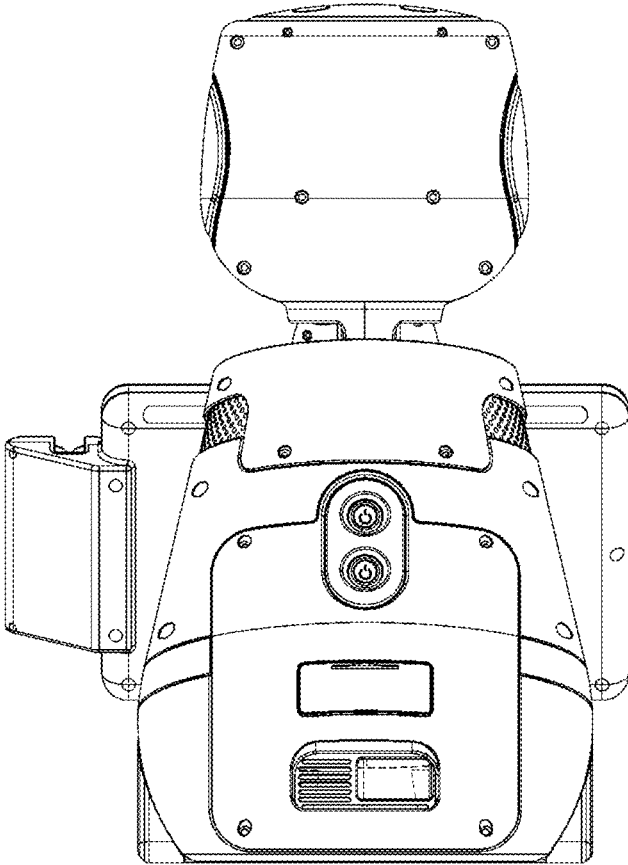


FIG. 4

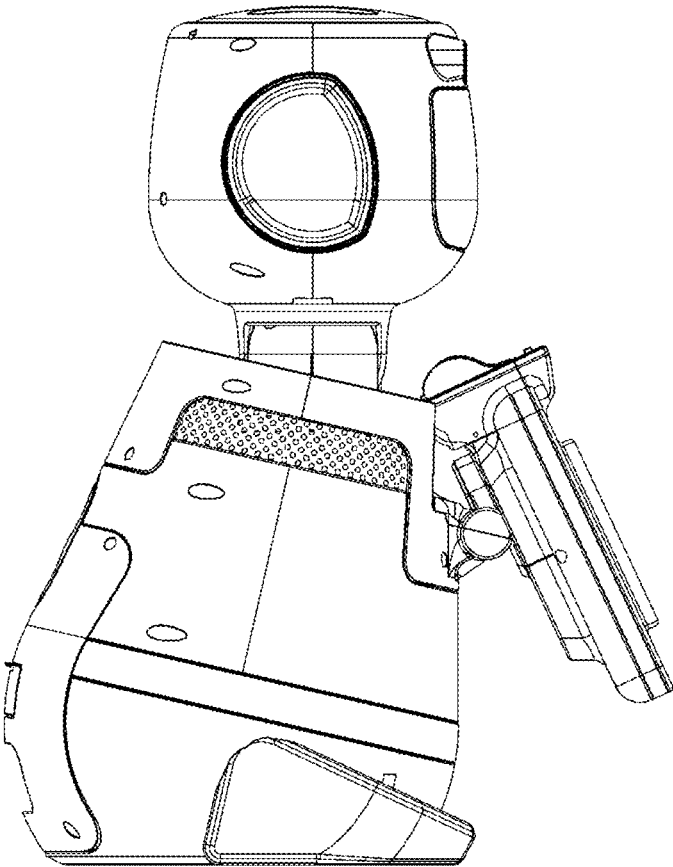


FIG. 5

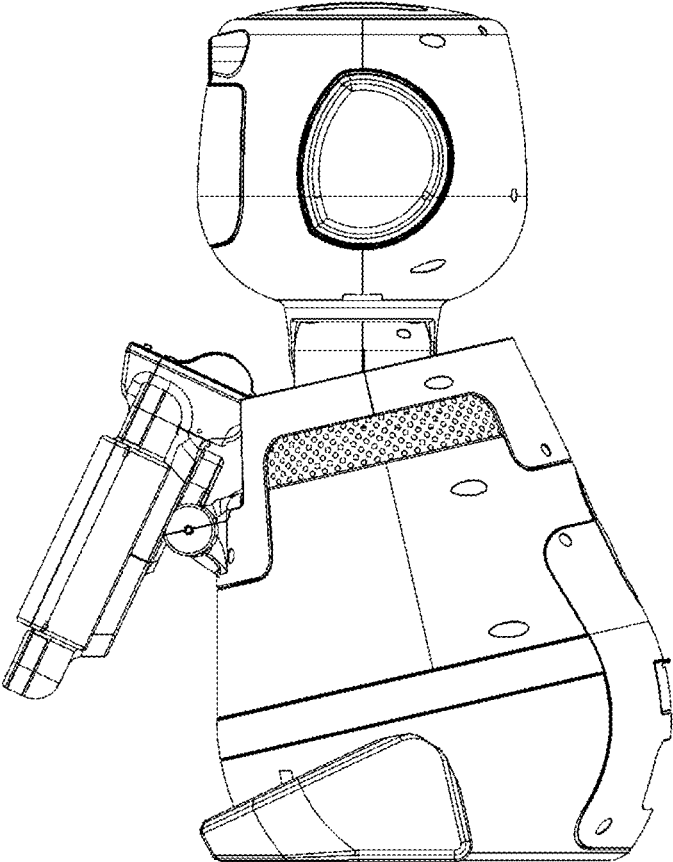


FIG. 6

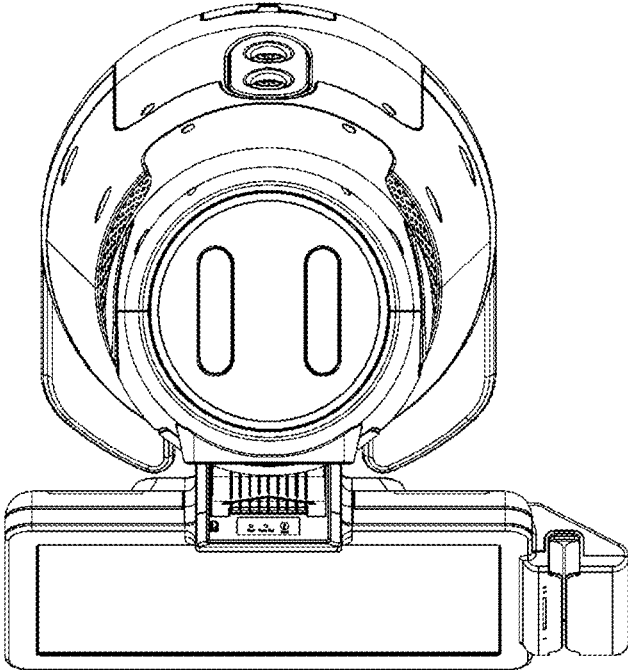


FIG. 7

