



US00D504979S

(12) **United States Design Patent**
Lai

(10) **Patent No.:** **US D504,979 S**

(45) **Date of Patent:** **** May 10, 2005**

(54) **COSMETICS BOX**

(75) **Inventor:** **Chin-Chun Lai, Hsinchu (TW)**

(73) **Assignee:** **Chao Ling Chemical Industry Co., Ltd., Hsinchu (TW)**

(**) **Term:** **14 Years**

(21) **Appl. No.:** **29/207,789**

(22) **Filed:** **Jun. 21, 2004**

(51) **LOC (7) Cl.** **28-02**

(52) **U.S. Cl.** **D28/76; D28/79; D9/307; D21/398**

(58) **Field of Search** **D28/76-85, 73, D28/91; 132/293-307, 313-318, 320; D21/398, 813; D9/307; 401/125**

(56) **References Cited**

U.S. PATENT DOCUMENTS

2,554,489 A * 5/1951 Crane 401/125

D219,496 S * 12/1970 Lebedeff D28/85
D224,608 S * 8/1972 Okuhara et al. D28/76
D393,016 S * 3/1998 Young D21/398
D489,148 S * 4/2004 Sheng D28/79

* cited by examiner

Primary Examiner—Jennifer Rivard

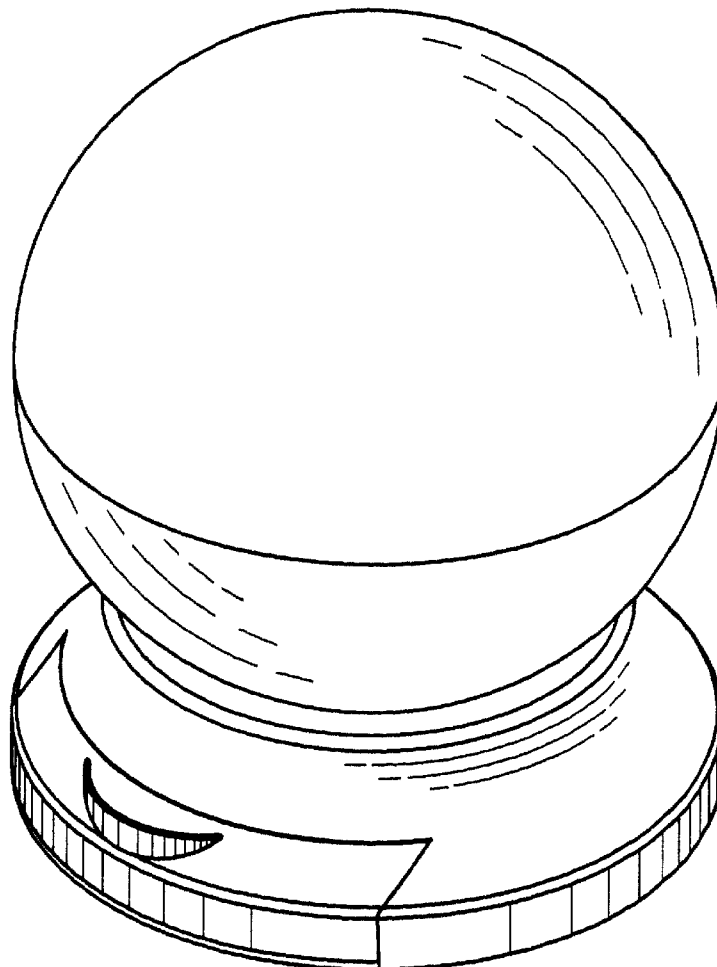
(57) **CLAIM**

The ornamental design for cosmetics box, as shown and described.

DESCRIPTION

FIG. 1 is a perspective view thereof;
FIG. 2 is a front view thereof;
FIG. 3 is a back view thereof;
FIG. 4 is a left side view thereof;
FIG. 5 is a right side view thereof;
FIG. 6 is a top view thereof; and,
FIG. 7 is a bottom view thereof.

1 Claim, 7 Drawing Sheets



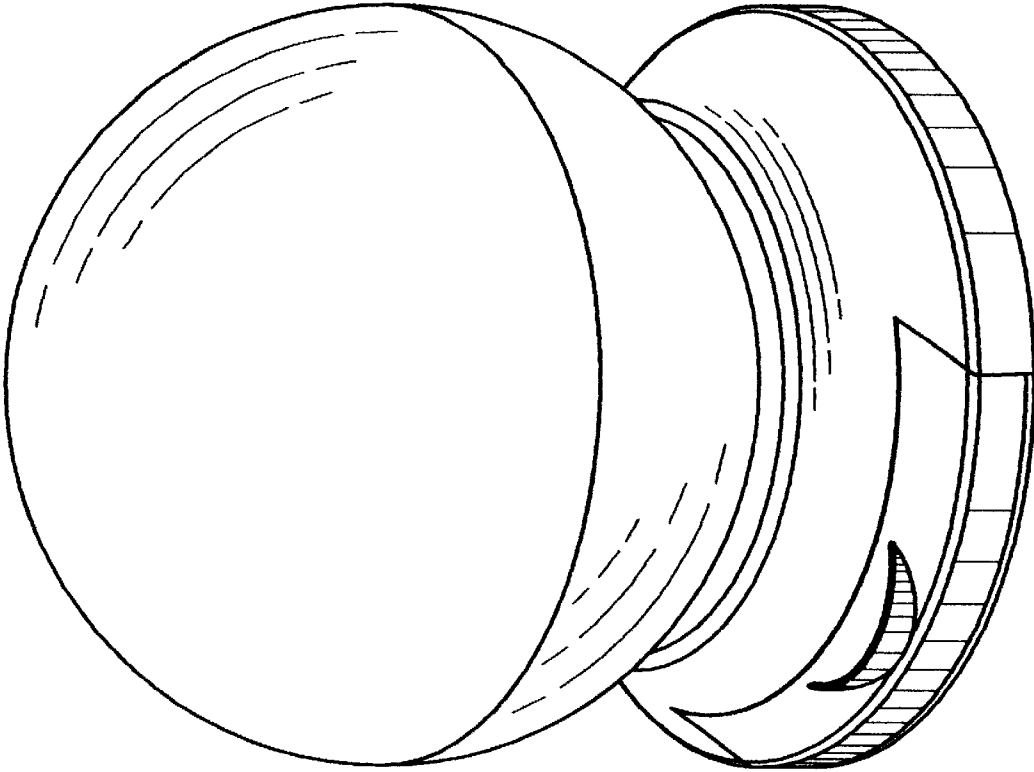


FIG. 1

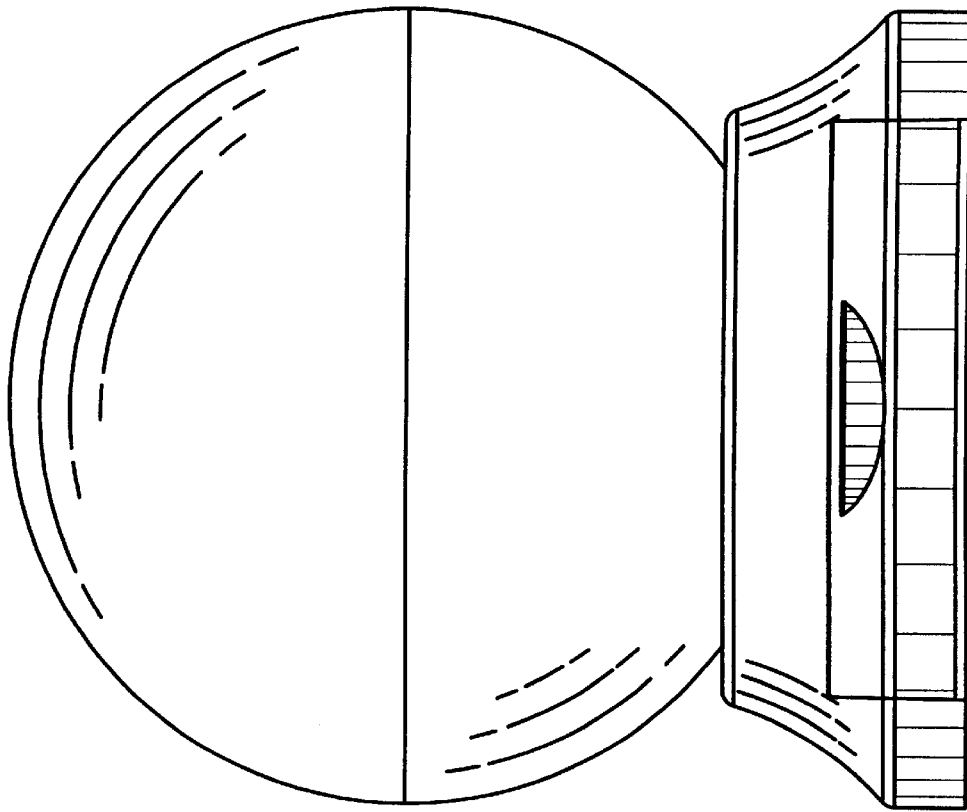


FIG.2

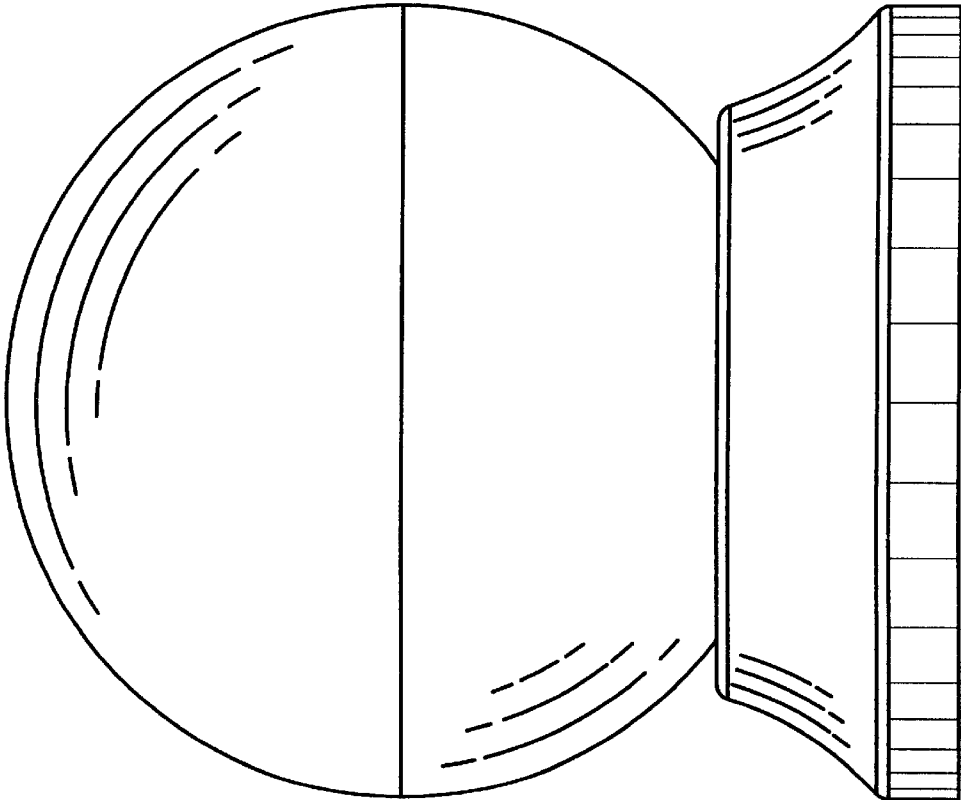


FIG. 3

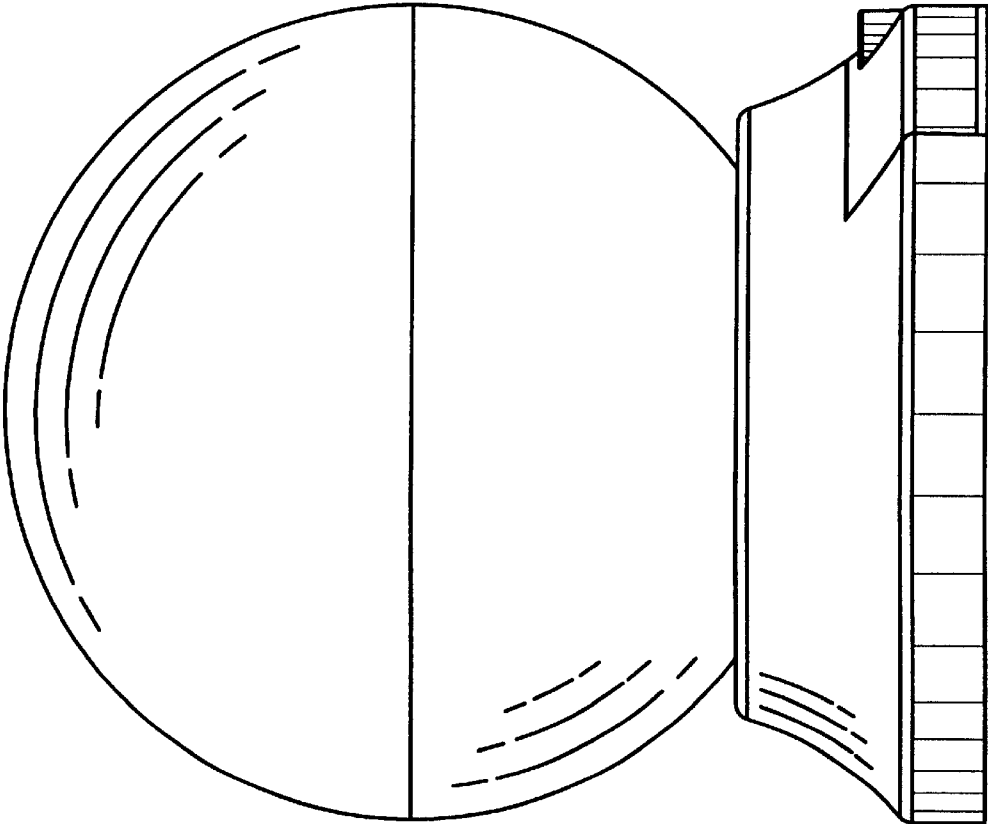


FIG.4

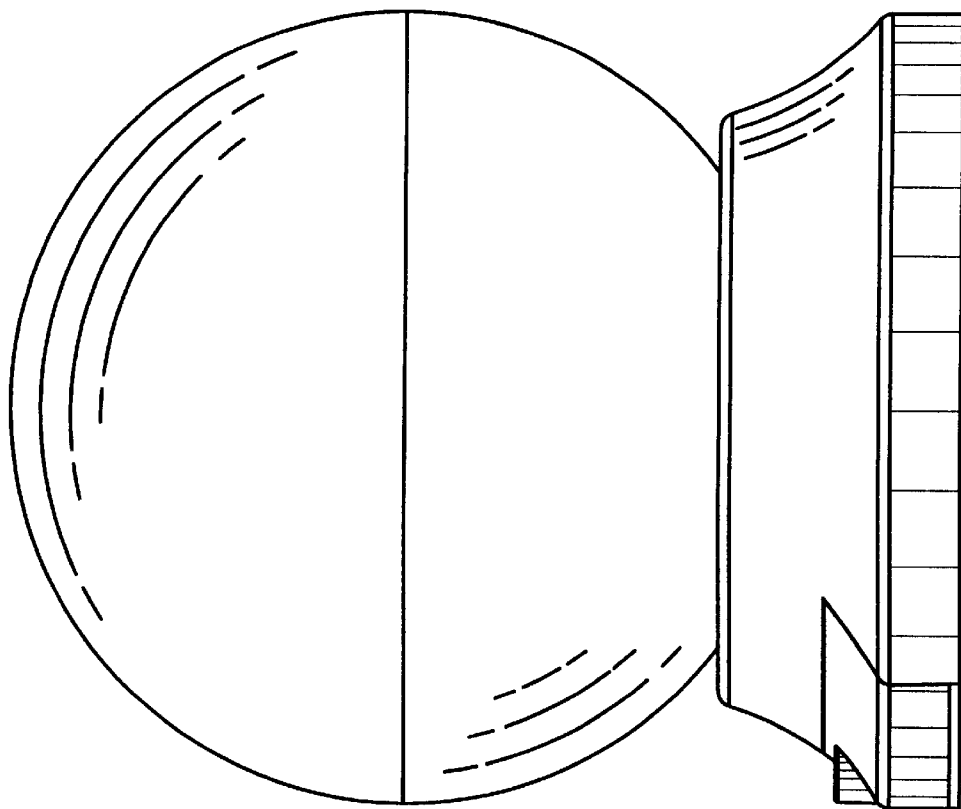


FIG.5

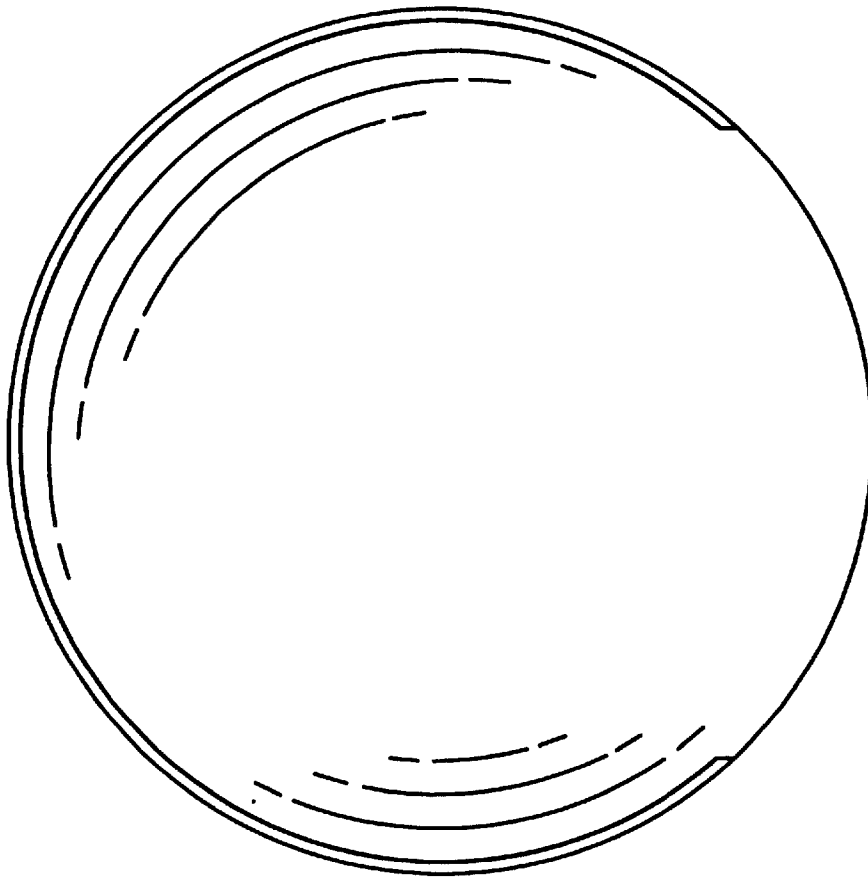


FIG.6

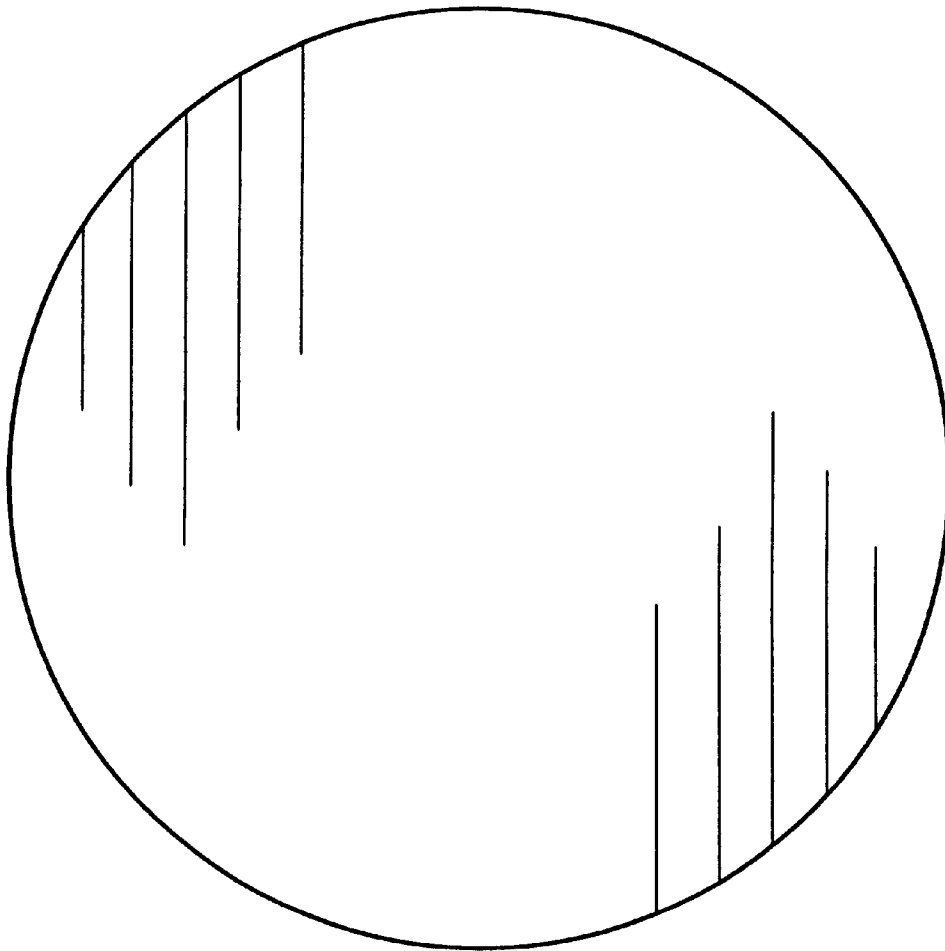


FIG.7