



(51) International Patent Classification:
H04W 24/00 (2009.01)

(21) International Application Number:

PCT/US20 14/0297 13

(22) International Filing Date:

14 March 2014 (14.03.2014)

(25) Filing Language:

English

(26) Publication Language:

English

(30) Priority Data:

61/799,986	15 March 2013 (15.03.2013)	US
61/800,036	15 March 2013 (15.03.2013)	US
61/799,846	15 March 2013 (15.03.2013)	US
61/799,817	15 March 2013 (15.03.2013)	US
61/799,13 1	15 March 2013 (15.03.2013)	US

(72) Inventors; and

(71) Applicants : **BELL, Tyler** [US/US]; 1477 Theresa Avenue, Campbell, CA 95008 (US). **MICHEL, Bill** [US/US]; 404 Floral Park, South Pasadena, CA 91030 (US). **TIP-PING, Spencer** [US/US]; 1801 Avenue of the Stars, Suite 1450, Los Angeles, CA 90067 (US). **WHITE, Tom** [US/US]; 11507 National Boulevard, Los Angeles, CA 90064 (US). **SHIMANOVSKY, Boris** [US/US]; 2417 Bagley Avenue, Los Angeles, CA 90034 (US).

(74) Agents: **GOLDENBERG, Richard, A.** et al; Wilmer Cutler Pickering Hale and Dorr LLP, 60 State Street, Boston, MA 02109 (US).

(81) Designated States (unless otherwise indicated, for every kind of national protection available): AE, AG, AL, AM, AO, AT, AU, AZ, BA, BB, BG, BH, BN, BR, BW, BY, BZ, CA, CH, CL, CN, CO, CR, CU, CZ, DE, DK, DM, DO, DZ, EC, EE, EG, ES, FI, GB, GD, GE, GH, GM, GT, HN, HR, HU, ID, IL, IN, IR, IS, JP, KE, KG, KN, KP, KR, KZ, LA, LC, LK, LR, LS, LT, LU, LY, MA, MD, ME, MG, MK, MN, MW, MX, MY, MZ, NA, NG, NI, NO, NZ, OM, PA, PE, PG, PH, PL, PT, QA, RO, RS, RU, RW, SA, SC, SD, SE, SG, SK, SL, SM, ST, SV, SY, TH, TJ, TM, TN, TR, TT, TZ, UA, UG, US, UZ, VC, VN, ZA, ZM, ZW.

(84) Designated States (unless otherwise indicated, for every kind of regional protection available): ARIPO (BW, GH, GM, KE, LR, LS, MW, MZ, NA, RW, SD, SL, SZ, TZ, UG, ZM, ZW), Eurasian (AM, AZ, BY, KG, KZ, RU, TJ, TM), European (AL, AT, BE, BG, CH, CY, CZ, DE, DK, EE, ES, FI, FR, GB, GR, HR, HU, IE, IS, IT, LT, LU, LV, MC, MK, MT, NL, NO, PL, PT, RO, RS, SE, SI, SK, SM, TR), OAPI (BF, BJ, CF, CG, CI, CM, GA, GN, GQ, GW, KM, ML, MR, NE, SN, TD, TG).

[Continued on nextpage]

(54) Title: APPARATUS, SYSTEMS, AND METHODS FOR ANALYZING MOVEMENTS OF TARGET ENTITIES

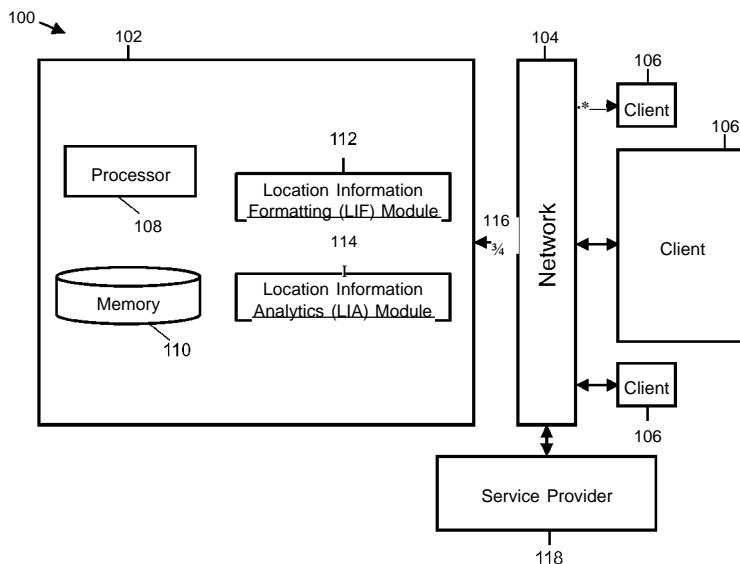


FIG. 1

(57) Abstract: The present disclosure relates to apparatus, systems, and methods for providing a location information analytics mechanism. The location information analytics mechanism is configured to analyze location information to extract contextual information (e.g., profile) about a mobile device or a user of a mobile device, collectively referred to as a target entity. The location information analytics mechanism can include analyzing location data points associated with a target entity to determine features associated with the target entity, and using the features to predict attributes associated with the target entity. The set of predicted attributes can form a profile of the target entity.



Published:

— *with international search report (Art. 21(3))*

(88) Date of publication of the international search report:

29 January 2015

INTERNATIONAL SEARCH REPORT

International application No.

PCT/US 14/29713

<p>A. CLASSIFICATION OF SUBJECT MATTER IPC(8) - H04W 24/00 (2014.01) CPC - H04W 64/00 According to International Patent Classification (IPC) or to both national classification, and IPC</p>		
<p>B. FIELDS SEARCHED Minimum documentation searched (classification system followed by classification symbols) USPC: 455/456.1; IPC(8): H04W 24/00 (2014.01); CPC: H04W64/D0</p>		
<p>Documentation searched other than minimum documentation to the extent that such documents are included in the fields searched USPC: 702/150, 702/141; 345/169, 345/649; 455/435.1, 455/404.2, 455/456.1 ; IPC(8): H04W 24/00 (2014.01); CPC: H04W64/00, H04W4/02, H04L29/08657, G01S5/0252, G01S5/02</p>		
<p>Electronic data base consulted during the international search (name of data base and, where practicable, search terms used) PatBase, Google Patents, IEEE; Search Terms: home, location, geographic information, data, analytic, points, attributes, cluster, context, profile, time series, sessions, mobile, electronic, cell, computing, device, phone, target, entity, person, man, women, child, prediction, accuracy, proximity, statistical, determining, finding, calculating</p>		
<p>C. DOCUMENTS CONSIDERED TO BE RELEVANT</p>		
Category*	Citation of document, with indication, where appropriate, of the relevant passages	Relevant to claim No.
X -- Y	US 2008/0248815 A1 (BUSCH) 08 April 2008 (08.04.2008), entire document, especially Abstract and para [0159], [0172], [0173], [0218], [0219], [0220], [0237], [0245], [0271], [0272], [0275], [0277], [0335]-[0339], [0341]-[0347], [0350]-[0356], [0364], [0368]-[0372], [0379], [0385], [0392]-[0394], [0399], [0404].	1-8, 12-22 ----- 9-1 1
Y	US 2010/0004997 A1 (MEHTA et al.) 07 January 2010 (07.01 .2010), entire document especially Abstract, [0007], [0009], [0010].	9-1 1
A	US 2009/0319346 A1 (FOGEL et al.) 24 December 2009 (24.12.2009), entire document.	1-22
A	US 2010/0079336 A1 (SKIBISKI et al.) 01 April 2010 (01 .04.2010), entire document.	1-22
A	US 2005/0096997 A1 (JAIN et al.) 05 May 2005 (05.05.2005), entire document.	1-22
<p><input type="checkbox"/> Further documents are listed in the continuation of Box C. <input type="checkbox"/></p>		
<p>* Special categories of cited documents:</p> <p>"A" document defining the general state of the art which is not considered to be of particular relevance</p> <p>"E" earlier application or patent but published on or after the international filing date</p> <p>"L" document which may throw doubts on priority claim(s) or which is cited to establish the publication date of another citation or other special reason (as specified)</p> <p>"O" document referring to an oral disclosure, use, exhibition or other means</p> <p>"P" document published prior to the international filing date but later than the priority date claimed</p> <p>"T" later document published after the international filing date or priority date and not in conflict with the application but cited to understand the principle or theory underlying the invention</p> <p>"X" document of particular relevance; the claimed invention cannot be considered novel or cannot be considered to involve an inventive step when the document is taken alone</p> <p>"Y" document of particular relevance; the claimed invention cannot be considered to involve an inventive step when the document is combined with one or more other such documents, such combination being obvious to a person skilled in the art</p> <p>"&" document member of the same patent family</p>		
Date of the actual completion of the international search. 16 September 2014 (16.09.2014)		Date of mailing of the international search report <p align="center">0 5 NOV 2014</p>
Name and mailing address of the ISA/US Mail Stop PCT, Attn: ISA/LIS, Commissioner for Patents P.O. Box 1450, Alexandria, Virginia 22313-1450 Facsimile No. 571-273-3201		Authorized officer: <p align="center">Lee W. Young</p> PCT Helpdesk: 571-272-4300 PCT OSP: 571-272-7774