



US00D750014S

(12) **United States Design Patent**
Yang et al.

(10) **Patent No.:** **US D750,014 S**

(45) **Date of Patent:** **** Feb. 23, 2016**

- (54) **TIRE**
- (71) Applicant: **Fortune Gold Enterprises LTD.**,
Victoria, Mahe (SC)
- (72) Inventors: **Xiaoyun Yang**, Zhaoyuan (CN);
Guoqing Su, Zhaoyuan (CN); **Dong Chen**, Zhaoyuan (CN); **Yanwei Zhao**,
Zhaoyuan (CN); **Xiumei Wang**,
Zhaoyuan (CN)
- (73) Assignee: **Fortune Gold Enterprises LTD.**,
Victoria, Mahe (SC)
- (**) Term: **14 Years**
- (21) Appl. No.: **29/499,613**
- (22) Filed: **Aug. 18, 2014**
- (51) **LOC (10) Cl.** **12-15**
- (52) **U.S. Cl.**
USPC **D12/584**
- (58) **Field of Classification Search**
USPC D12/500-568, 580-604, 900
CPC B60C 1/0016; B60C 11/0306; B60C
11/0302; B60C 3/06; B60C 9/17
See application file for complete search history.

D641,690 S *	7/2011	Kato	D12/603
D656,893 S *	4/2012	Kiwaki	D12/594
D667,363 S *	9/2012	Kudo	D12/584
D682,776 S *	5/2013	Miyazaki	D12/585
D688,196 S *	8/2013	Fujita	D12/585
D714,212 S *	9/2014	Wang	D12/585
D740,209 S *	10/2015	Parr	D12/584

OTHER PUBLICATIONS

http://tiresaddict.com/vendor/kumho/ecowing_es01_kh27/*

* cited by examiner

Primary Examiner — Robert M Spear

Assistant Examiner — John Voytek

(74) *Attorney, Agent, or Firm* — Wiersch IP Law

(57) **CLAIM**

The ornamental design for a tire, as shown and described.

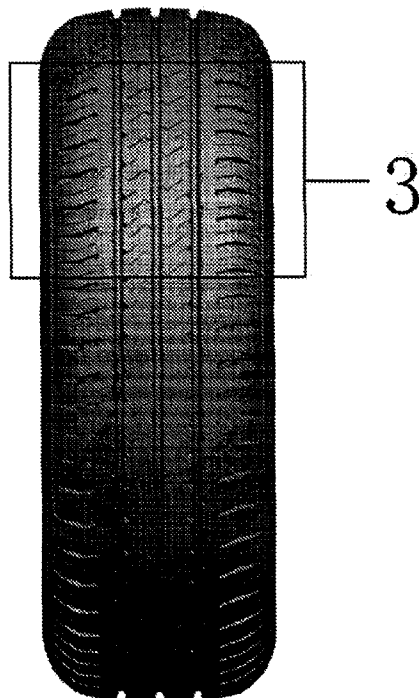
DESCRIPTION

FIG. 1 is a front view of tire showing our design.
 FIG. 2 is a left view thereof.
 FIG. 3 is a partial enlarged view of Detail 3 in FIG. 1
 FIG. 4 is a perspective view thereof; and,
 FIG. 5 is a perspective view thereof.

(56) **References Cited**
 U.S. PATENT DOCUMENTS

D641,685 S * 7/2011 Youn D12/584

1 Claim, 5 Drawing Sheets



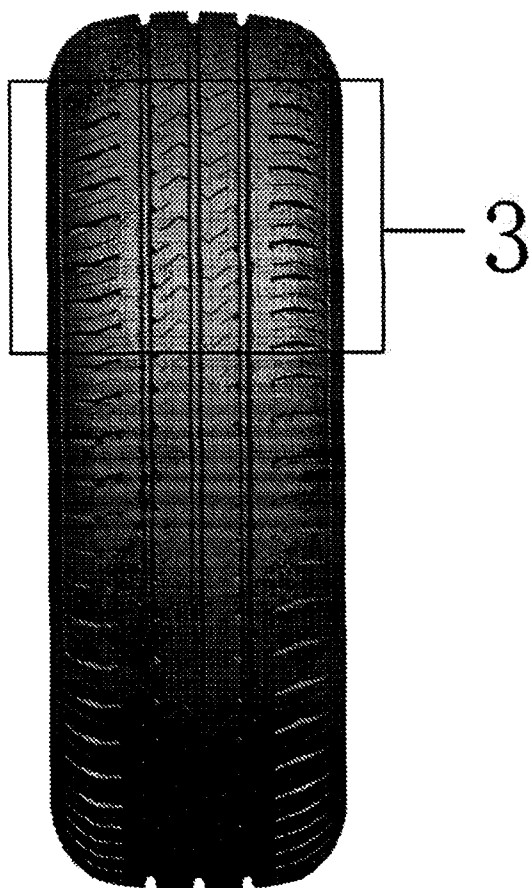


Fig. 1

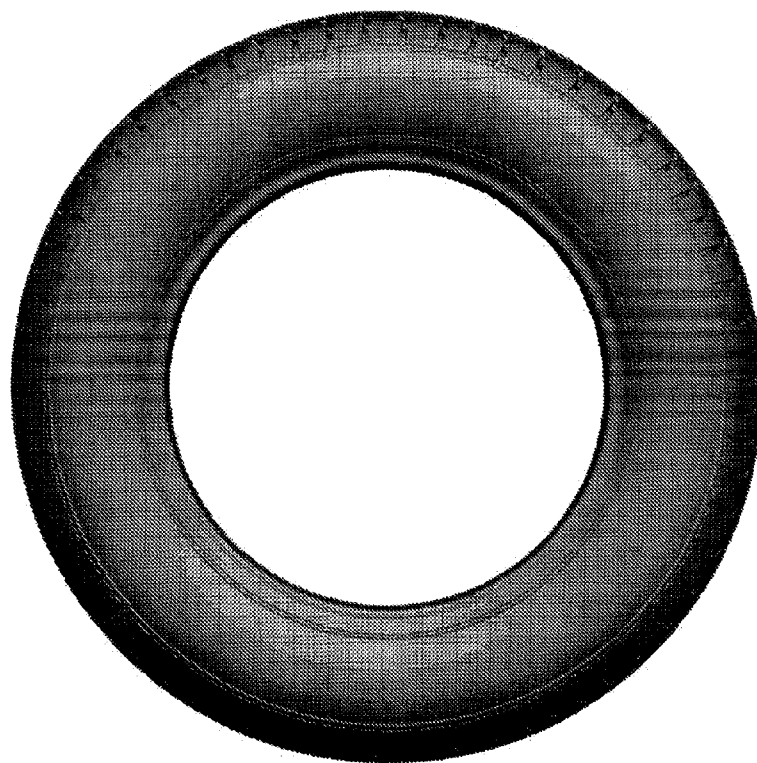


Fig. 2

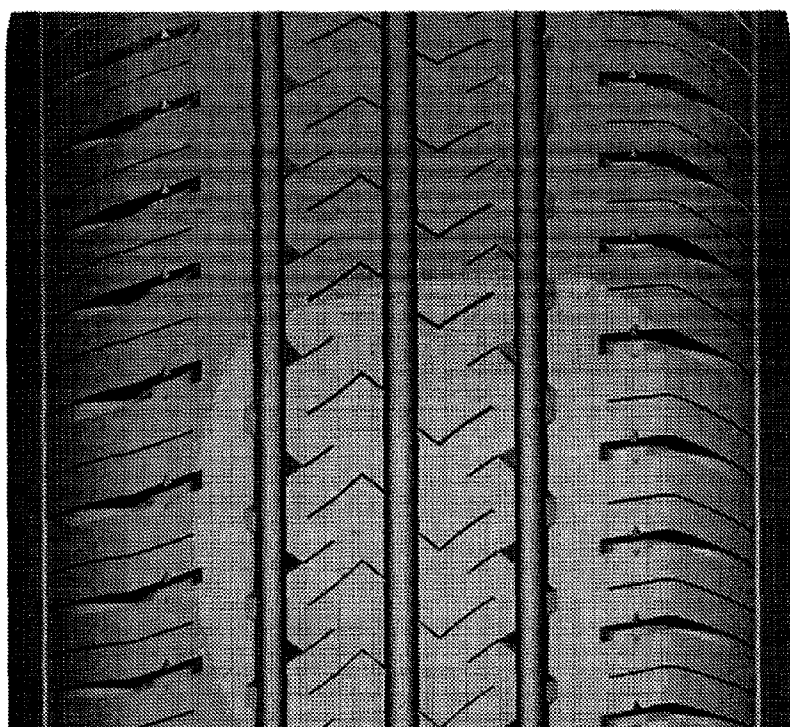


Fig. 3



Fig. 4

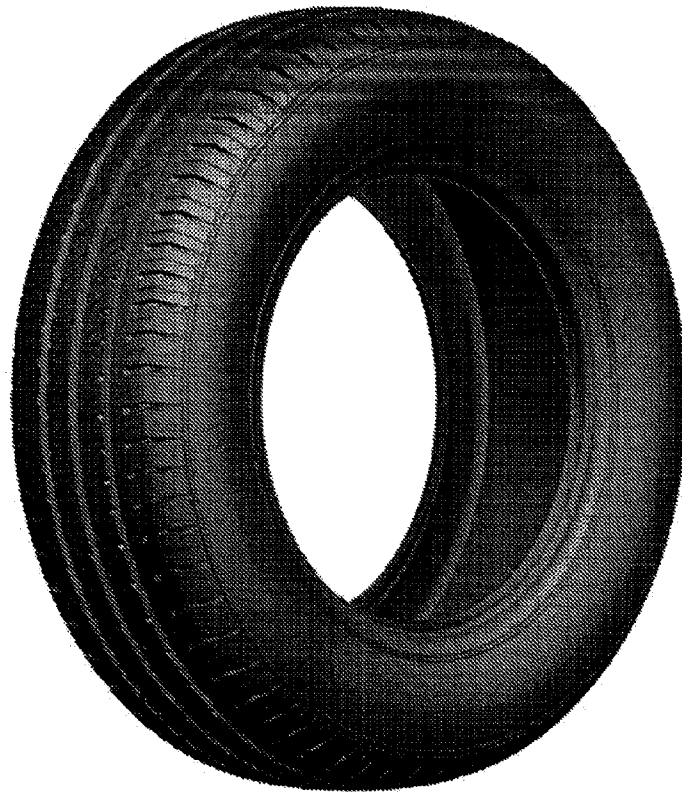


Fig. 5