

(19) World Intellectual Property Organization
International Bureau



(43) International Publication Date
14 May 2010 (14.05.2010)

PCT

(10) International Publication Number
WO 2010/053906 A3

- (51) International Patent Classification:
B23B 27/16 (2006.01) B23C 5/20 (2006.01)
B23B 27/14 (2006.01) B23C 5/22 (2006.01)
- (21) International Application Number:
PCT/US2009/063088
- (22) International Filing Date:
3 November 2009 (03.11.2009)
- (25) Filing Language: English
- (26) Publication Language: English
- (30) Priority Data:
12/266,282 6 November 2008 (06.11.2008) US
- (71) Applicant (for all designated States except US): **BAKER HUGHES INCORPORATED** [US/US]; P.O. Box 4740, Houston, TX 77210 (US).
- (72) Inventor; and
- (75) Inventor/Applicant (for US only): **LYONS, Nicholas, J.** [RO/US]; 9110 Grogans Mill Rd., The Woodlands, TX 77380 (US).
- (74) Agents: **WELBORN, Brian, S.** et al.; Baker Hughes Incorporated, Intellectual Property Counsel, P.O. Box 4740, Houston, TX 77210-4740 (US).
- (81) Designated States (unless otherwise indicated, for every kind of national protection available): AE, AG, AL, AM, AO, AT, AU, AZ, BA, BB, BG, BH, BR, BW, BY, BZ, CA, CH, CL, CN, CO, CR, CU, CZ, DE, DK, DM, DO, DZ, EC, EE, EG, ES, FI, GB, GD, GE, GH, GM, GT, HN, HR, HU, ID, IL, IN, IS, JP, KE, KG, KM, KN, KP, KR, KZ, LA, LC, LK, LR, LS, LT, LU, LY, MA, MD, ME, MG, MK, MN, MW, MX, MY, MZ, NA, NG, NI, NO, NZ, OM, PE, PG, PH, PL, PT, RO, RS, RU, SC, SD, SE, SG, SK, SL, SM, ST, SV, SY, TJ, TM, TN, TR, TT, TZ, UA, UG, US, UZ, VC, VN, ZA, ZM, ZW.
- (84) Designated States (unless otherwise indicated, for every kind of regional protection available): ARIPO (BW, GH, GM, KE, LS, MW, MZ, NA, SD, SL, SZ, TZ, UG, ZM, ZW), Eurasian (AM, AZ, BY, KG, KZ, MD, RU, TJ, TM), European (AT, BE, BG, CH, CY, CZ, DE, DK, EE, ES, FI, FR, GB, GR, HR, HU, IE, IS, IT, LT, LU, LV, MC, MK, MT, NL, NO, PL, PT, RO, SE, SI, SK, SM,

[Continued on next page]

(54) Title: EARTH-BORING TOOLS HAVING THREADS FOR AFFIXING A BODY AND SHANK TOGETHER AND METHODS OF MANUFACTURE AND USE OF SAME

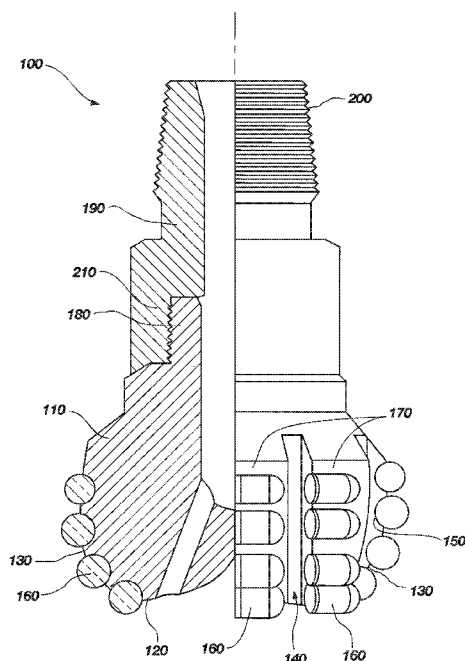


FIG. 1

(57) Abstract: Earth-boring tools comprise a shank comprising a distal connector including a set of threads thereon and a bit body comprising a shank connector, also comprising at least one set of threads thereon. The set of threads on the distal connector and the threads on the shank connector are at least substantially bound together. Methods of forming such earth-boring tools are also disclosed, as well as methods of securing a bit body of an earth-boring tool to a shank.



WO 2010/053906 A3



TR), OAPI (BF, BJ, CF, CG, CI, CM, GA, GN, GQ, GW, ML, MR, NE, SN, TD, TG). **Published:**

Declarations under Rule 4.17:

- *as to applicant's entitlement to apply for and be granted a patent (Rule 4.17(ii))*
- *as to the applicant's entitlement to claim the priority of the earlier application (Rule 4.17(iii))*

- *with international search report (Art. 21(3))*
- *before the expiration of the time limit for amending the claims and to be republished in the event of receipt of amendments (Rule 48.2(h))*

(88) Date of publication of the international search report:
22 July 2010

INTERNATIONAL SEARCH REPORT

International application No.
PCT/US2009/063088**A. CLASSIFICATION OF SUBJECT MATTER***B23B 27/16(2006.01)i, B23B 27/14(2006.01)i, B23C 5/20(2006.01)i, B23C 5/22(2006.01)i*

According to International Patent Classification (IPC) or to both national classification and IPC

B. FIELDS SEARCHED

Minimum documentation searched (classification system followed by classification symbols)

B23B 27/16; E21B 10/00; E21B 10/02; E21B 10/52

Documentation searched other than minimum documentation to the extent that such documents are included in the fields searched

Korean utility models and applications for utility models
Japanese utility models and applications for utility models

Electronic data base consulted during the international search (name of data base and, where practicable, search terms used)

eKOMPASS(KIPO internal) & Keywords: earth, boring, distal, connector.

C. DOCUMENTS CONSIDERED TO BE RELEVANT

Category*	Citation of document, with indication, where appropriate, of the relevant passages	Relevant to claim No.
A	US 2008/0099243 A1 (DAVID R. HALL et al.) 01 May 2008 See Paragraph [0007] - Paragraph [0008]; Claim 1; Figure 2.	1-24
A	US 6454030 B1 (SIDNEY L. FINDLEY et al.) 24 September 2002 See Column 6, Line 40 - Column 8, Line 26; Claim 1; Figure 1.	1-24
A	US 2008/0149393 A1 (ERIC E. MCCLAIN et al.) 26 June 2008 See Paragraph [0018] - Paragraph [0020]; Claim 1; Figures 1-4.	1-24

 Further documents are listed in the continuation of Box C. See patent family annex.

* Special categories of cited documents:

"A" document defining the general state of the art which is not considered to be of particular relevance

"E" earlier application or patent but published on or after the international filing date

"L" document which may throw doubts on priority claim(s) or which is cited to establish the publication date of citation or other special reason (as specified)

"O" document referring to an oral disclosure, use, exhibition or other means

"P" document published prior to the international filing date but later than the priority date claimed

"T" later document published after the international filing date or priority date and not in conflict with the application but cited to understand the principle or theory underlying the invention

"X" document of particular relevance; the claimed invention cannot be considered novel or cannot be considered to involve an inventive step when the document is taken alone

"Y" document of particular relevance; the claimed invention cannot be considered to involve an inventive step when the document is combined with one or more other such documents, such combination being obvious to a person skilled in the art

"&" document member of the same patent family

Date of the actual completion of the international search

31 MAY 2010 (31.05.2010)

Date of mailing of the international search report

31 MAY 2010 (31.05.2010)

Name and mailing address of the ISA/KR

Korean Intellectual Property Office
Government Complex-Daejeon, 139 Seonsa-ro, Seo-
gu, Daejeon 302-701, Republic of Korea

Facsimile No. 82-42-472-7140

Authorized officer

KIM, Jeong Rak

Telephone No. 82-42-481-5410



INTERNATIONAL SEARCH REPORT

Information on patent family members

International application No.

PCT/US2009/063088

Patent document cited in search report	Publication date	Patent family member(s)	Publication date
US 2008/0099243 A1	01.05.2008	None	
US 6454030 B1	24.09.2002	BE 1014464 A5 GB 2345930 A GB 2345930 B GB 2384262 A GB 2384263 A GB 2384264 A GB 2384265 A GB 9930843 D0 IT T020000066A1 IT 1319802 B1 US 2002/0175006 A1 US 6655481 B2	04.11.2003 26.07.2000 16.07.2003 23.07.2003 23.07.2003 23.07.2003 23.07.2003 16.02.2000 24.07.2001 03.11.2003 28.11.2002 02.12.2003
US 2008/0149393 A1	26.06.2008	CA 2480187 C CA 2480187-A1 CA 2560461-A1 CA 2623231-A1 CN 101310090 A CN 101310090 A CN 101310090 C0 EP 1926883 A1 GB 2405654 A GB 2419622 A GB 2422165 A GB 2427639 A GB 2429475 A GB 2433765 A GB 2434607 A US 2002/0092655 A1 US 2003/0066650 A1 US 2003/0098181 A1 US 2004/0069504 A1 US 2004/0112642 A1 US 2004/0124008 A1 US 2004/0206548 A1 US 2004/0256161 A1 US 2005/0039905 A1 US 2005/0098349 A1 US 2005/0183892 A1 US 2005/0194143 A1 US 2005/0274547 A1 US 2006/0065402 A9 US 2006/0070771 A1 US 2006/0124352 A1 US 2007/0007041 A1 US 2007/0045006 A1 US 2007/0068704 A1	18.11.2008 02.03.2005 13.10.2005 05.04.2007 19.11.2008 19.11.2008 19.11.2008 04.06.2008 09.03.2005 03.05.2006 19.07.2006 03.01.2007 28.02.2007 04.07.2007 01.08.2007 18.07.2002 10.04.2003 29.05.2003 15.04.2004 17.06.2004 01.07.2004 21.10.2004 23.12.2004 24.02.2005 12.05.2005 25.08.2005 08.09.2005 15.12.2005 30.03.2006 06.04.2006 15.06.2006 11.01.2007 01.03.2007 29.03.2007

INTERNATIONAL SEARCH REPORT

Information on patent family members

International application No.

PCT/US2009/063088

Patent document cited in search report	Publication date	Patent family member(s)	Publication date
		US 2007/0079995 A1	12.04.2007
		US 2008/0223575 A1	18.09.2008
		US 6415877 B1	09.07.2002
		US 6648081 B2	18.11.2003
		US 6854532 B2	15.02.2005
		US 6957698 B2	25.10.2005
		US 6981561 B2	03.01.2006
		US 7096975 B2	29.08.2006
		US 7114581 B2	03.10.2006
		US 7174975 B2	13.02.2007
		US 7178609 B2	20.02.2007
		US 7270185 B2	18.09.2007
		US 7316274 B2	08.01.2008
		US 7353887 B2	08.04.2008
		US 7395882 B2	08.07.2008
		US 7624818 B2	01.12.2009
		WO 2005/001237 A1	06.01.2005
		WO 2005/080742 A1	01.09.2005
		WO 2005/095751 A1	13.10.2005
		WO 2006/029379 A1	16.03.2006
		WO 2007/038208 A1	05.04.2007