



US00D589596S

(12) **United States Design Patent**
Painter et al.

(10) **Patent No.:** **US D589,596 S**

(45) **Date of Patent:** **** Mar. 31, 2009**

(54) **KITCHEN FAUCET**

(75) Inventors: **Michael J. Painter**, Reynoldsburg, OH (US); **Gary Uhl**, Fair Haven, NJ (US)

(73) Assignee: **AS IP Holdco, LLC**, Boston, MA (US)

(**) Term: **14 Years**

(21) Appl. No.: **29/279,693**

(22) Filed: **May 4, 2007**

(51) **LOC (9) Cl.** **23-01**

(52) **U.S. Cl.** **D23/240**

(58) **Field of Classification Search** D23/200,
D23/238-257; D6/512, 546, 550; D8/300,
D8/307-308, 310-312, 321; 4/675-678;
137/801; 16/110.1, 441

See application file for complete search history.

(56) **References Cited**

U.S. PATENT DOCUMENTS

D387,133 S *	12/1997	Donahue et al.	D23/242
D438,289 S *	2/2001	Mark et al.	D23/242
D470,916 S *	2/2003	Friedrich	D23/238
D515,180 S *	2/2006	Ouyoung	D23/239
D517,654 S *	3/2006	Chu	D23/239
D520,600 S *	5/2006	Spangler	D23/238
D521,601 S *	5/2006	Uhl	D23/240

D524,913 S *	7/2006	Chu et al.	D23/239
D533,635 S *	12/2006	Chu et al.	D23/239
D568,443 S *	5/2008	Urquiola	D23/240

* cited by examiner

Primary Examiner—Robert A. Delehanty

Assistant Examiner—Mark Cavanna

(74) *Attorney, Agent, or Firm*—Frommer Lawrence and Haug LLP; Paul A. Levy

(57) **CLAIM**

The ornamental design for kitchen faucet, as shown and described.

DESCRIPTION

FIG. 1 is a left side view of the kitchen faucet of my invention;

FIG. 2 is a right side view;

FIG. 3 is a front view;

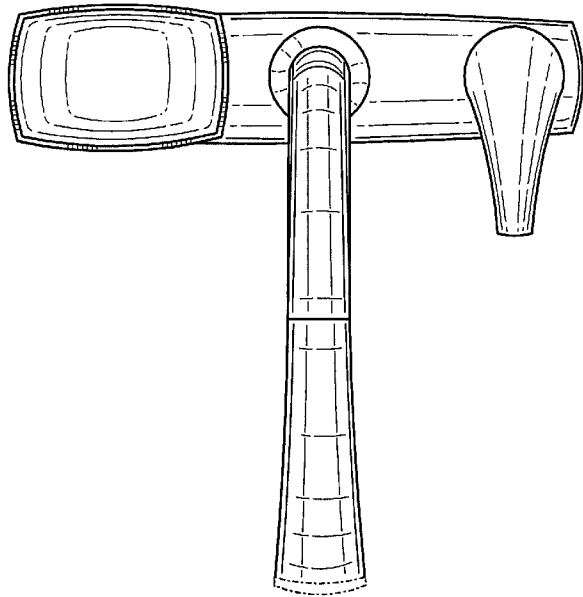
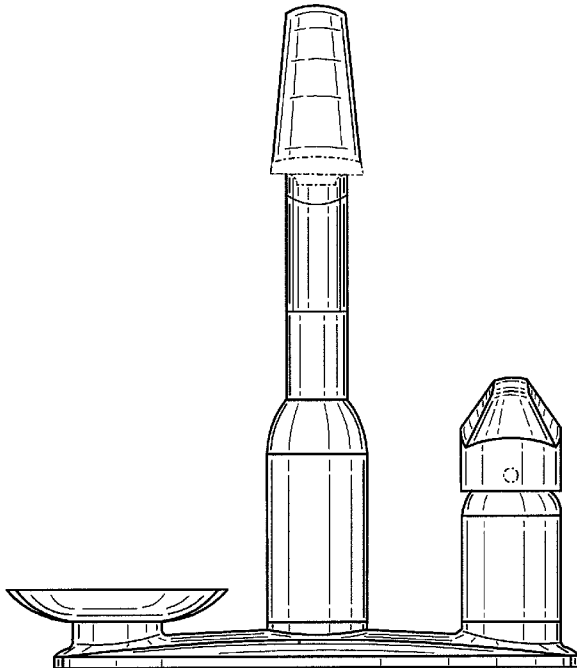
FIG. 4 is a rear view;

FIG. 5 is a top view; and,

FIG. 6 is a bottom view.

The broken lines are included for the purpose of illustrating a portion of the kitchen faucet that forms no part of the claimed design.

1 Claim, 6 Drawing Sheets



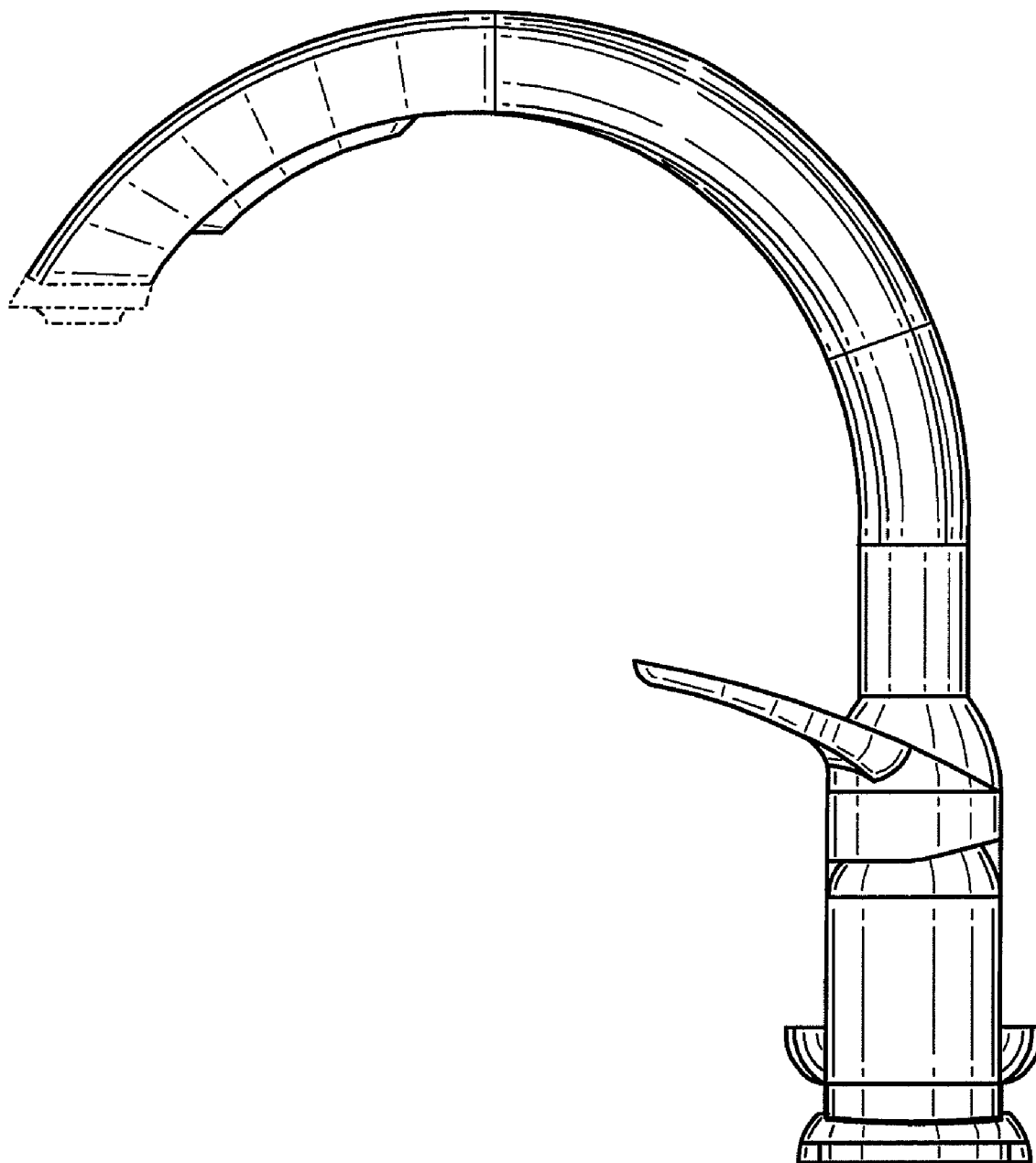


FIG. 1

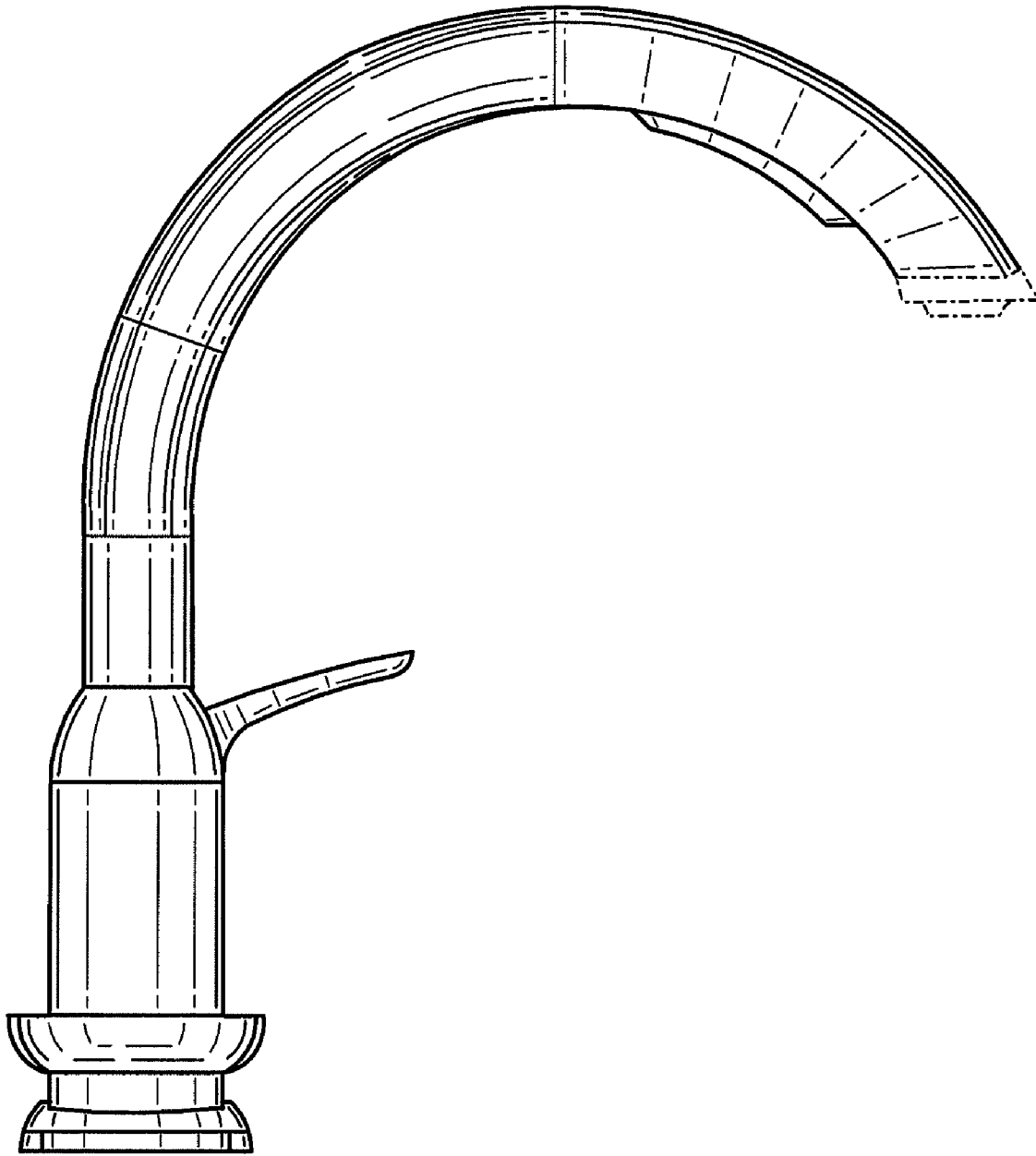


FIG. 2

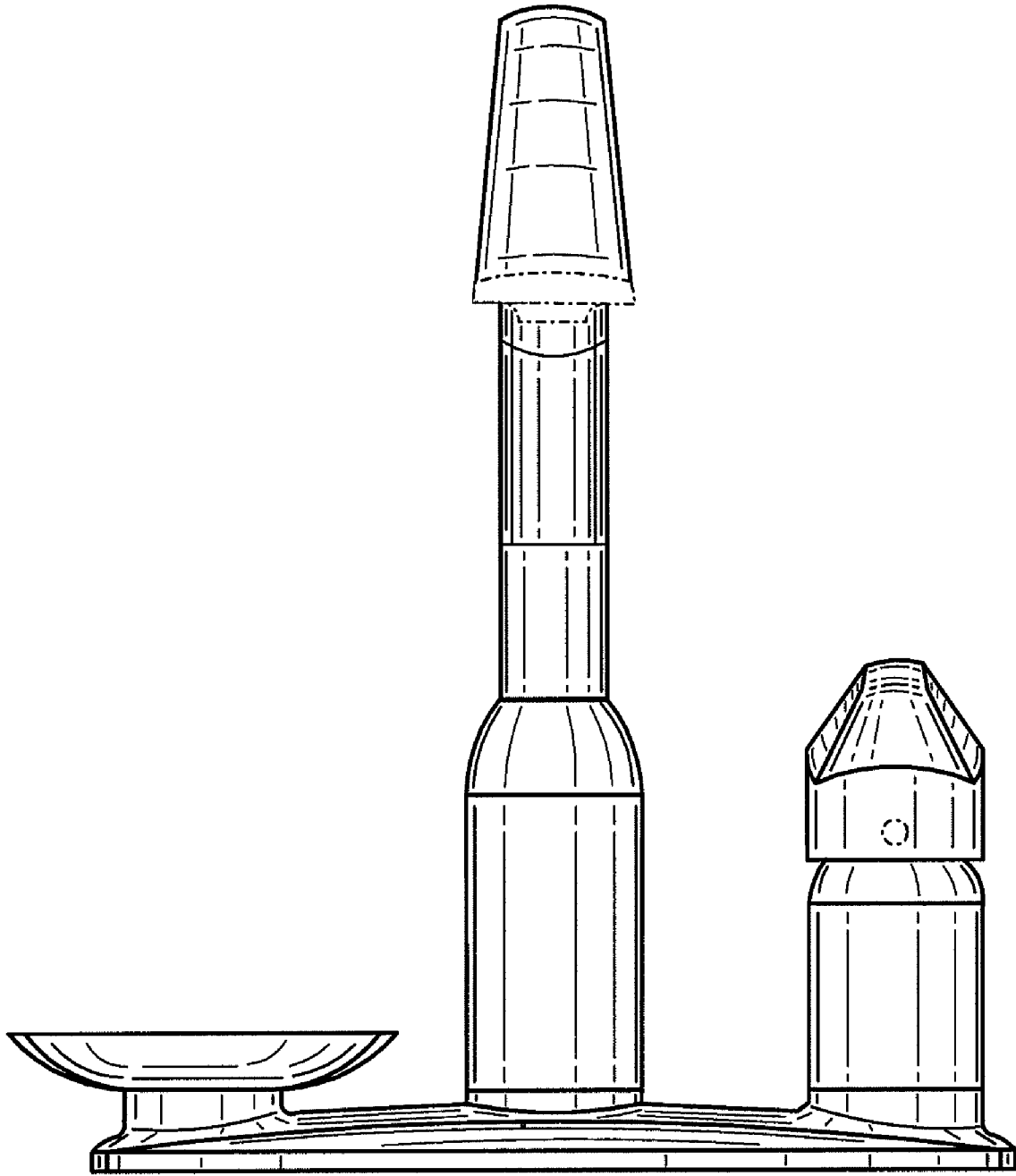


FIG. 3

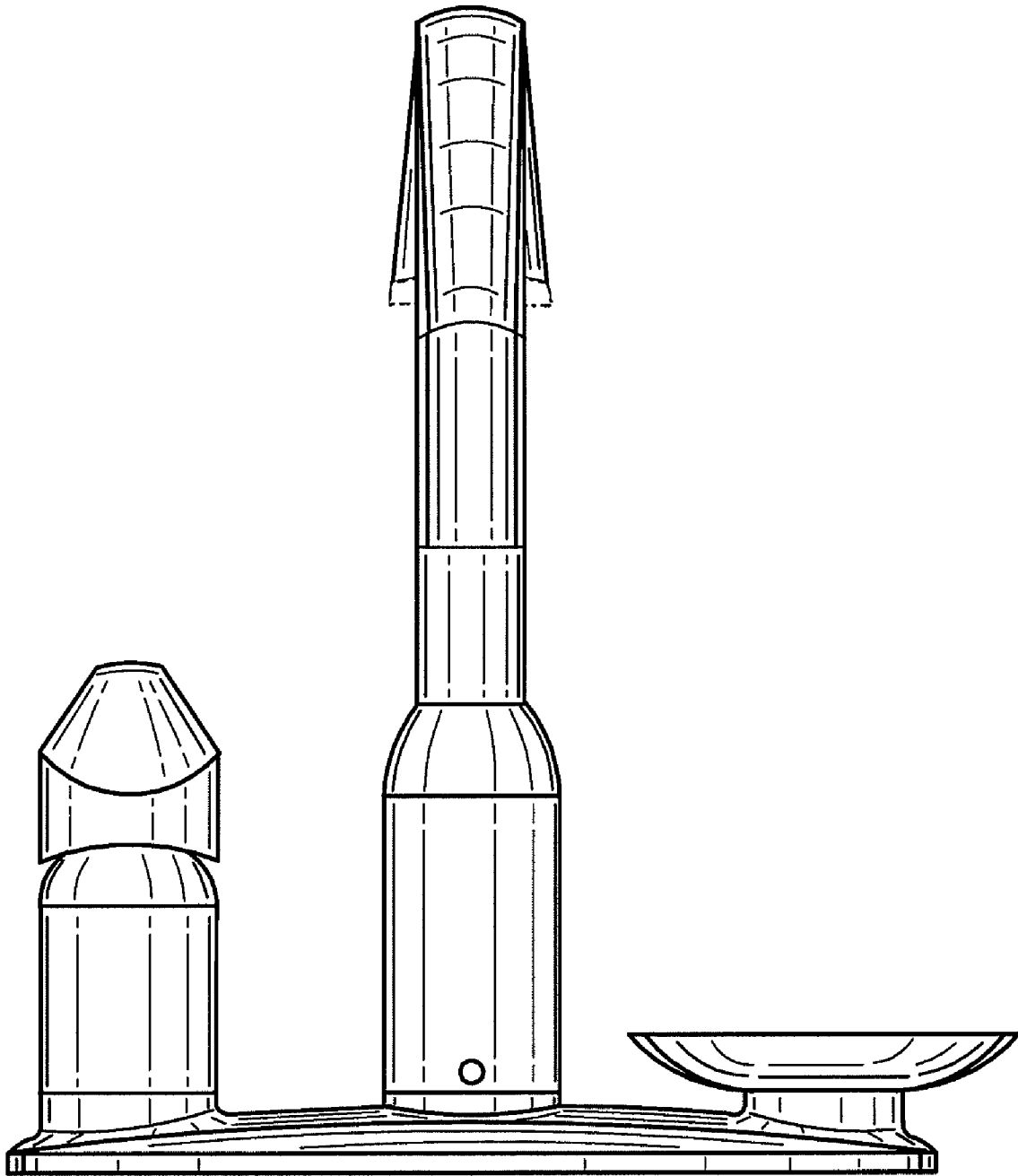


FIG. 4

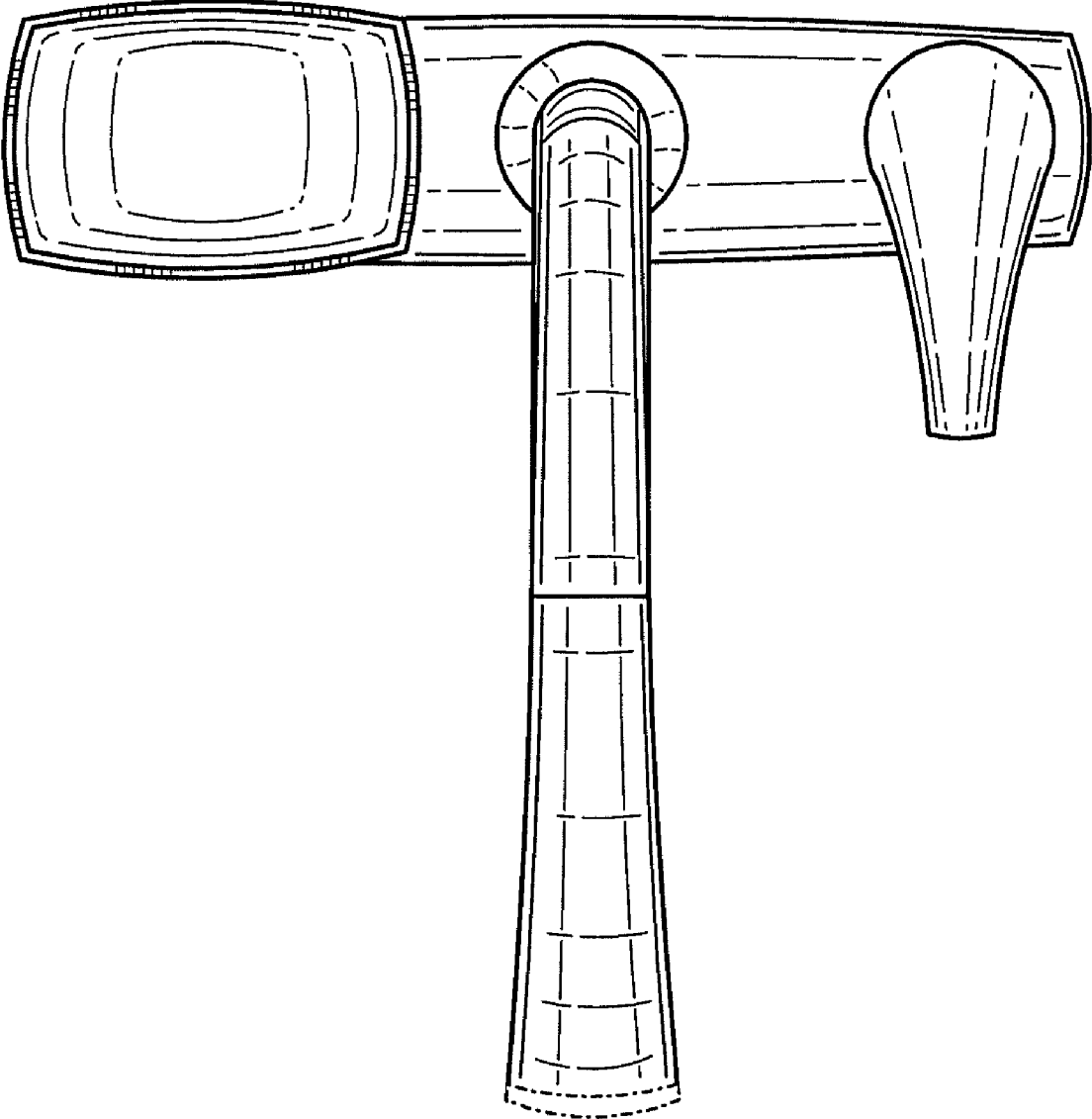


FIG. 5

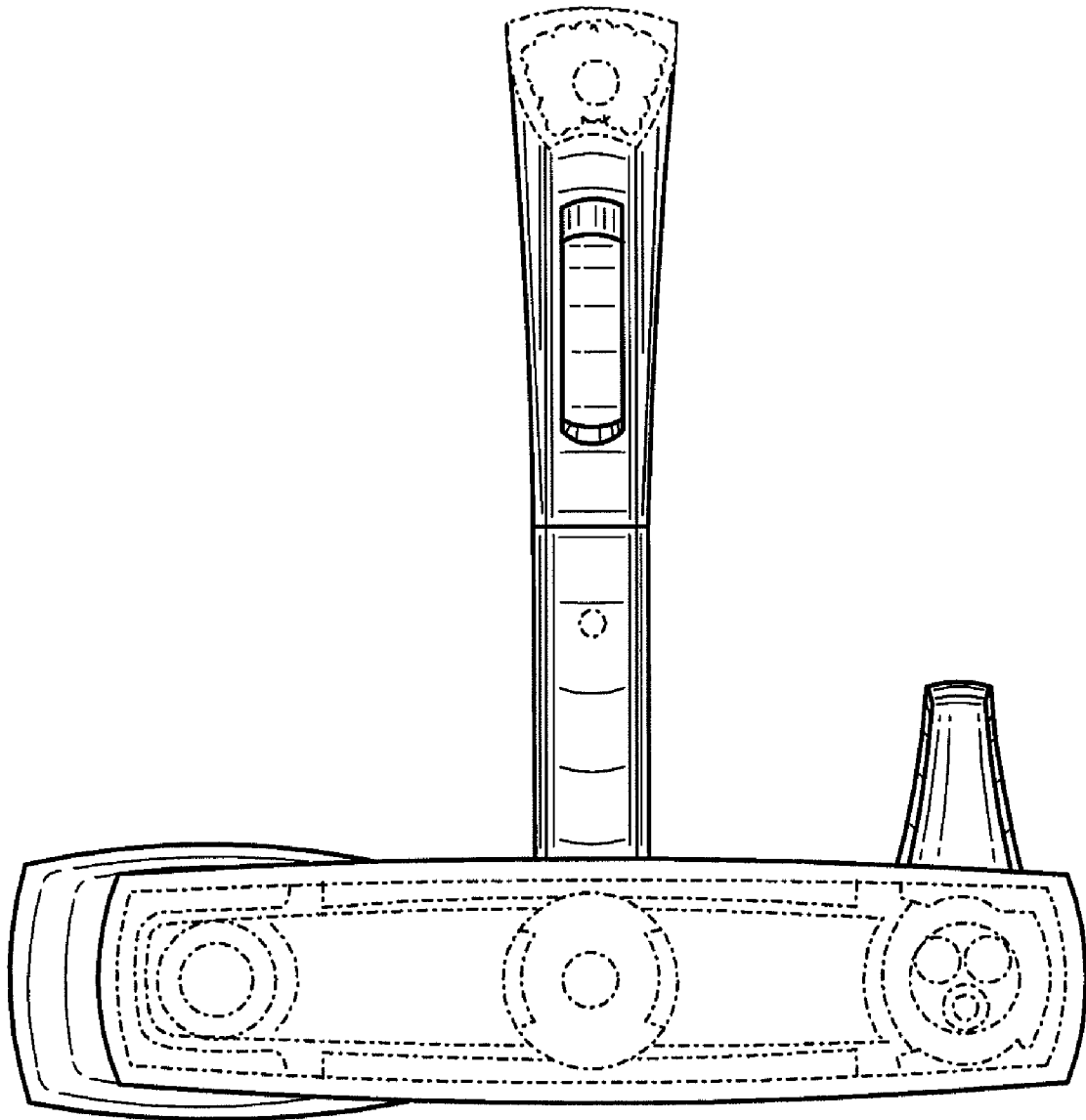


FIG. 6