



US00D539127S

(12) **United States Design Patent**  
**Ly Hau et al.**

(10) **Patent No.:** **US D539,127 S**

(45) **Date of Patent:** **\*\* Mar. 27, 2007**

(54) **EXTRA-LARGE CANTILEVER MOUNT FOR A FLAT PANEL DISPLAY**

D494,596 S \* 8/2004 Pfister ..... D14/451  
2003/0201372 A1 \* 10/2003 Dozier ..... 248/286.1

(75) Inventors: **Flavio Ly Hau**, Tempe, AZ (US); **Brett Stenhouse**, Phoenix, AZ (US); **Zachary Eyman**, Phoenix, AZ (US); **Korry Hoglan**, Phoenix, AZ (US); **David Anderson**, Mesa, AZ (US); **Tom Muday**, Scottsdale, AZ (US); **Vivek Jayaprakasan**, Tempe, AZ (US)

\* cited by examiner

*Primary Examiner*—Holly H. Baynham  
(74) *Attorney, Agent, or Firm*—Hogan & Hartson LLP

(73) Assignee: **Omnimount Systems, Inc.**, Phoenix, AZ (US)

(57) **CLAIM**

The ornamental design for an extra-large cantilever mount for a flat panel display, as shown and described.

(\*\*) Term: **14 Years**

**DESCRIPTION**

(21) Appl. No.: **29/235,668**

FIG. 1 is a top, right isometric view of an embodiment of an extra-large cantilever mount for a flat panel display showing our design.

(22) Filed: **Aug. 3, 2005**

FIG. 2 is a front elevational view thereof.

(51) **LOC (8) Cl.** ..... **08-05**

(52) **U.S. Cl.** ..... **D8/373**

(58) **Field of Classification Search** ..... D8/363,  
D8/373, 380; D14/214, 224, 451-452; 403/83;  
248/309.1, 280.11, 279.1, 284.1, 286.1

FIG. 3 is a rear elevational view thereof.

FIG. 4 is a right-side elevational view thereof; the left-side elevational view is a mirror image of FIG. 4; and,

FIG. 5 is a top plan view thereof; the bottom plan view is a mirror image of FIG. 5.

See application file for complete search history.

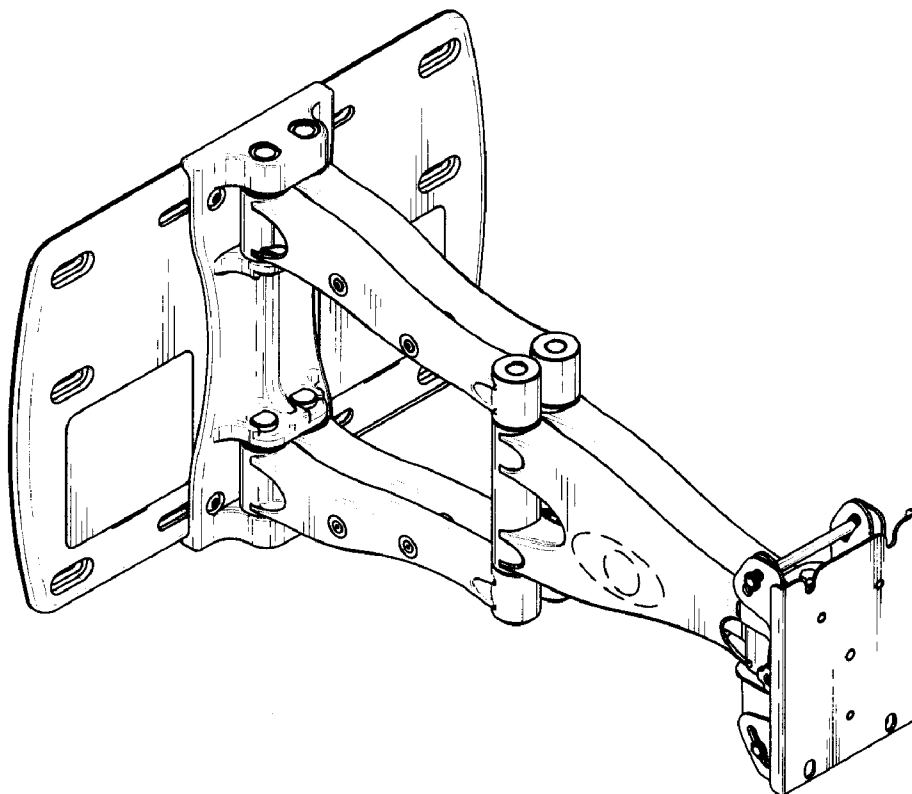
Elements identified in broken lines in the accompanying drawings form no part of the claimed invention.

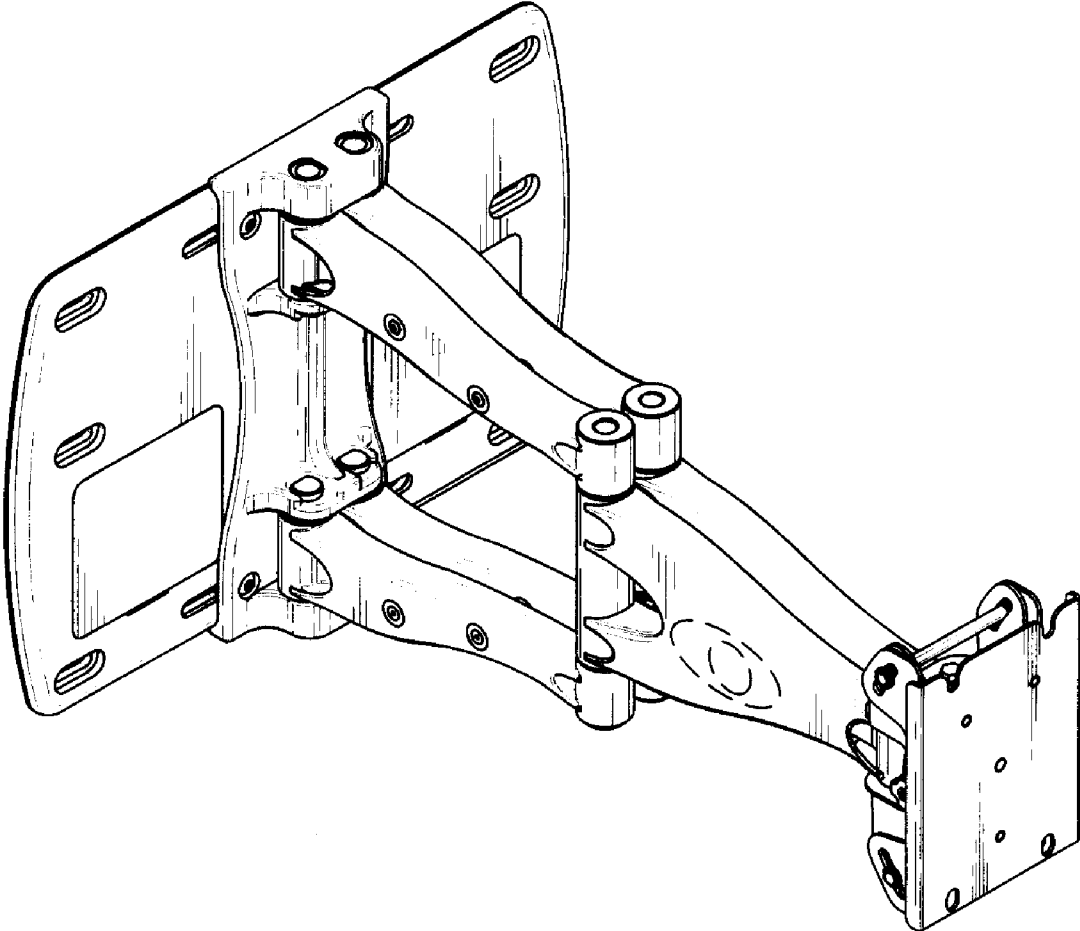
(56) **References Cited**

U.S. PATENT DOCUMENTS

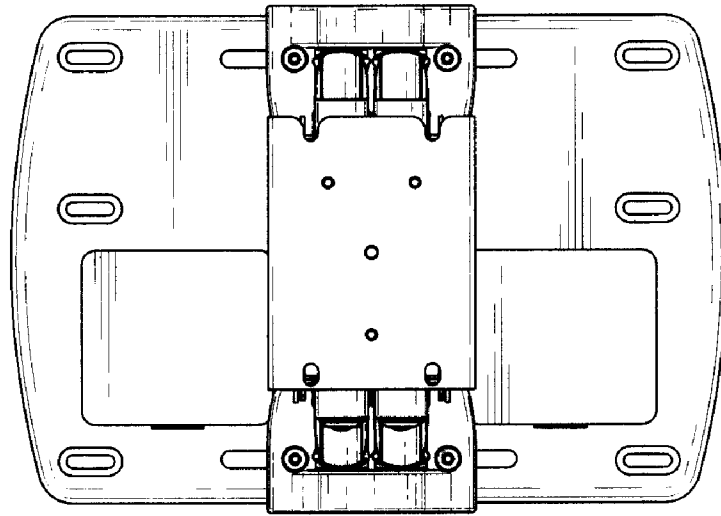
D493,800 S \* 8/2004 Pfister et al. .... D14/451

**1 Claim, 3 Drawing Sheets**

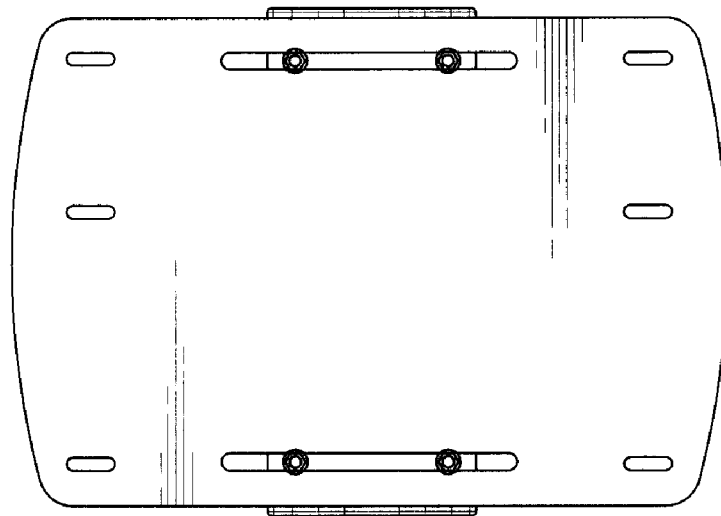




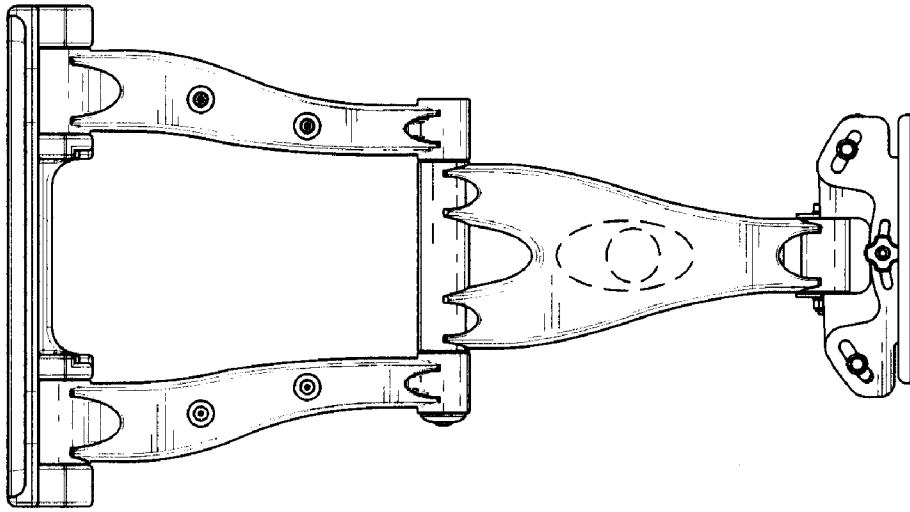
*Fig. 1*



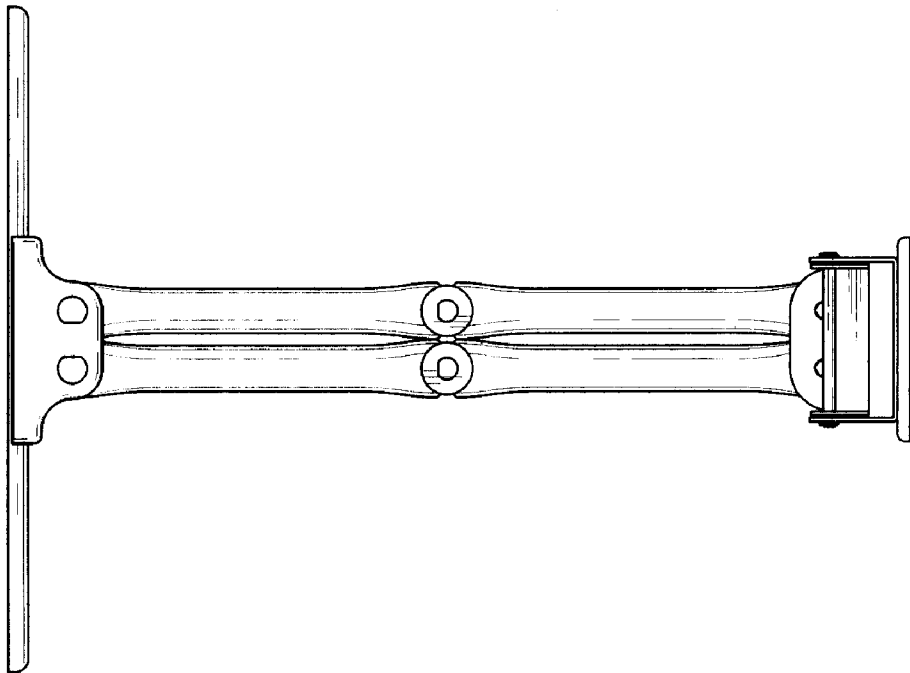
*Fig. 2*



*Fig. 3*



*Fig. 4*



*Fig. 5*