

(19) World Intellectual Property Organization
International Bureau



(43) International Publication Date
2 October 2008 (02.10.2008)

PCT

(10) International Publication Number
WO 2008/118907 A3

(51) International Patent Classification:
A61B 17/70 (2006.01)

(74) Agent: CASTELLANO, Kristina; P.O. Box 1555, Great Falls, Virginia 22066 (US).

(21) International Application Number:
PCT/US2008/058126

(81) Designated States (unless otherwise indicated, for every kind of national protection available): AE, AG, AL, AM, AO, AT, AU, AZ, BA, BB, BG, BH, BR, BW, BY, BZ, CA, CH, CN, CO, CR, CU, CZ, DE, DK, DM, DO, DZ, EC, EE, EG, ES, FI, GB, GD, GE, GH, GM, GT, HN, HR, HU, ID, IL, IN, IS, JP, KE, KG, KM, KN, KP, KR, KZ, LA, LC, LK, LR, LS, LT, LU, LY, MA, MD, ME, MG, MK, MN, MW, MX, MY, MZ, NA, NG, NI, NO, NZ, OM, PG, PH, PL, PT, RO, RS, RU, SC, SD, SE, SG, SK, SL, SM, SV, SY, TJ, TM, TN, TR, TT, TZ, UA, UG, US, UZ, VC, VN, ZA, ZM, ZW.

(22) International Filing Date: 25 March 2008 (25.03.2008)

(25) Filing Language: English

(26) Publication Language: English

(30) Priority Data:
11/691,357 26 March 2007 (26.03.2007) US

(71) Applicant (for all designated States except US): GLOBUS MEDICAL, INC. [US/US]; Valley Forge Business Center, 2560 General Armistead Avenue, Audubon, Pennsylvania 19403 (US).

(84) Designated States (unless otherwise indicated, for every kind of regional protection available): ARIPO (BW, GH, GM, KE, LS, MW, MZ, NA, SD, SL, SZ, TZ, UG, ZM, ZW), Eurasian (AM, AZ, BY, KG, KZ, MD, RU, TJ, TM), European (AT, BE, BG, CH, CY, CZ, DE, DK, EE, ES, FI, FR, GB, GR, HR, HU, IE, IS, IT, LT, LU, LV, MC, MT, NL, NO, PL, PT, RO, SE, SI, SK, TR), OAPI (BF, BJ, CF, CG, CI, CM, GA, GN, GQ, GW, ML, MR, NE, SN, TD, TG).

(72) Inventors; and

(75) Inventors/Applicants (for US only): SEIFERT, Jody, L. [US/US]; 5 Spring Drive, Birdsboro, Pennsylvania 19508 (US). PIMENTA, Luiz [BR/BR]; Rua borges lagoa 783, 04038-031 Sao Paulo (BR). BOYER, Michael, L., II [US/US]; 811 Egypt Road, Phoenixville, Pennsylvania 19460 (US). PAUL, David, C. [US/US]; 405 Greene Lane, Phoenixville, Pennsylvania 19460 (US).

Published:
— with international search report

(88) Date of publication of the international search report:
20 November 2008

(54) Title: LATERAL SPINOUS PROCESS SPACER

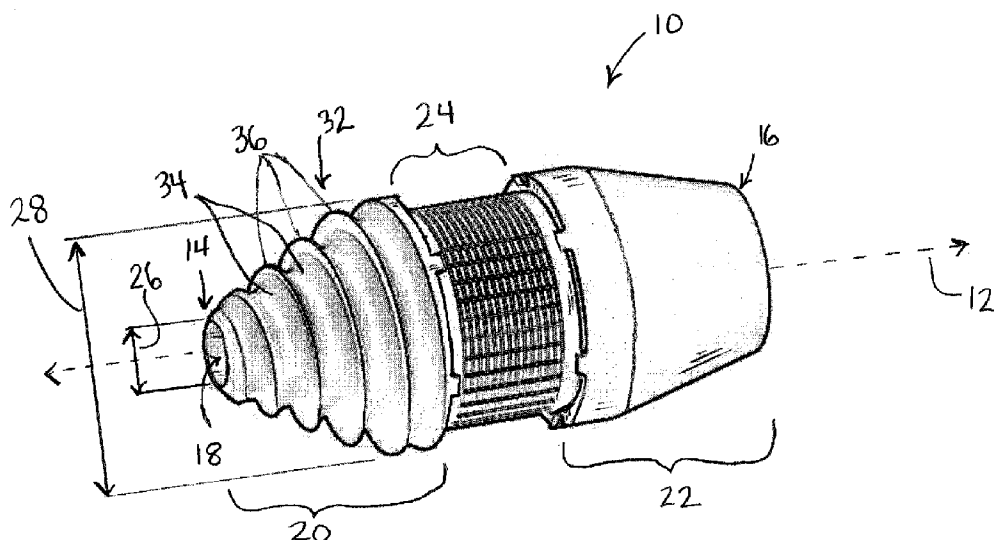


FIG. 1

(57) Abstract: Interspinous process implants are disclosed. Also disclosed are systems and kits including such implants, methods of inserting such implants, and methods of alleviating pain or discomfort associated with the spinal column.

WO 2008/118907 A3

INTERNATIONAL SEARCH REPORT

International application No.

PCT/US 08/58126

A. CLASSIFICATION OF SUBJECT MATTER

IPC(8) - A61B 17/70 (2008.04)

USPC - 606/248

According to International Patent Classification (IPC) or to both national classification and IPC

B. FIELDS SEARCHED

Minimum documentation searched (classification system followed by classification symbols)

IPC(8): A61B 17/70 (2008.04)

USPC - 606/248

Documentation searched other than minimum documentation to the extent that such documents are included in the fields searched

USPC - 606/248, 279, 86A, 914, 246, \$

Search Terms Below

Electronic data base consulted during the international search (name of data base and, where practicable, search terms used)

PubWEST (USPT, PGPB, EPAB, JPAB); google.com

Search Terms Used: spine, spinal, prosthetic, prosthesis, spacer, PEEK, titanium, cannulated, lateral, axis, projections, axis, support, vertebral, spacing, tapered, frustoconical

C. DOCUMENTS CONSIDERED TO BE RELEVANT

Category*	Citation of document, with indication, where appropriate, of the relevant passages	Relevant to claim No.
Y	US 2006/0111715 A1 (Jackson) 25 May 2006 (25.05.2006), entire document, especially Abstract; para [0016]; [0019]; [0045]; [0082]; [0085]-[0089]; [0092]	1-28
Y	US 2007/0032790 A1 (Aschmann, et al.) 08 February 2002 (08.02.2002) entire document, especially Abstract, para [0056]	1-28
Y	US 6,673,075 B2 (Santilli) 06 January 2004 (06.01.2004), entire document, especially Abstract, col 3, ln 6-16	3, 10

 Further documents are listed in the continuation of Box C.


* Special categories of cited documents:

"A" document defining the general state of the art which is not considered to be of particular relevance

"E" earlier application or patent but published on or after the international filing date

"L" document which may throw doubts on priority claim(s) or which is cited to establish the publication date of another citation or other special reason (as specified)

"O" document referring to an oral disclosure, use, exhibition or other means

"P" document published prior to the international filing date but later than the priority date claimed

"T" later document published after the international filing date or priority date and not in conflict with the application but cited to understand the principle or theory underlying the invention

"X" document of particular relevance; the claimed invention cannot be considered novel or cannot be considered to involve an inventive step when the document is taken alone

"Y" document of particular relevance; the claimed invention cannot be considered to involve an inventive step when the document is combined with one or more other such documents, such combination being obvious to a person skilled in the art

"&" document member of the same patent family

Date of the actual completion of the international search

27 August 2008 (27.08.2008)

Date of mailing of the international search report

05 SEP 2008

Name and mailing address of the ISA/US

Mail Stop PCT, Attn: ISA/US, Commissioner for Patents
P.O. Box 1450, Alexandria, Virginia 22313-1450

Facsimile No. 571-273-3201

Authorized officer:

Lee W. Young

PCT Helpdesk: 571-272-4300
PCT OSP: 571-272-7774