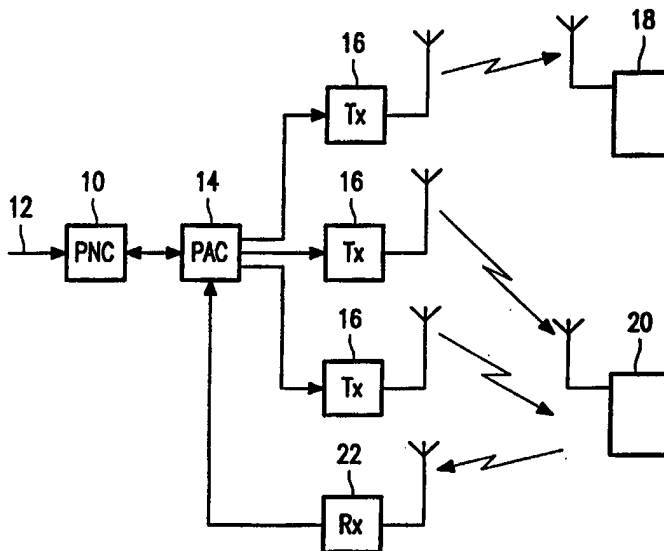




INTERNATIONAL APPLICATION PUBLISHED UNDER THE PATENT COOPERATION TREATY (PCT)

<p>(51) International Patent Classification <sup>6</sup> : <b>H04Q 7/12</b></p>	<p><b>A3</b></p>	<p>(11) International Publication Number: <b>WO 98/31170</b> (43) International Publication Date: 16 July 1998 (16.07.98)</p>
<p>(21) International Application Number: PCT/IB98/00010 (22) International Filing Date: 7 January 1998 (07.01.98) (30) Priority Data: 9700357.8 9 January 1997 (09.01.97) GB (71) Applicant: KONINKLIJKE PHILIPS ELECTRONICS N.V. [NL/NL]; Groenewoudseweg 1, NL - 5621 BA Eindhoven (NL). (71) Applicant (for SE only): PHILIPS NORDEN AB [SE/SE]; Kottbygatan 7, Kista, S-164 85 Stockholm (SE). (72) Inventor: BELL, John, Richardson; Prof. Holstlaan 6, NL-5656 AA Eindhoven (NL). (74) Agent: MOODY, Colin, J.; Internationaal Octrooibureau B.V., P.O. Box 220, NL-5600 AE Eindhoven (NL).</p>		<p>(81) Designated States: CN, JP, KR, SG, European patent (AT, BE, CH, DE, DK, ES, FI, FR, GB, GR, IE, IT, LU, MC, NL, PT, SE).  <b>Published</b> <i>With international search report. Before the expiration of the time limit for amending the claims and to be republished in the event of the receipt of amendments.</i>  (88) Date of publication of the international search report: 17 September 1998 (17.09.98)</p>

(54) Title: METHOD OF, AND SYSTEM FOR, TRANSMITTING MESSAGES



(57) Abstract

A message transmission system comprising at least one primary station (10, 14, 16, 22) having means for making transmissions on a down-link and a plurality of secondary stations (18, 20) having means for making transmissions on an up-link in response to an invitation issued by the primary station on the down-link. Each of the secondary stations has means for generating responses to messages as pseudo-random data sequences. The generation of these responses commences at an integer multiple of a unit time period after a time reference determined with respect to the invitation signal. A secondary station may wish to transmit a second or a further response signal associated with the originally received message and for which no invitation is issued. Said second or further response signal is transmitted at a point in time which is another integer multiple of the unit time period after the said time reference.

**FOR THE PURPOSES OF INFORMATION ONLY**

Codes used to identify States party to the PCT on the front pages of pamphlets publishing international applications under the PCT.

<b>AL</b>	Albania	<b>ES</b>	Spain	<b>LS</b>	Lesotho	<b>SI</b>	Slovenia
<b>AM</b>	Armenia	<b>FI</b>	Finland	<b>LT</b>	Lithuania	<b>SK</b>	Slovakia
<b>AT</b>	Austria	<b>FR</b>	France	<b>LU</b>	Luxembourg	<b>SN</b>	Senegal
<b>AU</b>	Australia	<b>GA</b>	Gabon	<b>LV</b>	Latvia	<b>SZ</b>	Swaziland
<b>AZ</b>	Azerbaijan	<b>GB</b>	United Kingdom	<b>MC</b>	Monaco	<b>TD</b>	Chad
<b>BA</b>	Bosnia and Herzegovina	<b>GE</b>	Georgia	<b>MD</b>	Republic of Moldova	<b>TG</b>	Togo
<b>BB</b>	Barbados	<b>GH</b>	Ghana	<b>MG</b>	Madagascar	<b>TJ</b>	Tajikistan
<b>BE</b>	Belgium	<b>GN</b>	Guinea	<b>MK</b>	The former Yugoslav Republic of Macedonia	<b>TM</b>	Turkmenistan
<b>BF</b>	Burkina Faso	<b>GR</b>	Greece			<b>TR</b>	Turkey
<b>BG</b>	Bulgaria	<b>HU</b>	Hungary	<b>ML</b>	Mali	<b>TT</b>	Trinidad and Tobago
<b>BJ</b>	Benin	<b>IE</b>	Ireland	<b>MN</b>	Mongolia	<b>UA</b>	Ukraine
<b>BR</b>	Brazil	<b>IL</b>	Israel	<b>MR</b>	Mauritania	<b>UG</b>	Uganda
<b>BY</b>	Belarus	<b>IS</b>	Iceland	<b>MW</b>	Malawi	<b>US</b>	United States of America
<b>CA</b>	Canada	<b>IT</b>	Italy	<b>MX</b>	Mexico	<b>UZ</b>	Uzbekistan
<b>CF</b>	Central African Republic	<b>JP</b>	Japan	<b>NE</b>	Niger	<b>VN</b>	Viet Nam
<b>CG</b>	Congo	<b>KE</b>	Kenya	<b>NL</b>	Netherlands	<b>YU</b>	Yugoslavia
<b>CH</b>	Switzerland	<b>KG</b>	Kyrgyzstan	<b>NO</b>	Norway	<b>ZW</b>	Zimbabwe
<b>CI</b>	Côte d'Ivoire	<b>KP</b>	Democratic People's Republic of Korea	<b>NZ</b>	New Zealand		
<b>CM</b>	Cameroon		Republic of Korea	<b>PL</b>	Poland		
<b>CN</b>	China	<b>KR</b>	Republic of Korea	<b>PT</b>	Portugal		
<b>CU</b>	Cuba	<b>KZ</b>	Kazakstan	<b>RO</b>	Romania		
<b>CZ</b>	Czech Republic	<b>LC</b>	Saint Lucia	<b>RU</b>	Russian Federation		
<b>DE</b>	Germany	<b>LI</b>	Liechtenstein	<b>SD</b>	Sudan		
<b>DK</b>	Denmark	<b>LK</b>	Sri Lanka	<b>SE</b>	Sweden		
<b>EE</b>	Estonia	<b>LR</b>	Liberia	<b>SG</b>	Singapore		

# INTERNATIONAL SEARCH REPORT

International application No.

**PCT/IB 98/00010**

<b>A. CLASSIFICATION OF SUBJECT MATTER</b>				
<b>IPC6: H04Q 7/12</b> According to International Patent Classification (IPC) or to both national classification and IPC				
<b>B. FIELDS SEARCHED</b>				
Minimum documentation searched (classification system followed by classification symbols)				
<b>IPC6: H04Q</b>				
Documentation searched other than minimum documentation to the extent that such documents are included in the fields searched				
<b>SE,DK,FI,NO classes as above</b>				
Electronic data base consulted during the international search (name of data base and, where practicable, search terms used)				
<b>C. DOCUMENTS CONSIDERED TO BE RELEVANT</b>				
Category*	Citation of document, with indication, where appropriate, of the relevant passages	Relevant to claim No.		
X	US 4882579 A (K. SIWIAK), 21 November 1989 (21.11.89), column 6, line 41 - line 54; column 8, line 49 - line 65, figures 4D, 4E, abstract	1,5,9		
Y	--	2-4,7-8,10,11		
Y	US 5124697 A (M.MOORE), 23 June 1992 (23.06.92), column 1, line 6 - line 10; column 3, line 4 - line 9, abstract	2-4,7-8,10,11		
	--			
<input checked="" type="checkbox"/> Further documents are listed in the continuation of Box C. <input checked="" type="checkbox"/> See patent family annex.				
<table style="width: 100%; border: none;"> <tr> <td style="width: 50%; border: none; vertical-align: top;">                     * Special categories of cited documents:                      "A" document defining the general state of the art which is not considered to be of particular relevance                      "E" earlier document but published on or after the international filing date                      "L" document which may throw doubts on priority claim(s) or which is cited to establish the publication date of another citation or other special reason (as specified)                      "O" document referring to an oral disclosure, use, exhibition or other means                      "P" document published prior to the international filing date but later than the priority date claimed                 </td> <td style="width: 50%; border: none; vertical-align: top;">                     "T" later document published after the international filing date or priority date and not in conflict with the application but cited to understand the principle or theory underlying the invention                      "X" document of particular relevance: the claimed invention cannot be considered novel or cannot be considered to involve an inventive step when the document is taken alone                      "Y" document of particular relevance: the claimed invention cannot be considered to involve an inventive step when the document is combined with one or more other such documents, such combination being obvious to a person skilled in the art                      "&amp;" document member of the same patent family                 </td> </tr> </table>			* Special categories of cited documents: "A" document defining the general state of the art which is not considered to be of particular relevance "E" earlier document but published on or after the international filing date "L" document which may throw doubts on priority claim(s) or which is cited to establish the publication date of another citation or other special reason (as specified) "O" document referring to an oral disclosure, use, exhibition or other means "P" document published prior to the international filing date but later than the priority date claimed	"T" later document published after the international filing date or priority date and not in conflict with the application but cited to understand the principle or theory underlying the invention "X" document of particular relevance: the claimed invention cannot be considered novel or cannot be considered to involve an inventive step when the document is taken alone "Y" document of particular relevance: the claimed invention cannot be considered to involve an inventive step when the document is combined with one or more other such documents, such combination being obvious to a person skilled in the art "&" document member of the same patent family
* Special categories of cited documents: "A" document defining the general state of the art which is not considered to be of particular relevance "E" earlier document but published on or after the international filing date "L" document which may throw doubts on priority claim(s) or which is cited to establish the publication date of another citation or other special reason (as specified) "O" document referring to an oral disclosure, use, exhibition or other means "P" document published prior to the international filing date but later than the priority date claimed	"T" later document published after the international filing date or priority date and not in conflict with the application but cited to understand the principle or theory underlying the invention "X" document of particular relevance: the claimed invention cannot be considered novel or cannot be considered to involve an inventive step when the document is taken alone "Y" document of particular relevance: the claimed invention cannot be considered to involve an inventive step when the document is combined with one or more other such documents, such combination being obvious to a person skilled in the art "&" document member of the same patent family			
Date of the actual completion of the international search		Date of mailing of the international search report		
<b>16 July 1998</b>		<b>21 -07- 1998</b>		
Name and mailing address of the ISA/ Swedish Patent Office Box 5055, S-102 42 STOCKHOLM Facsimile No. +46 8 666 02 86		Authorized officer  <b>Per Källquist</b> Telephone No. +46 8 782 25 00		

## INTERNATIONAL SEARCH REPORT

International application No.

PCT/IB 98/00010

C (Continuation). DOCUMENTS CONSIDERED TO BE RELEVANT		
Category*	Citation of document, with indication, where appropriate, of the relevant passages	Relevant to claim No.
X	EP 0501717 A2 (NEC CORPORATION), 2 Sept 1992 (02.09.92), column 8, line 15 - line 21, figure 1, abstract	1,5,9
A	--	2-4,7-8,10, 11
X	WO 9102435 A1 (AT&T CORPORATION), 21 February 1991 (21.02.91), page 4, line 1 - line 7; page 11, line 19 - page 12, line 14, claim 1, abstract	1,5,9
A	--	2-4,7-8,10, 11
A	US 4814763 A (L.E. NELSON ET AL), 21 March 1989 (21.03.89), abstract	1-11
A	--	
A	US 5162790 A (L. JASINSKI), 10 November 1992 (10.11.92), column 5, line 58 - line 65; column 6, line 51 - line 52; column 6, line 65 - line 68, figure 3B, abstract	1-11
A	--	
P,X	WO 9746033 A2 (PHILIPS ELECTRONICS N.V.), 4 December 1997 (04.12.97), page 8, line 15 - page 9, line 12, figure 3	1-11
P,X	--	
P,A	WO 9713379 A1 (MOTOROLA INC.), 10 April 1997 (10.04.97), page 28, line 3 - page 29, line 25, figures 5-6	2-4,7-8, 10-11
P,A	--	
E	US 5757281 A (R.J. SCHWENDENMANN ET AL), 26 May 1998 (26.05.98), column 3, line 39 - line 57, abstract	2-4,7-8, 10-11
E	-- -----	

# INTERNATIONAL SEARCH REPORT

Information on patent family members

30/06/98

International application No.

PCT/IB 98/00010

Patent document cited in search report	Publication date	Patent family member(s)	Publication date
US 4882579 A	21/11/89	AU 2937189 A CA 1289622 A JP 2503051 T WO 8906407 A	01/08/89 24/09/91 20/09/90 13/07/89
US 5124697 A	23/06/92	NONE	
EP 0501717 A2	02/09/92	AU 652025 B AU 1122892 A CA 2061697 A,C DE 69219504 D,T ES 2101030 T JP 4269021 A KR 9703649 Y SG 46508 A US 5561848 A	11/08/94 27/08/92 26/08/92 14/08/97 01/07/97 25/09/92 23/04/97 20/02/98 01/10/96
WO 9102435 A1	21/02/91	AU 6292290 A	11/03/91
US 4814763 A	21/03/89	AU 2902189 A CA 1306789 A DE 3887160 D,T EP 0391965 A,B HK 9097 A JP 3505952 T KR 9611127 B WO 8906026 A	19/07/89 25/08/92 28/04/94 17/10/90 31/01/97 19/12/91 20/08/96 29/06/89
US 5162790 A	10/11/92	NONE	
WO 9746033 A2	04/12/97	AU 2574797 A EP 0842589 A GB 9611146 D	05/01/98 20/05/98 00/00/00
WO 9713379 A1	10/04/97	US 5748100 A	05/05/98
US 5757281 A	26/05/98	NONE	