



US00D795664S

(12) **United States Design Patent**
Schneider

(10) **Patent No.:** **US D795,664 S**

(45) **Date of Patent:** **** Aug. 29, 2017**

(54) **SLEEVE FOR LOADING BULK VISCOUS MATERIAL FROM A CONTAINER INTO A DISPENSING DEVICE**

(71) Applicant: **Albion Engineering Company**,
Moorestown, NJ (US)

(72) Inventor: **Mark C. Schneider**, Moorestown, NJ
(US)

(73) Assignee: **Albion Engineering**, Moorestown, NJ
(US)

(**) Term: **15 Years**

(21) Appl. No.: **29/549,929**

(22) Filed: **Dec. 29, 2015**

Related U.S. Application Data

(63) Continuation of application No. 14/073,929, filed on
Nov. 7, 2013, now abandoned.

(51) **LOC (10) Cl.** **08-05**

(52) **U.S. Cl.**
USPC **D8/14.1; D9/440**

(58) **Field of Classification Search**
USPC D8/14.1, 382; D23/262, 266; D13/133;
141/27, 18; D9/440, 442; D24/124
CPC B65B 3/12; B65B 3/10; B65B 3/16; B65B
3/17; B65D 41/04
See application file for complete search history.

(56) **References Cited**

U.S. PATENT DOCUMENTS

- 3,093,274 A * 6/1963 Galbierz B65D 25/42
222/325
- D235,343 S * 6/1975 Otto D23/262
- 4,175,597 A 11/1979 Peterson
- 4,647,075 A * 3/1987 Vargo F16L 37/18
285/312

- 5,228,721 A * 7/1993 Whittle F16L 13/141
285/23
- 5,292,318 A 3/1994 Haber et al.
- 5,336,401 A * 8/1994 Tu A01K 63/045
119/261
- 5,746,349 A 5/1998 Putteman et al.
- 5,918,914 A * 7/1999 Morris F16L 17/02
285/351
- 6,179,349 B1 * 1/2001 Guzzoni F16L 3/13
285/125.1

(Continued)

Primary Examiner — Phillip S Hyder

(74) *Attorney, Agent, or Firm* — Caesar Rivise, PC

(57) **CLAIM**

The ornamental design for the sleeve for loading bulk viscous material from a container into a dispensing device, as shown and described.

DESCRIPTION

FIG. 1 is an isometric view of a sleeve for loading bulk viscous material from a container into a dispensing device in accordance with my design;

FIG. 2 is a front view of the sleeve for loading bulk viscous material from a container into a dispensing device of FIG. 1, the left side view and the right side view being identical;

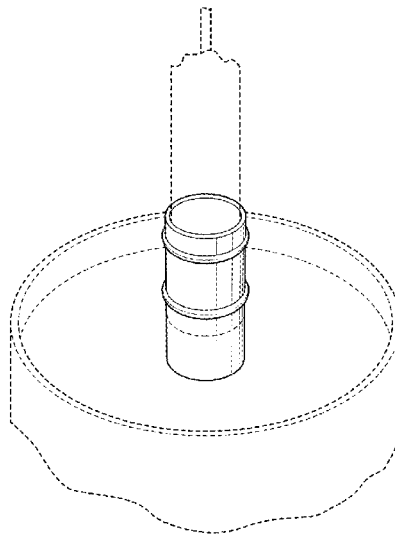
FIG. 3 is a top view of the sleeve for loading bulk viscous material from a container into a dispensing device of FIG. 1;

FIG. 4 is a bottom view of the sleeve for loading bulk viscous material from a container into a dispensing device of FIG. 1; and,

FIG. 5 is a cross-sectional view of the sleeve for loading bulk viscous material from a container into a dispensing device of FIG. 1, taken along lines 5-5 of FIG. 1.

The broken-line disclosure is understood to represent environmental subject matter in which the claimed design is embodied, but which forms no part of the claimed design.

1 Claim, 5 Drawing Sheets



(56)

References Cited

U.S. PATENT DOCUMENTS

6,293,098	B1 *	9/2001	Coates	F01N 13/10 138/155
D487,398	S *	3/2004	Bremner	D9/434
D623,277	S *	9/2010	Guzzoni	D23/262
D631,542	S *	1/2011	DeGross	D24/129
8,662,541	B2 *	3/2014	King	F16L 21/035 285/242
D730,494	S *	5/2015	Arment	D23/262
2008/0011784	A1	1/2008	Schneider et al.	
2011/0121018	A1	5/2011	Niepoth	
2013/0061973	A1 *	3/2013	Zerbes	F16L 9/12 138/109

* cited by examiner

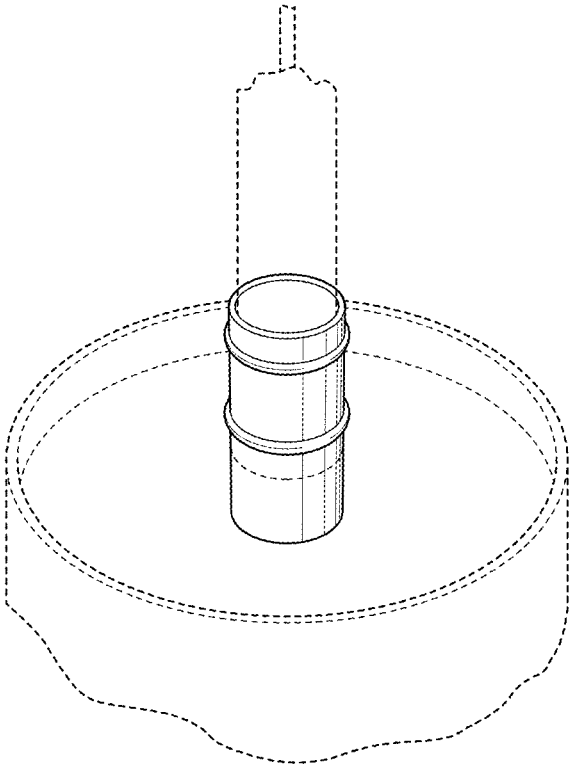


FIG. 1

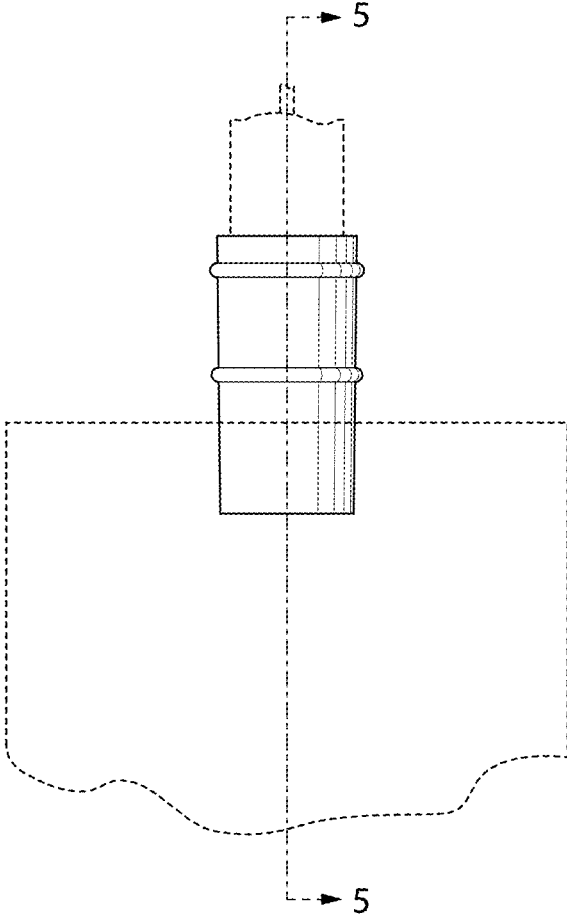


FIG. 2

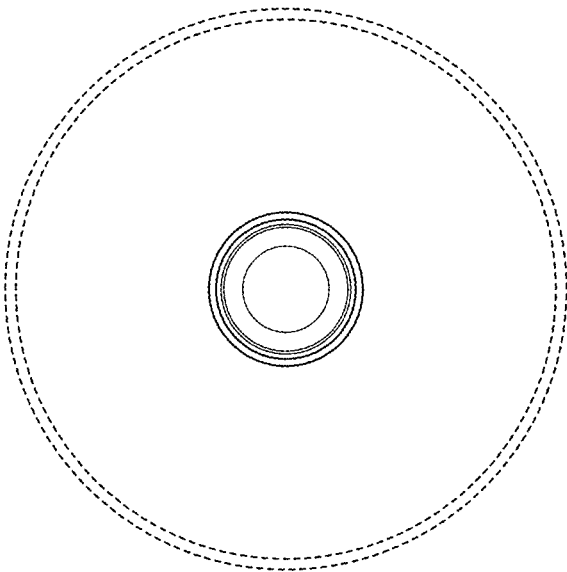


FIG. 3

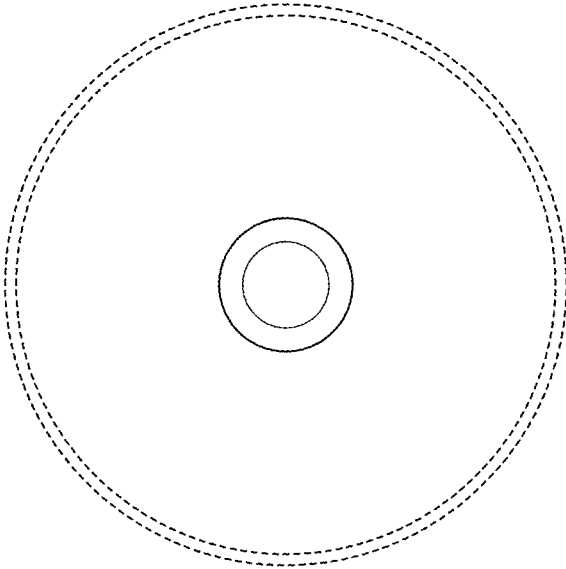


FIG. 4

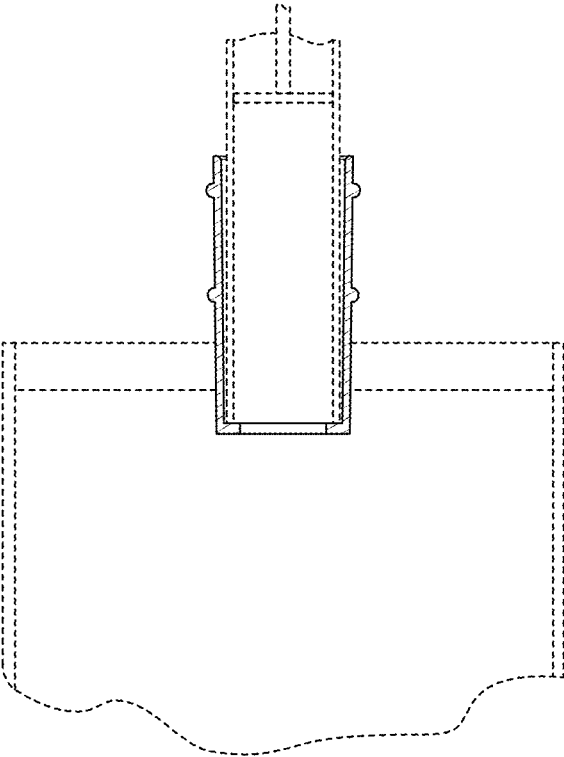


FIG. 5