



US00D445334S

(12) **United States Design Patent**
Bretz et al.

(10) **Patent No.:** **US D445,334 S**

(45) **Date of Patent:** **** Jul. 24, 2001**

(54) **BOTTLE PORTION**

(75) Inventors: **John Bretz**, Crystal Lake; **Jeff Lichtman**, Chicago, both of IL (US)

(73) Assignee: **Stokely-Van Camp, Inc.**, Chicago, IL (US)

(**) Term: **14 Years**

(21) Appl. No.: **29/136,546**

(22) Filed: **Feb. 1, 2001**

Related U.S. Application Data

(62) Division of application No. 29/102,677, filed on Mar. 26, 1999.

(51) **LOC (7) Cl.** **09-01**

(52) **U.S. Cl.** **D9/434; D9/502; D9/538**

(58) **Field of Search** D9/502, 557, 434, D9/538, 539-541; 215/382, 384, 370-373

(56) **References Cited**

U.S. PATENT DOCUMENTS

- D. 240,593 * 7/1976 Koenigsberg D9/557
- D. 241,713 * 10/1976 Plummer D9/502
- D. 295,381 * 4/1988 Papa D9/538
- D. 306,262 * 2/1990 Bit D9/502
- D. 308,482 * 6/1990 Wild D9/557

- D. 382,806 * 8/1997 Wilson et al. D9/502
- D. 410,197 * 5/1999 Herrin et al. D9/538
- 4,818,575 * 4/1989 Hirata et al. .
- 4,907,709 * 3/1990 Abe et al. .
- 5,064,081 * 11/1991 Hayashi et al. .
- 5,632,397 * 5/1997 Fandoux et al. 215/382
- 5,704,503 * 1/1998 Krishnakumar et al. 215/381
- 5,713,480 * 2/1998 Petre et al. 215/373

* cited by examiner

Primary Examiner—Lucy Lieberman

(74) *Attorney, Agent, or Firm*—Lars S. Johnson

(57) **CLAIM**

The ornamental design for a bottle portion, as shown and described.

DESCRIPTION

FIG. 1 is a perspective view of a bottle portion embodying a new design;

FIG. 2 is a front elevational view of the bottle portion depicted in FIG. 1, the side and rear elevational views being identical;

FIG. 3 is a top plan view of the bottle portion depicted in FIG. 2; and,

FIG. 4 is a bottom plan view of the bottle depicted in FIG. 2. The broken line environmental showing is for illustrative purposes only and does not form part of the claimed design.

1 Claim, 1 Drawing Sheet

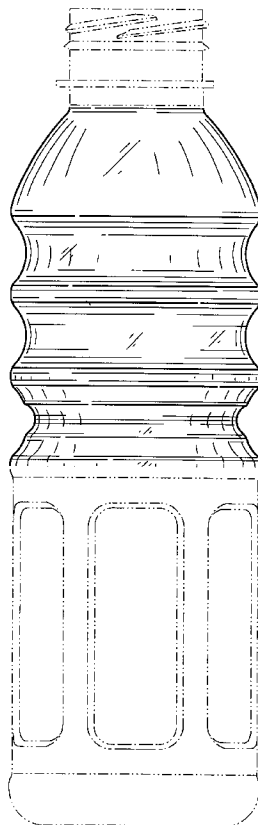


FIG. 1

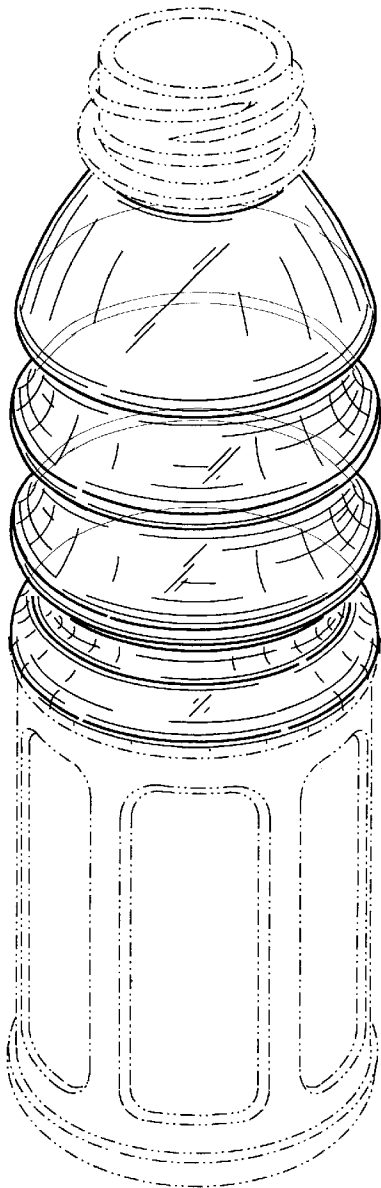


FIG. 2

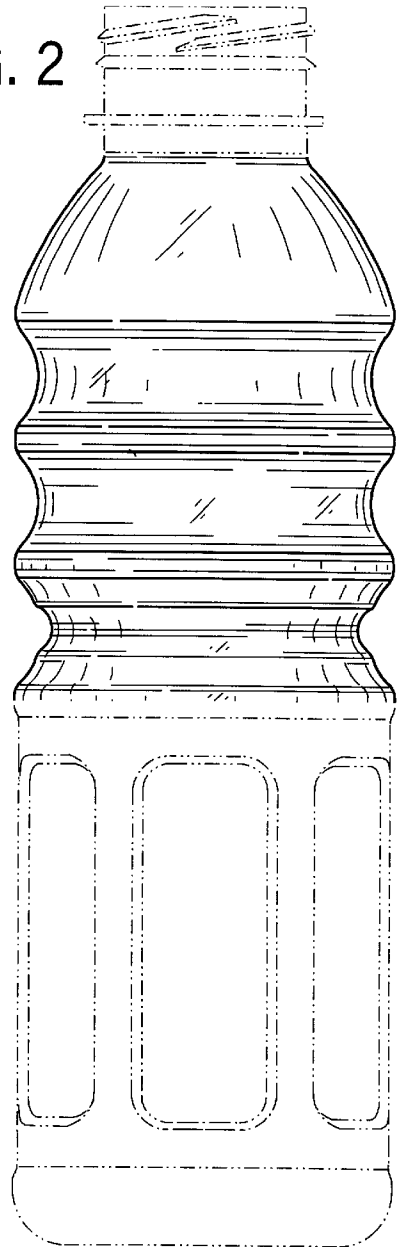


FIG. 3

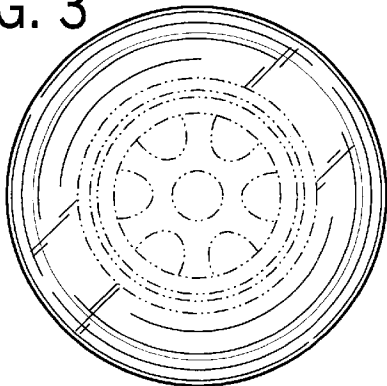


FIG. 4

