

(19) World Intellectual Property Organization
International Bureau



(43) International Publication Date
24 July 2003 (24.07.2003)

PCT

(10) International Publication Number
WO 03/060285 A3

(51) International Patent Classification⁷: E21C 41/24, E21D 09/12

(21) International Application Number: PCT/US03/00656

(22) International Filing Date: 9 January 2003 (09.01.2003)

(25) Filing Language: English

(26) Publication Language: English

(30) Priority Data:
60/347,348 9 January 2002 (09.01.2002) US
60/424,540 6 November 2002 (06.11.2002) US

(71) Applicant (for all designated States except US): OIL SANDS UNDERGROUND MINING, INC. [US/US]; 34804 West Meadow Road, Evergreen, CO 80439 (US).

(72) Inventors; and

(75) Inventors/Applicants (for US only): DRAKE, Ronald, D. [US/US]; 2260 Tattler Street, Arroyo Grande, CA 93420 (US). KOBLER, Michael, Helmut [US/US]; 665 Davis Street, San Francisco, CA 94111 (US). WATSON, John, David [US/US]; 34804 West Meadow Road, Evergreen, CO 80439 (US).

(74) Agents: SWARTZ, Douglas, W. et al.; SHERIDAN ROSS P.C., Suite 1200, 1560 Broadway, Denver, CO 80202-5141 (US).

(81) Designated States (national): AE, AG, AL, AM, AT, AU, AZ, BA, BB, BG, BR, BY, BZ, CA, CH, CN, CO, CR, CU, CZ, DE, DK, DM, DZ, EC, EE, ES, FI, GB, GD, GE, GH, GM, HR, HU, ID, IL, IN, IS, JP, KE, KG, KP, KR, KZ, LC, LK, LR, LS, LT, LU, LV, MA, MD, MG, MK, MN, MW, MX, MZ, NO, NZ, OM, PH, PL, PT, RO, RU, SC, SD, SE, SG, SK, SL, TJ, TM, TN, TR, TT, TZ, UA, UG, US, UZ, VC, VN, YU, ZA, ZM, ZW.

(84) Designated States (regional): ARIPO patent (GH, GM, KE, LS, MW, MZ, SD, SL, SZ, TZ, UG, ZM, ZW), Eurasian patent (AM, AZ, BY, KG, KZ, MD, RU, TJ, TM), European patent (AT, BE, BG, CH, CY, CZ, DE, DK, EE, ES, FI, FR, GB, GR, HU, IE, IT, LU, MC, NL, PT, SE, SI, SK, TR), OAPI patent (BF, BJ, CF, CG, CI, CM, GA, GN, GQ, GW, ML, MR, NE, SN, TD, TG).

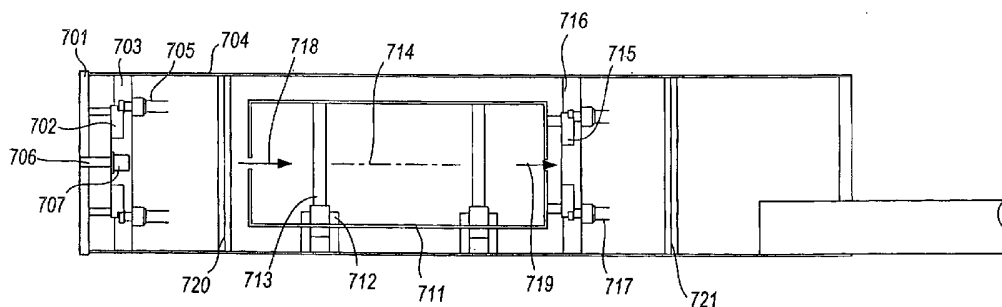
Published:

- with international search report
- before the expiration of the time limit for amending the claims and to be republished in the event of receipt of amendments

(88) Date of publication of the international search report: 6 November 2003

For two-letter codes and other abbreviations, refer to the "Guidance Notes on Codes and Abbreviations" appearing at the beginning of each regular issue of the PCT Gazette.

(54) Title: METHOD AND MEANS FOR PROCESSING OIL SANDS WHILE EXCAVATING



(57) Abstract: A mining machine and method of mining hydrocarbon containing minerals, such as oil sands. The machine includes a tunnelling head (701) and a separation device (711) inside, which rotates with the tunnelling head.



WO 03/060285 A3

INTERNATIONAL SEARCH REPORT

International application No.

PCT/US03/00656

A. CLASSIFICATION OF SUBJECT MATTER
 IPC(7) : E21C 41/24; E21D 09/12
 US CL : 299/8, 2, 56
 According to International Patent Classification (IPC) or to both national classification and IPC

B. FIELDS SEARCHED
 Minimum documentation searched (classification system followed by classification symbols)
 U.S. : 299/8, 2, 56

Documentation searched other than minimum documentation to the extent that such documents are included in the fields searched

Electronic data base consulted during the international search (name of data base and, where practicable, search terms used)

C. DOCUMENTS CONSIDERED TO BE RELEVANT

Category *	Citation of document, with indication, where appropriate, of the relevant passages	Relevant to claim No.
X	US 3,941,423 A (GARTE) 02 March 1976 (02.03.1976), see figure 1, column 6, lines 7-21.	1-8,11-24,27
Y	US 5,879,057 A (SCHWOEBEL, et al.) 09 March 1999 (09.03.1999), see figure 1.	28-31
Y	US 5,534,136 A (ROSENBLOOM) 09 July 1996 (09.07.1996) see figure 2.	28-31
A	US 604,330 A (KIBLING) 17 May 1898 (17.05.1898), see figure 1.	1
A	US 3,034,773 A (LEGATSKI) 15 May 1962 (15.05.1962) see figure 1.	1
A	US 4,116,487 A (YAMAZAKI, et al.) 26 September 1978 (26.09.1978), see figure 1.	1
A	US 4,216,999 (HANSON) 12 August 1980 (12.08.1980) see figures 2 and 4.	1

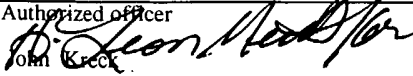
Further documents are listed in the continuation of Box C. See patent family annex.

* Special categories of cited documents:		
"A" document defining the general state of the art which is not considered to be of particular relevance	"T"	later document published after the international filing date or priority date and not in conflict with the application but cited to understand the principle or theory underlying the invention
"E" earlier application or patent published on or after the international filing date	"X"	document of particular relevance; the claimed invention cannot be considered novel or cannot be considered to involve an inventive step when the document is taken alone
"L" document which may throw doubts on priority claim(s) or which is cited to establish the publication date of another citation or other special reason (as specified)	"Y"	document of particular relevance; the claimed invention cannot be considered to involve an inventive step when the document is combined with one or more other such documents, such combination being obvious to a person skilled in the art
"O" document referring to an oral disclosure, use, exhibition or other means	"&"	document member of the same patent family
"P" document published prior to the international filing date but later than the priority date claimed		

Date of the actual completion of the international search
 05 May 2003 (05.05.2003)

Date of mailing of the international search report
29 AUG 2003

Name and mailing address of the ISA/US
 Mail Stop PCT, Attn: ISA/US
 Commissioner for Patents
 P.O. Box 1450
 Alexandria, Virginia 22313-1450
 Facsimile No. (703)305-3230

Authorized officer

 John Kreck
 Telephone No. (703)306-4177