



US00D404201S

United States Patent [19]
Wennerstrom

[11] **Patent Number: Des. 404,201**
[45] **Date of Patent: **Jan. 19, 1999**

[54] **SACHET CASE**
[75] Inventor: **Joel W. Wennerstrom**, Akron, Ohio
[73] Assignee: **Weatherchem Corporation**, Twinsburg, Ohio
[**] Term: **14 Years**
[21] Appl. No.: **82,720**
[22] Filed: **Jan. 28, 1998**
[51] **LOC (6) Cl.** **03-01**
[52] **U.S. Cl.** **D3/294; D9/423**
[58] **Field of Search** **D3/273, 294, 295**

4,730,731	3/1988	Allison	206/540
4,733,794	3/1988	Kent	220/306
4,733,796	3/1988	Halverstadt et al.	220/339
4,779,756	10/1988	Buelens et al.	220/307
5,042,658	8/1991	Tiramani et al.	206/349
5,139,165	8/1992	Hara	220/339
5,139,168	8/1992	Gueret	222/92
5,405,007	4/1995	Iwahashi	206/387.1
5,620,107	4/1997	Takeuchi	215/235
5,630,508	5/1997	Petit	206/387.1
5,667,094	9/1997	Rapchak et al.	220/339

Primary Examiner—Philip S. Hyder
Attorney, Agent, or Firm—Pearne, Gordon, McCoy & Granger LLP

[57] **CLAIM**

The ornamental design for a satchet case, as shown and described.

- [56] **References Cited**
- U.S. PATENT DOCUMENTS
- | | | | |
|------------|---------|----------------------|---------|
| D. 199,246 | 9/1964 | Giordano | D31/4 |
| D. 239,578 | 4/1976 | Woodward | D3/294 |
| D. 249,744 | 9/1978 | Lyman | D3/294 |
| D. 267,836 | 2/1983 | Benichou | D3/294 |
| D. 296,938 | 7/1988 | Amerigen | D9/423 |
| D. 298,515 | 11/1988 | Pennell | D9/423 |
| D. 364,344 | 11/1995 | Shaw | D9/423 |
| 3,327,887 | 6/1967 | Chalmers | 220/31 |
| 3,327,888 | 6/1967 | Chalmers et al. | 220/31 |
| 3,381,850 | 5/1968 | Haugen | 220/31 |
| 3,954,179 | 5/1976 | Warmath | 206/528 |
| 4,678,080 | 7/1987 | Nelson | 206/387 |

DESCRIPTION

FIG. 1 is a top, front perspective view of a satchet case;
FIG. 2 is a front elevational view;
FIG. 3 is a side elevational view, the opposite side being a mirror image thereof;
FIG. 4 is a top plan view;
FIG. 5 is a bottom plan view; and,
FIG. 6 is a top front perspective view in an open position.

1 Claim, 2 Drawing Sheets

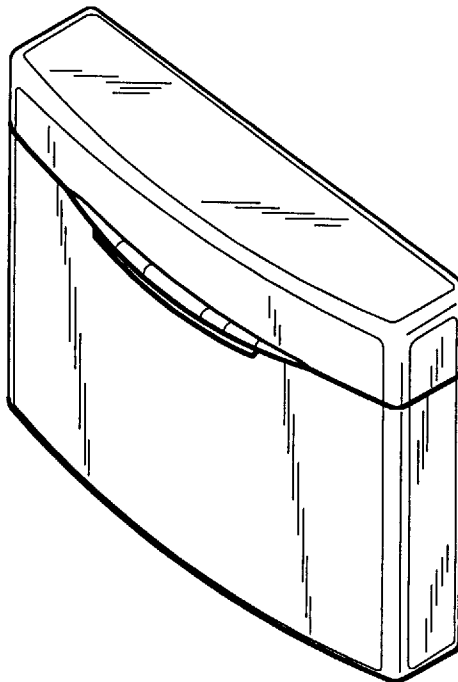


Fig.1

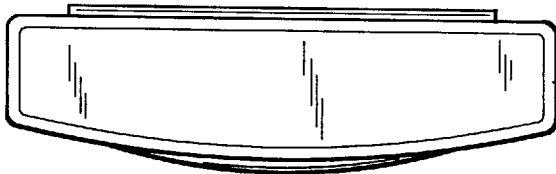
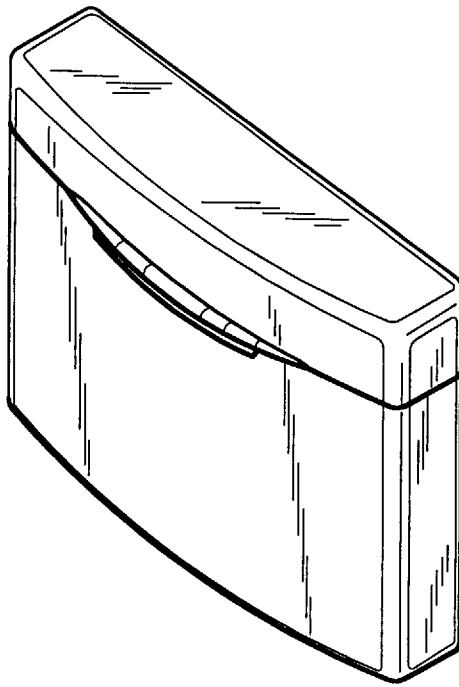


Fig.4

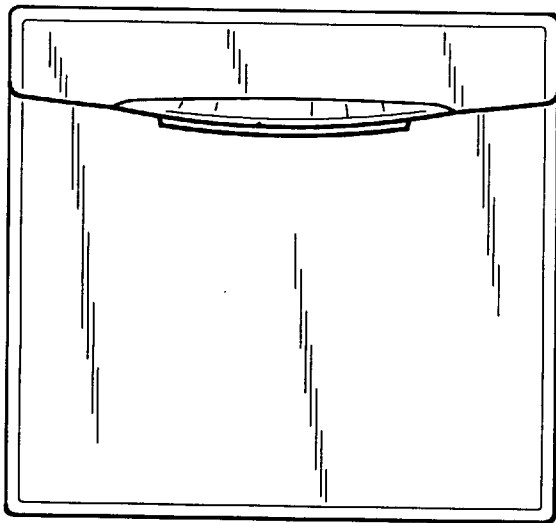


Fig.2

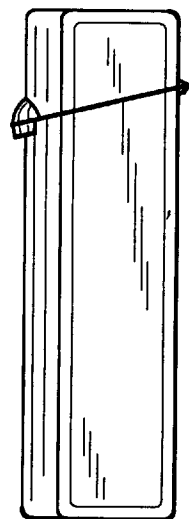


Fig.3

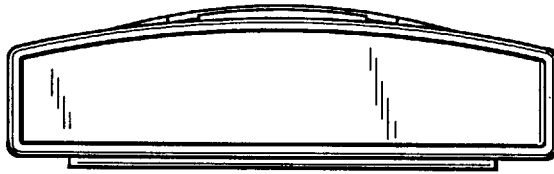


Fig.5

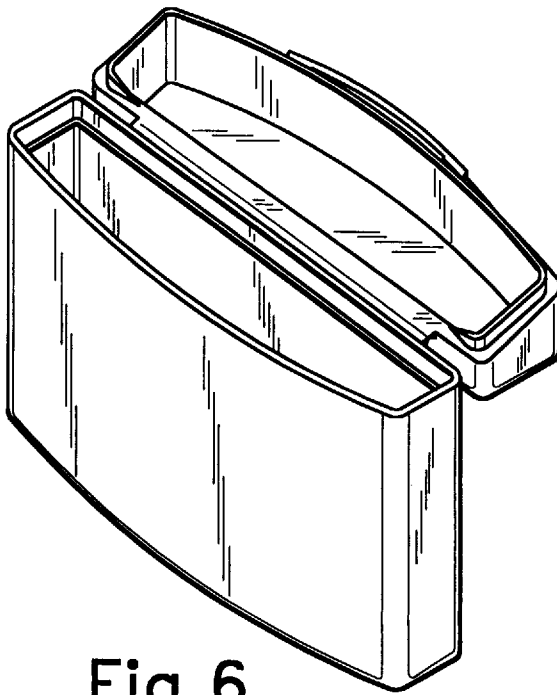


Fig.6