



US00D847106S

(12) **United States Design Patent**
Koo et al.

(10) **Patent No.:** **US D847,106 S**

(45) **Date of Patent:** **** Apr. 30, 2019**

(54) **SET-TOP BOX**

Primary Examiner — Randall H Gholson

(74) *Attorney, Agent, or Firm* — Baker & Hostetler LLP

(71) Applicant: **Comcast Cable Communications, LLC**, Philadelphia, PA (US)

(57) **CLAIM**

The ornamental design for a set-top box, as shown and described.

(72) Inventors: **Wonmo Koo**, Wynnewood, PA (US); **Neil Epstein**, Havertown, PA (US); **Fraser Stirling**, Bryn Mawr, PA (US); **Thomas Loretan**, Philadelphia, PA (US); **Michael Jou**, Philadelphia, PA (US); **Zhe Zhang**, Wood Ridge, NJ (US); **Henry M. Homza**, Philadelphia, PA (US)

DESCRIPTION

(73) Assignee: **Comcast Cable Communications, LLC**, Philadelphia, PA (US)

FIG. 1 is a top perspective view of a set-top box according to an aspect of the present disclosure;
FIG. 2 is an enlarged view of a portion of the set-top box of FIG. 1;
FIG. 3 is a cross-sectional view of the set-top box of FIG. 2 taken along line 3-3;
FIG. 4 is a bottom perspective view of the set-top box of FIG. 1;
FIG. 5 is a top plan view of the set-top box of FIG. 1;
FIG. 6 is a bottom plan view of the set-top box of FIG. 1;
FIG. 7 is a front view of the set-top box of FIG. 1;
FIG. 8 is a rear view of the set-top box of FIG. 1;
FIG. 9 is a right side view of the set-top box of FIG. 1; and
FIG. 10 is a left side view of the set-top box of FIG. 1.
FIG. 11 is a top perspective view of a set-top box according to an aspect of the present disclosure;
FIG. 12 is a bottom perspective view of the set-top box of FIG. 11;
FIG. 13 is a top plan view of the set-top box of FIG. 11;
FIG. 14 is a bottom plan view of the set-top box of FIG. 11;
FIG. 15 is a front view of the set-top box of FIG. 11;
FIG. 16 is a rear view of the set-top box of FIG. 11;
FIG. 17 is a right side view of the set-top box of FIG. 11; and
FIG. 18 is a left side view of the set-top box of FIG. 11.
The broken line portion “- -” of the drawings is included to show unclaimed subject matter only for the purpose of illustrating environment and forms no part of the claimed design.

(**) Term: **15 Years**

(21) Appl. No.: **29/637,187**

(22) Filed: **Feb. 14, 2018**

(51) **LOC (11) Cl.** **14-03**

(52) **U.S. Cl.**
USPC **D14/125**

(58) **Field of Classification Search**
USPC D14/125, 357-358, 496, 188, 242, 432;
D13/184; 348/10, 460, 706, 731;
340/825.03; 455/6.1, 6.2; 312/223.1, 7.2
CPC .. H04N 5/50; H04N 5/64; H05K 5/02; H05K
5/03; G06F 1/16
See application file for complete search history.

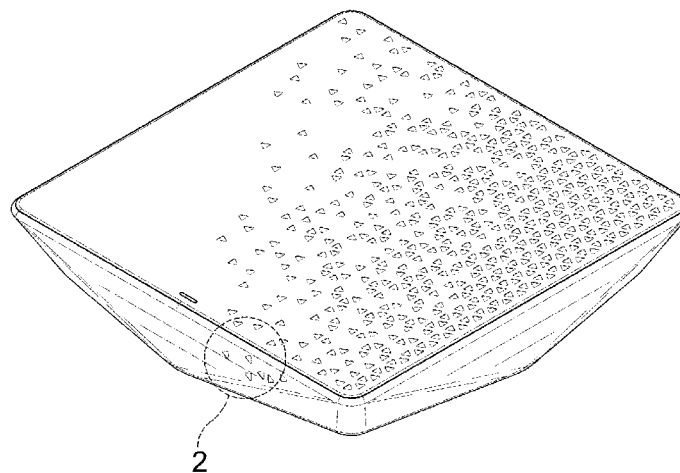
(56) **References Cited**

U.S. PATENT DOCUMENTS

D710,824 S *	8/2014	Mackiewicz	D14/214
D728,577 S *	5/2015	Amit	D14/435
D740,771 S *	10/2015	Daniel	D14/125
D782,430 S *	3/2017	Tam	D14/125

* cited by examiner

1 Claim, 9 Drawing Sheets



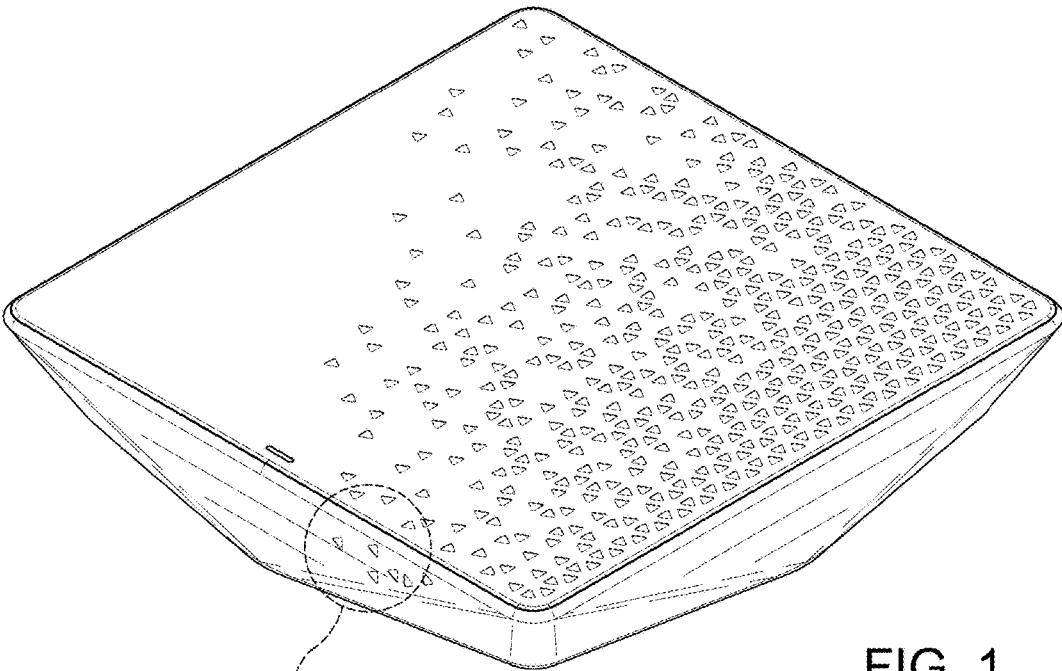


FIG. 1

2

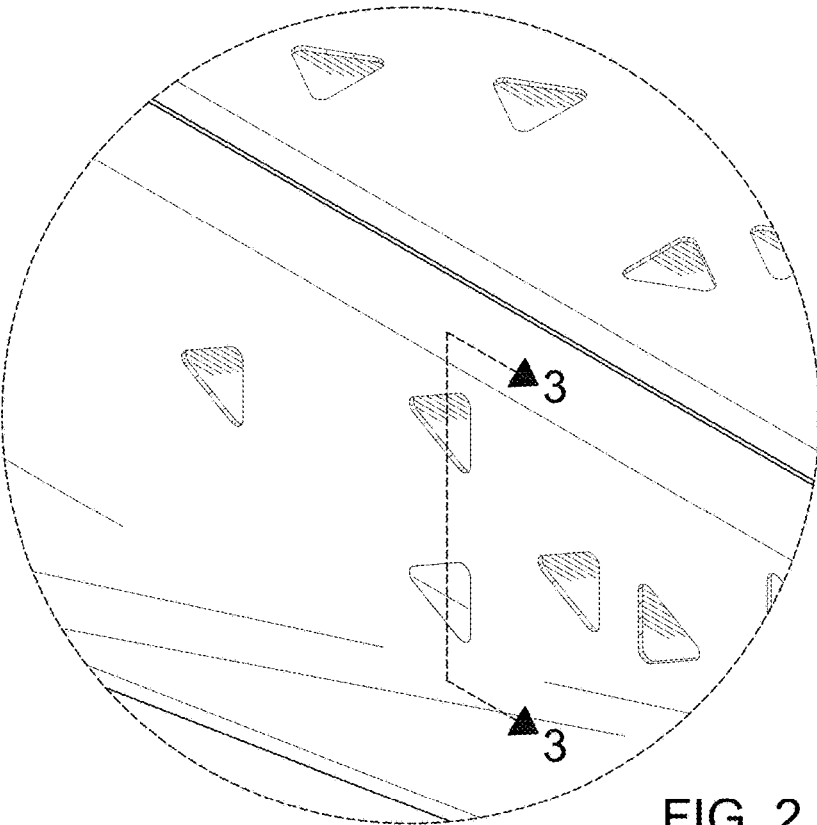


FIG. 2

3

3



FIG. 3

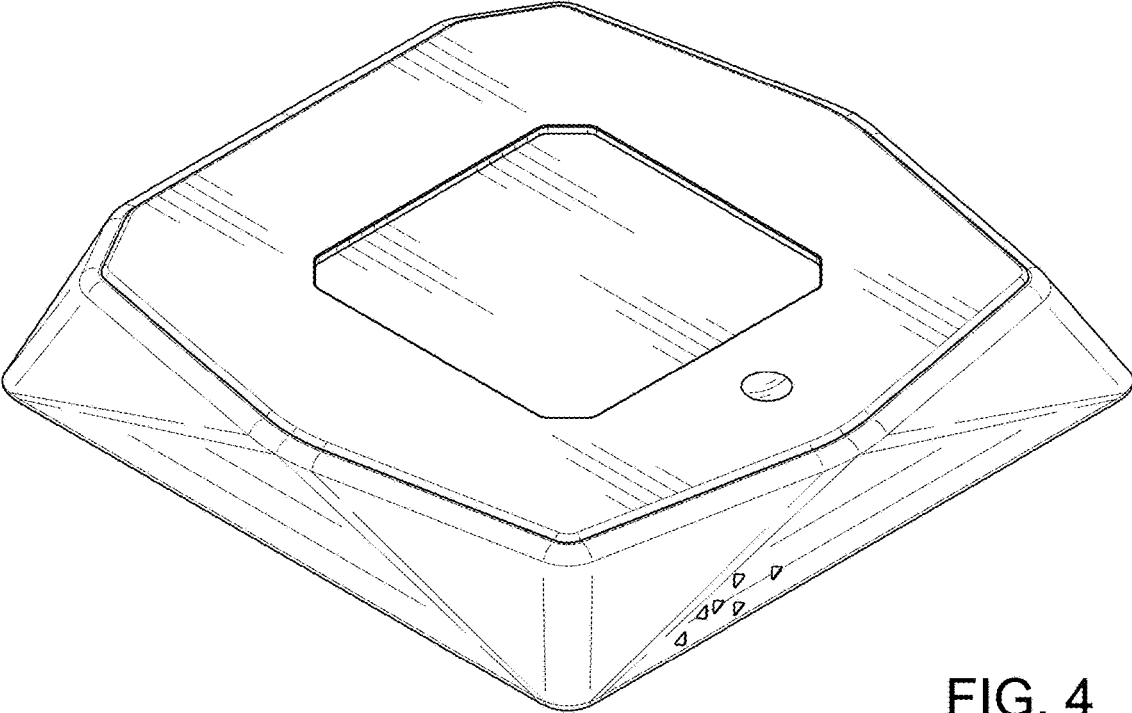


FIG. 4

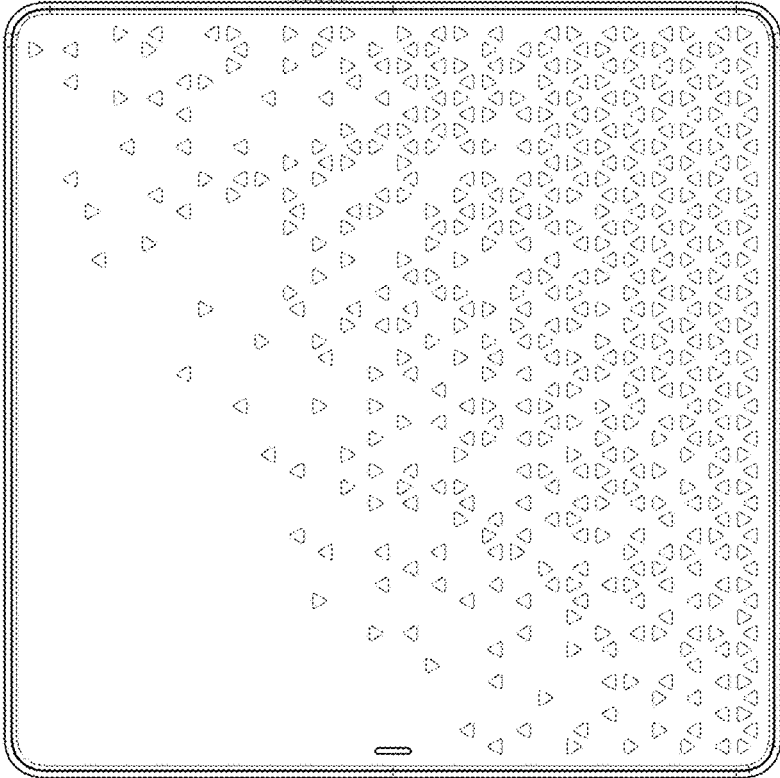


FIG. 5

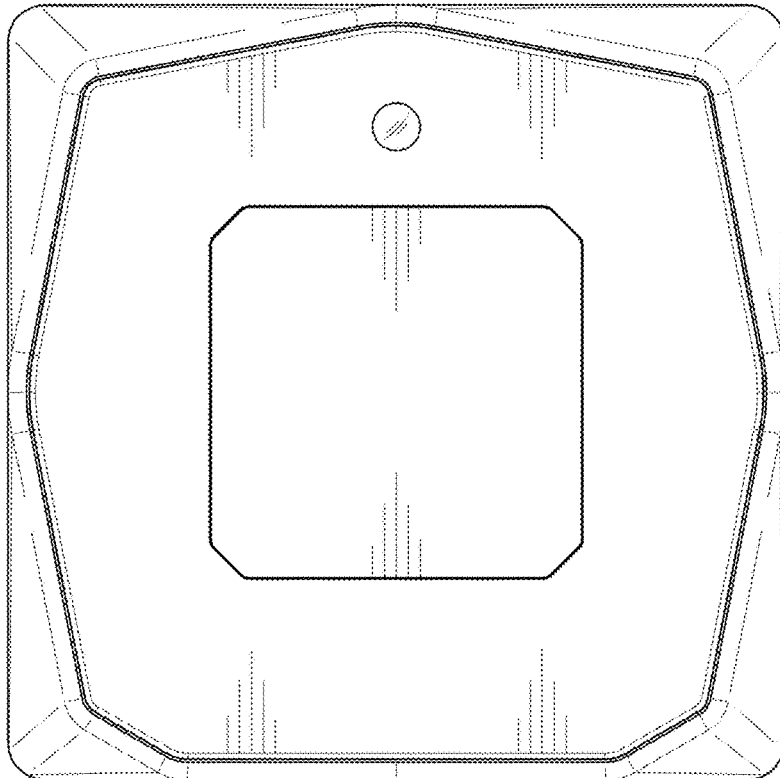


FIG. 6

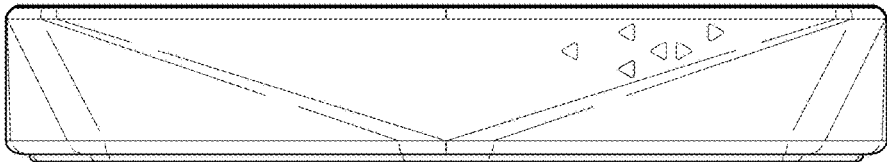


FIG. 7

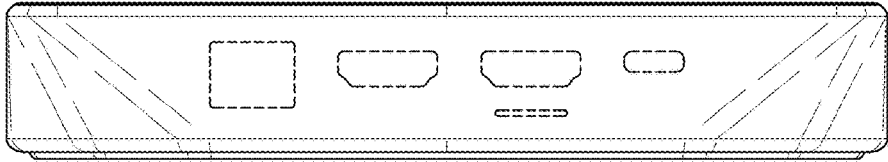


FIG. 8

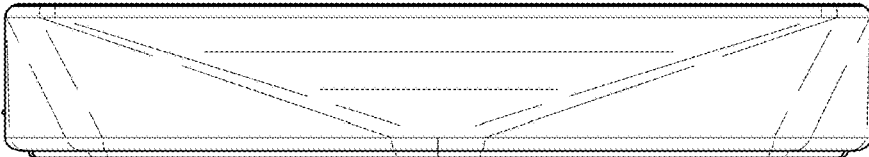


FIG. 9

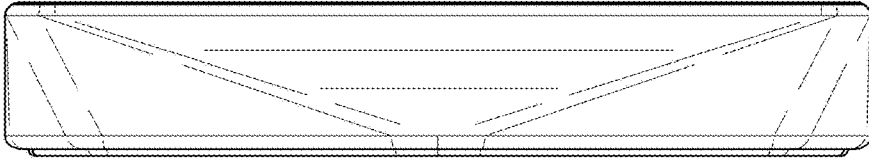


FIG. 10

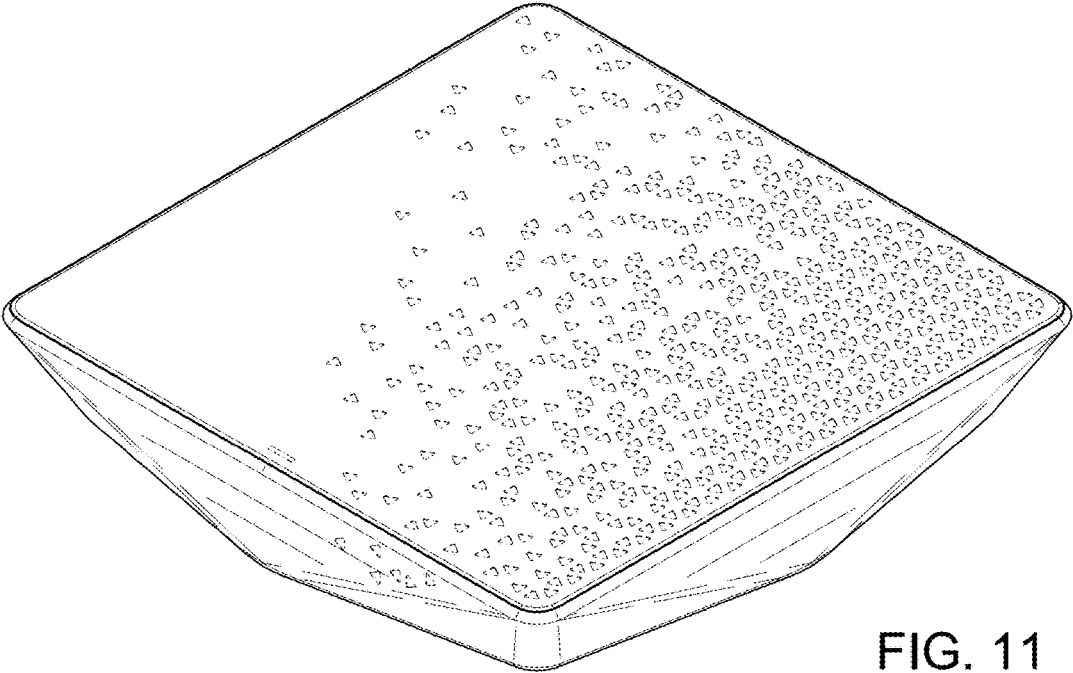


FIG. 11

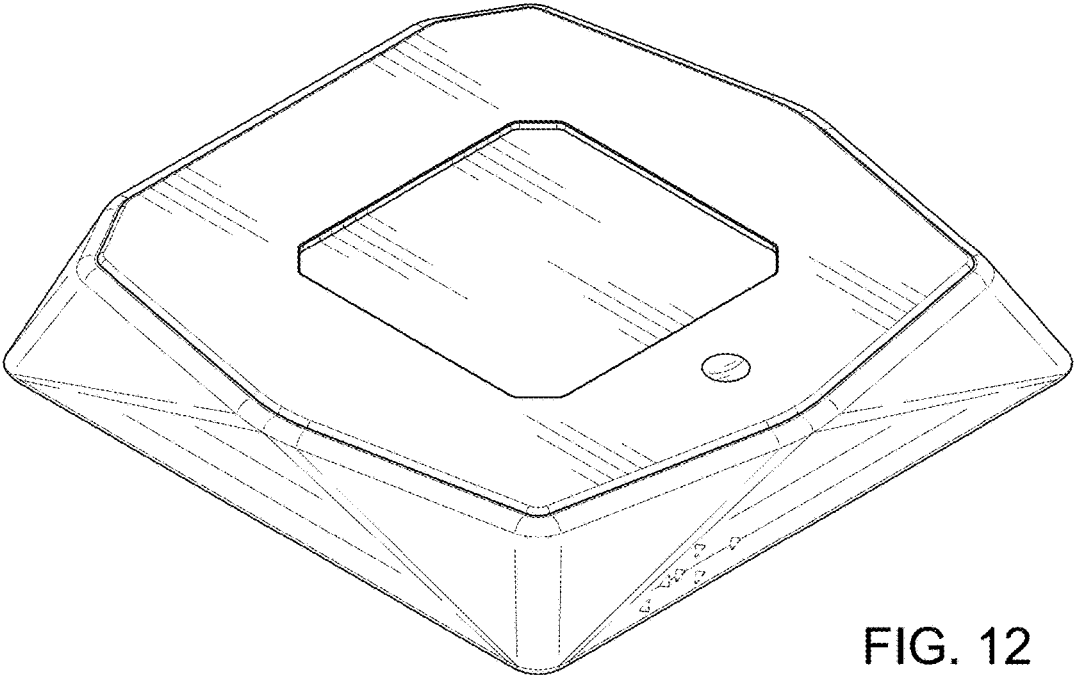


FIG. 12

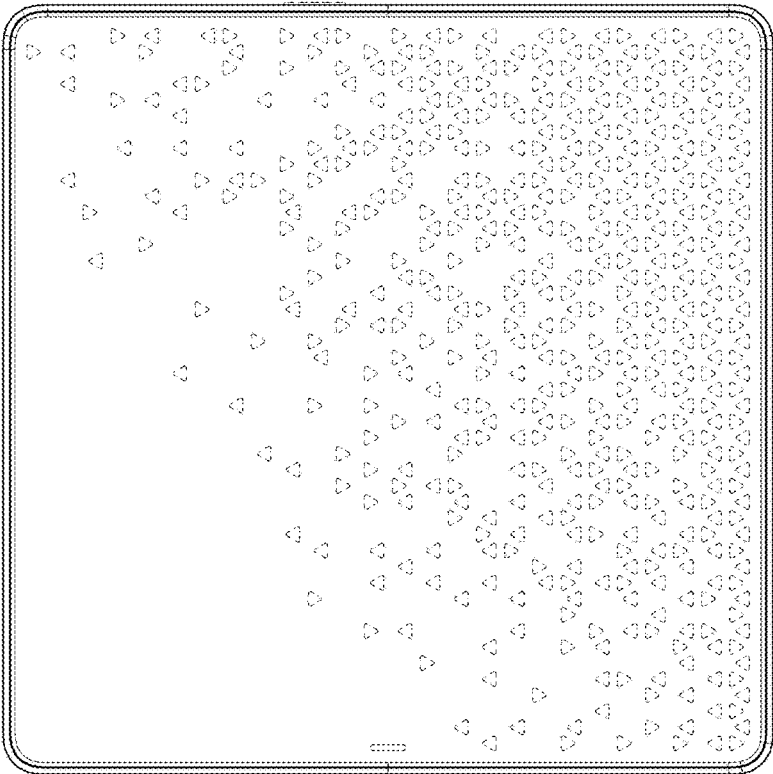


FIG. 13

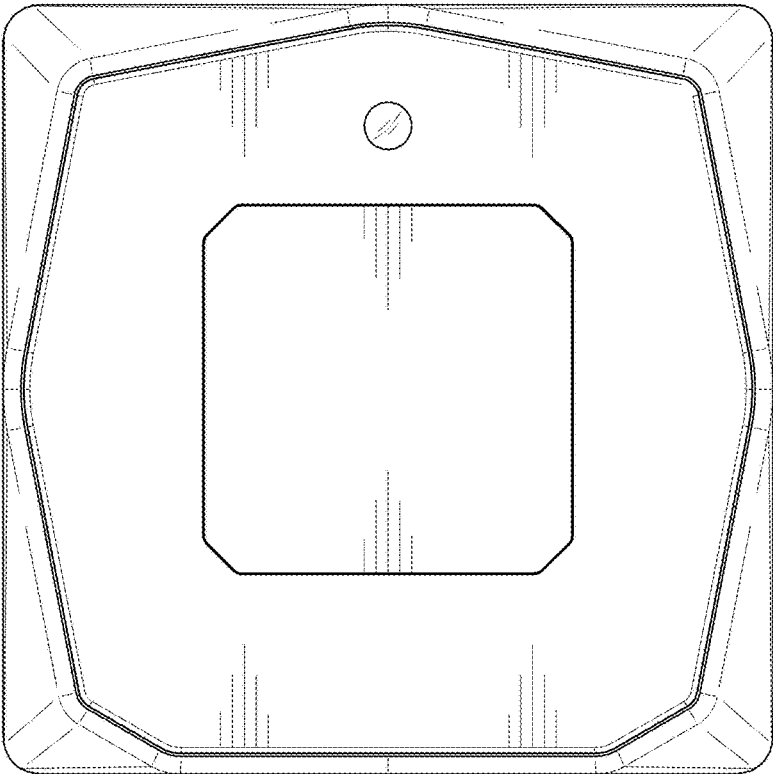


FIG. 14

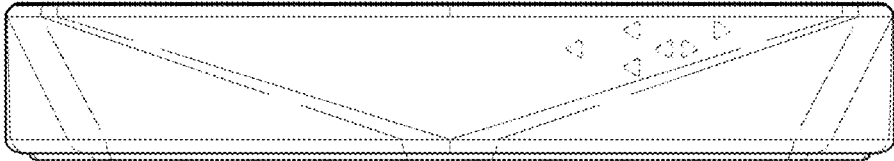


FIG. 15

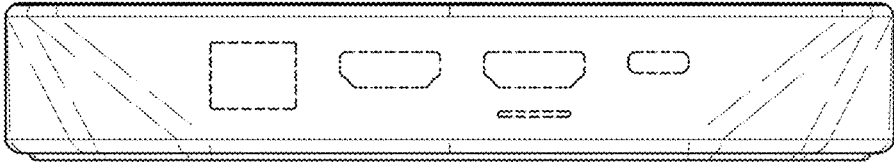


FIG. 16

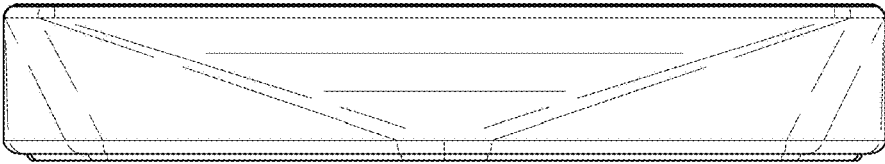


FIG. 17

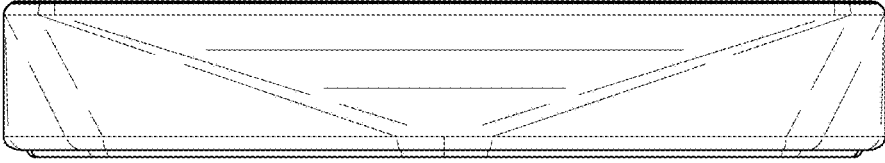


FIG. 18