



(51) International Patent Classification:

A47J 27/10 (2006.01) A47J 36/06 (2006.01)
A47J 27/12 (2006.01) A47J 36/02 (2006.01)
A47J 27/16 (2006.01) A47J 36/34 (2006.01)

(21) International Application Number:

PCT/US201 1/042927

(22) International Filing Date:

5 July 2011 (05.07.2011)

(25) Filing Language:

English

(26) Publication Language:

English

(30) Priority Data:

61/361,478 5 July 2010 (05.07.2010) US

(71) Applicant (for all designated States except US): **GET-A-GRIP CHAFING PANS, LLC** [US/US]; 2361 Banks School Road, Gibsonia, PA 15044 (US).

(72) Inventors; and

(75) Inventors/Applicants (for US only): **LEONARD, Lois** [US/US]; 2361 Banks School Road, Gibsonia, PA 15044 (US). **LEONARD, Joseph, L.** [US/US]; 2361 Bank School Road, Gibsonia, PA 15044 (US).

(74) Agent: **SHIDELER, Blynn, L.**; BLK Law Group, 3500 Brooktree Road, Suite 200, Wexford, PA 15090, US (US).

(81) Designated States (unless otherwise indicated, for every kind of national protection available): AE, AG, AL, AM,

AO, AT, AU, AZ, BA, BB, BG, BH, BR, BW, BY, BZ, CA, CH, CL, CN, CO, CR, CU, CZ, DE, DK, DM, DO, DZ, EC, EE, EG, ES, FI, GB, GD, GE, GH, GM, GT, HN, HR, HU, ID, IL, IN, IS, JP, KE, KG, KM, KN, KP, KR, KZ, LA, LC, LK, LR, LS, LT, LU, LY, MA, MD, ME, MG, MK, MN, MW, MX, MY, MZ, NA, NG, NI, NO, NZ, OM, PE, PG, PH, PL, PT, RO, RS, RU, SC, SD, SE, SG, SK, SL, SM, ST, SV, SY, TH, TJ, TM, TN, TR, TT, TZ, UA, UG, US, UZ, VC, VN, ZA, ZM, ZW.

(84) Designated States (unless otherwise indicated, for every kind of regional protection available): ARIPO (BW, GH, GM, KE, LR, LS, MW, MZ, NA, SD, SL, SZ, TZ, UG, ZM, ZW), Eurasian (AM, AZ, BY, KG, KZ, MD, RU, TJ, TM), European (AL, AT, BE, BG, CH, CY, CZ, DE, DK, EE, ES, FI, FR, GB, GR, HR, HU, IE, IS, IT, LT, LU, LV, MC, MK, MT, NL, NO, PL, PT, RO, RS, SE, SI, SK, SM, TR), OAPI (BF, BJ, CF, CG, CI, CM, GA, GN, GQ, GW, ML, MR, NE, SN, TD, TG).

Published:

- with international search report (Art. 21(3))
- before the expiration of the time limit for amending the claims and to be republished in the event of receipt of amendments (Rule 48.2(h))

(88) Date of publication of the international search report: 31 May 2012

(54) Title: QUICK ATTACHING CHAFING DISH HANDLE CONFIGURED FOR SAFE CHAFING DISH PLACEMENT AND REMOVAL AND FOR NESTING CHAFING DISH STORAGE

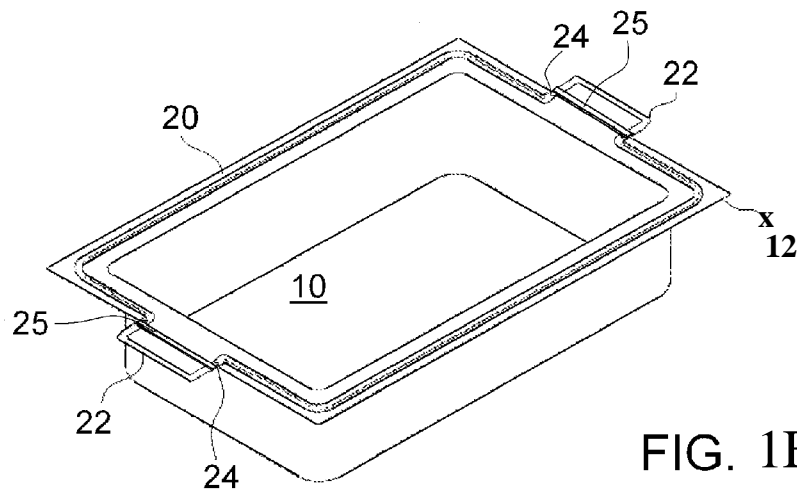


FIG. 1B

(57) Abstract: A chafing dish with handles allows a safe, efficient, and professional-appearing exchange and serving of food, keeping the servers hands away from the outer edge of the chafing dish where hot steam rises from the water pan. The chafing dish handles of the present invention are formed as part of a closed loop frame. The frame consists of rail members that are configured to align with and to be positioned beneath the chafing dish ledge. The rail members form a rectangular, depending on the shape of the chafing dish, structure. Handle members extend from the rail members on opposed sides of the frame and extend in a manner that does not prevent the lid placement or the nesting of chafing dishes in storage.



INTERNATIONAL SEARCH REPORT

International application No.
PCT/US2011/042927**A. CLASSIFICATION OF SUBJECT MATTER**

A47J 27/10(2006.01)i, A47J 27/12(2006.01)1, A47J 27/16(2006.01)1, A47J 36/06(2006.01)1, A47J 36/02(2006.01)1, A47J 36/34(2006.01)i

According to International Patent Classification (IPC) or to both national classification and IPC

B. FIELDS SEARCHED

Minimum documentation searched (classification system followed by classification symbols)

A47J 27/10; B01D 35/28; A47J 27/00; A47J 27/04; A47J 43/00

Documentation searched other than minimum documentation to the extent that such documents are included in the fields searched

Korean utility models and applications for utility models

Japanese utility models and applications for utility models

Electronic data base consulted during the international search (name of data base and, where practicable, search terms used)

eKOMPASS(KIPO internal) & Keywords: pan,dish,handle

C. DOCUMENTS CONSIDERED TO BE RELEVANT

Category*	Citation of document, with indication, where appropriate, of the relevant passages	Relevant to claim No.
X	US 05511467 A (MOTLEY; DANIEL L. et al.) 30 April 1996 See claims 1-7, 10; figs. 1-7; column 4 lines 5-21, 35-48, column 5 lines 16-21	1-3,13-18
A	US 6705210 B2 (LEONARD; JOSEPH L.) 16 March 2004 See claims 1-5, 19; figs. 1-3; column 4 lines 48-64, column 5 lines 20-21, 30-31, column 6 lines 21-23	1-18
A	US 05819640 A (CUOMO; THOMAS M. et al.) 13 October 1998 See claims 1, 6; fig. 1; column 2 lines 23-37, column 3 line 24	1-18
A	US 6234068 B1 (SHERMAN; ALEKSANDR) 22 May 2001 See claims 1-2; figs. 1-2; column 2 lines 31-42, column 3 lines 9-10	1-18
A	US 06092670 A (MARRIOTT; VICTOR J.) 25 July 2000 See claim 1; figs. 1-5; column 3 lines 61-67, column 4 lines 1-22, 61-67	1-18

 Further documents are listed in the continuation of Box C. See patent family annex.

* Special categories of cited documents:

"A" document defining the general state of the art which is not considered to be of particular relevance

"E" earlier application or patent but published on or after the international filing date

"L" document which may throw doubts on priority claim(s) or which is cited to establish the publication date of citation or other special reason (as specified)

"O" document referring to an oral disclosure, use, exhibition or other means

"P" document published prior to the international filing date but later than the priority date claimed

"T" later document published after the international filing date or priority date and not in conflict with the application but cited to understand the principle or theory underlying the invention

"X" document of particular relevance; the claimed invention cannot be considered novel or cannot be considered to involve an inventive step when the document is taken alone

"Y" document of particular relevance; the claimed invention cannot be considered to involve an inventive step when the document is combined with one or more other such documents, such combination being obvious to a person skilled in the art

"&" document member of the same patent family

Date of the actual completion of the international search

20 MARCH 2012 (20.03.2012)

Date of mailing of the international search report

21 MARCH 2012 (21.03.2012)

Name and mailing address of the ISA/KR

Korean Intellectual Property Office
Government Complex-Daejeon, 189 Cheongsa-ro,
Seo-gu, Daejeon 302-701, Republic of Korea

Facsimile No. 82-42-472-7140

Authorized officer

KIM, Jae Hyun

Telephone No. 82-42-481-5626



INTERNATIONAL SEARCH REPORT

Information on patent family members

International application No.

PCT/US2011/042927

Patent document cited in search report	Publication date	Patent family member(s)	Publication date
US 05511467 A	30.04.1996	US 05511467A A	30.04.1996
US 6705210 B2	16.03.2004	US 2003-000396 A1	02.01.2003
US 05819640 A	13.10.1998	None	
US 6234068 B1	22.05.2001	CA 2356079 A1 CA 2356079 C	07.03.2002 23.01.2007
US 06092670 A	25.07.2000	WO 98-52669 A1	26.11.1998