



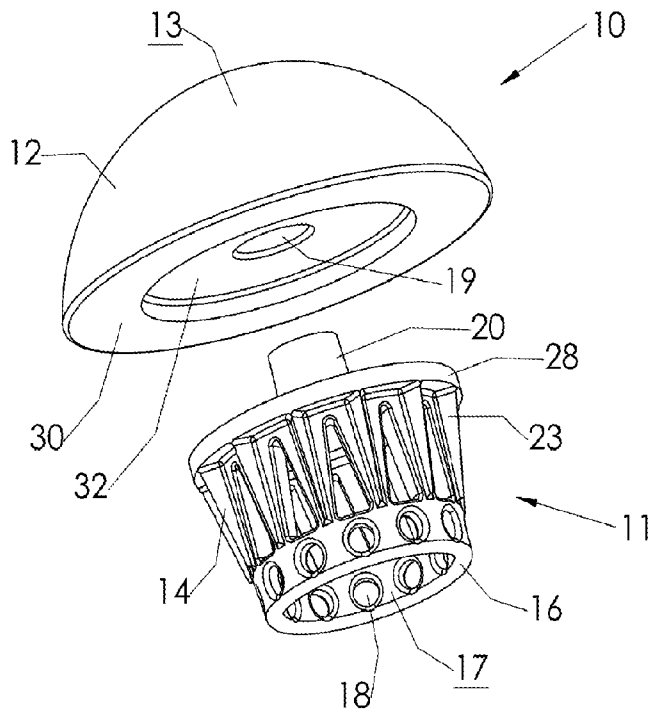
- (51) International Patent Classification:
A61F 2/40 (2006.01)
- (21) International Application Number:
PCT/US2013/022399
- (22) International Filing Date:
21 January 2013 (21.01.2013)
- (25) Filing Language: English
- (26) Publication Language: English
- (30) Priority Data:
61/589,243 20 January 2012 (20.01.2012) US
13/745,844 20 January 2013 (20.01.2013) US
- (71) Applicant: SHOULDER OPTIONS, INC.; 100 E. South Main St., Waxhaw, NC 28173 (US).
- (72) Inventor: HUMPHREY, C, Scott; 3381 W. Bavaria, Eagle, ID 83616 (US).
- (74) Agent: HOLLAND, Joseph, W.; Holland Law Office P.L.L.C., PO Box 1840, Boise, ID 83701-1840 (US).

(81) Designated States (unless otherwise indicated, for every kind of national protection available): AE, AG, AL, AM, AO, AT, AU, AZ, BA, BB, BG, BH, BN, BR, BW, BY, BZ, CA, CH, CL, CN, CO, CR, CU, CZ, DE, DK, DM, DO, DZ, EC, EE, EG, ES, FI, GB, GD, GE, GH, GM, GT, HN, HR, HU, ID, IL, IN, IS, JP, KE, KG, KM, KN, KP, KR, KZ, LA, LC, LK, LR, LS, LT, LU, LY, MA, MD, ME, MG, MK, MN, MW, MX, MY, MZ, NA, NG, NI, NO, NZ, OM, PA, PE, PG, PH, PL, PT, QA, RO, RS, RU, RW, SC, SD, SE, SG, SK, SL, SM, ST, SV, SY, TH, TJ, TM, TN, TR, TT, TZ, UA, UG, US, UZ, VC, VN, ZA, ZM, ZW.

(84) Designated States (unless otherwise indicated, for every kind of regional protection available): ARIPO (BW, GH, GM, KE, LR, LS, MW, MZ, NA, RW, SD, SL, SZ, TZ, UG, ZM, ZW), Eurasian (AM, AZ, BY, KG, KZ, RU, TJ, TM), European (AL, AT, BE, BG, CH, CY, CZ, DE, DK, EE, ES, FI, FR, GB, GR, HR, HU, IE, IS, IT, LT, LU, LV, MC, MK, MT, NL, NO, PL, PT, RO, RS, SE, SI, SK, SM, TR), OAPI (BF, BJ, CF, CG, CI, CM, GA, GN, GQ, GW, ML, MR, NE, SN, TD, TG).

[Continued on next page]

(54) Title: HUMERAL HEAD PROSTHESIS



(57) Abstract: A humeral head prosthetic device including a chassis and a head attached or attachable to the chassis. In the preferred embodiment, the chassis includes a tapered and multifaceted anchor element attached to and projecting distally from a base element, the configuration of the tapered and multifaceted anchor element adapted to counter rotation of the chassis once it is impacted into the humeral head. The preferred embodiment of humeral head prosthetic device also includes one or more blind holes each of the blind holes or slots being defined in part by a penetrable wall, each of the blind holes including a wall that may be readily penetrated in order permit insertion of a tool to aid in removal of the prosthesis where such removal is required.

WO 2013/110031 A3



Published:

— *with international search report (Art. 21(3))*

(88) Date of publication of the international search report:
13 February 2014

(15) Information about Correction:

Previous Correction:
see Notice of 19 December 2013

INTERNATIONAL SEARCH REPORT

International application No.
PCT/US13/22399

A. CLASSIFICATION OF SUBJECT MATTER
 IPC(8) - A61F 2/40 (2013.01)
 USPC - 623/19.13, 19.14
 According to International Patent Classification (IPC) or to both national classification and IPC

B. FIELDS SEARCHED

Minimum documentation searched (classification system followed by classification symbols)
 IPC(8): A61F 2/40 (2013.01)
 USPC: 623/19.11-19.14, 18.11, 16.11, 11.11

Documentation searched other than minimum documentation to the extent that such documents are included in the fields searched

Electronic data base consulted during the international search (name of data base and, where practicable, search terms used)
 MicroPatent (US-G, US-A, EP-A, EP-B, WO, JP-bib, DE-C,B, DE-A, DE-T, DE-U, GB-A, FR-A); IP.com; PubMed/MEDLINE; Google; GoogleScholar; humeral, shoulder, texture, prosthesis, anchor, aperture

C. DOCUMENTS CONSIDERED TO BE RELEVANT

Category*	Citation of document, with indication, where appropriate, of the relevant passages	Relevant to claim No.
X --- Y	US 2009/0265010 A1 (ANGIBAUD, L et al.) October, 22, 2009; figures 4-6; paragraphs [0002], [0055], [0056], [0060], [0064]	1, 3, 16, 21 ----- 2, 4-15, 17-20, 22
X --- Y	US 2006/0200248 A1 (BEGUIN, L et al.) September 7, 2006; paragraphs [0045], [0046]	23 ----- 5, 9-15, 22
Y	US 7186269 B2 (CYPRIEN, JM et al.) March 6, 2007; column 4, lines 4-9; Claim 5	4, 12, 20
Y	US 8070820 B2 (WINSLOW, NA et al.) December 6, 2011; figures 6a, 6b; column 7, lines 1-7	6-8, 13-15, 17, 18
Y	US 7753959 B2 (BERELSMAN, BK et al.) July 13, 2010; Claim 3, 4	2, 10, 19
A	US 6102951 A (SUTTER, F, et al.) August 15, 2000; figures 4-9; paragraph [0060]	1-23

Further documents are listed in the continuation of Box C.

* Special categories of cited documents:	"T" later document published after the international filing date or priority date and not in conflict with the application but cited to understand the principle or theory underlying the invention
"A" document defining the general state of the art which is not considered to be of particular relevance	"X" document of particular relevance; the claimed invention cannot be considered novel or cannot be considered to involve an inventive step when the document is taken alone
"E" earlier application or patent but published on or after the international filing date	"Y" document of particular relevance; the claimed invention cannot be considered to involve an inventive step when the document is combined with one or more other such documents, such combination being obvious to a person skilled in the art
"L" document which may throw doubts on priority claim(s) or which is cited to establish the publication date of another citation or other special reason (as specified)	"&" document member of the same patent family
"O" document referring to an oral disclosure, use, exhibition or other means	
"P" document published prior to the international filing date but later than the priority date claimed	

Date of the actual completion of the international search 20 March 2013 (20.03.2013)	Date of mailing of the international search report 13 MAY 2013
---	--

Name and mailing address of the ISA/US Mail Stop PCT, Attn: ISA/US, Commissioner for Patents P.O. Box 1450, Alexandria, Virginia 22313-1450 Facsimile No. 571-273-3201	Authorized officer: Shane Thomas PCT Helpdesk: 571-272-4300 PCT OSP: 571-272-7774
---	--