

(19) World Intellectual Property Organization
International Bureau



(43) International Publication Date
13 September 2007 (13.09.2007)

PCT

(10) International Publication Number
WO 2007/102157 A2

(51) International Patent Classification:
F21L 2/00 (2006.01)

(21) International Application Number:
PCT/IL2007/000298

(22) International Filing Date: 8 March 2007 (08.03.2007)

(25) Filing Language: English

(26) Publication Language: English

(30) Priority Data:
60/767,185 9 March 2006 (09.03.2006) US

(71) Applicant (for all designated States except US): **NEW PRODUCTS INTERNATIONAL INC.** [US/US]; 1 Alpine Ct., Chestnut Ridge, New York 10977 (US).

(72) Inventors; and

(75) Inventors/Applicants (for US only): **TAMIR, Giora** [US/US]; 1 Alpine Ct., Chestnut Ridge, New York 10977 (US). **BERKOVITZ, Shlomo** [IL/IL]; 1 Megineh Negbah St., 46383 Herzelia (IL).

(74) Agent: **TSIVION, Yoram ;** P.O.box 3148, 38900 Caesarea (IL).

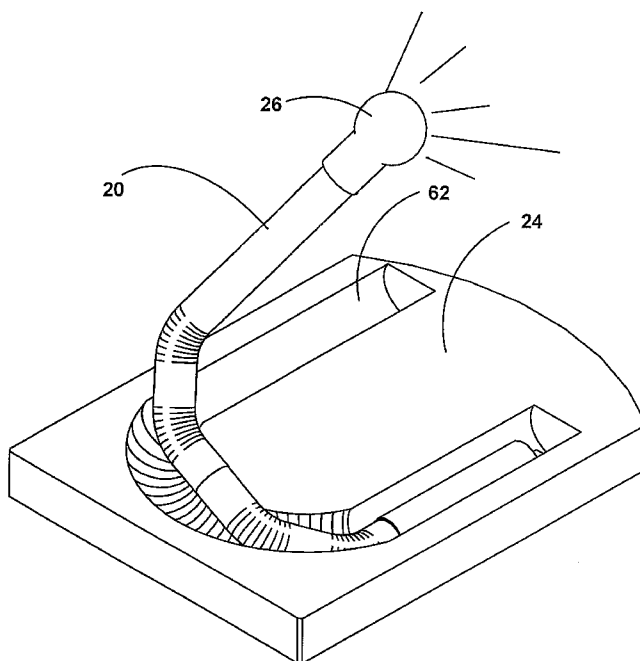
(81) Designated States (unless otherwise indicated, for every kind of national protection available): AE, AG, AL, AM, AT, AU, AZ, BA, BB, BG, BR, BW, BY, BZ, CA, CH, CN, CO, CR, CU, CZ, DE, DK, DM, DZ, EC, EE, EG, ES, FI, GB, GD, GE, GH, GM, GT, HN, HR, HU, ID, IL, IN, IS, JP, KE, KG, KM, KN, KP, KR, KZ, LA, LC, LK, LR, LS, LT, LU, LY, MA, MD, MG, MK, MN, MW, MX, MY, MZ, NA, NG, NI, NO, NZ, OM, PG, PH, PL, PT, RO, RS, RU, SC, SD, SE, SG, SK, SL, SM, SV, SY, TJ, TM, TN, TR, TT, TZ, UA, UG, US, UZ, VC, VN, ZA, ZM, ZW.

(84) Designated States (unless otherwise indicated, for every kind of regional protection available): ARIPO (BW, GH, GM, KE, LS, MW, MZ, NA, SD, SL, SZ, TZ, UG, ZM, ZW), Eurasian (AM, AZ, BY, KG, KZ, MD, RU, TJ, TM), European (AT, BE, BG, CH, CY, CZ, DE, DK, EE, ES, FI, FR, GB, GR, HU, IE, IS, IT, LT, LU, LV, MC, MT, NL, PL, PT, RO, SE, SI, SK, TR), OAPI (BF, BJ, CF, CG, CI, CM, GA, GN, GQ, GW, ML, MR, NE, SN, TD, TG).

Published:
— without international search report and to be republished upon receipt of that report

For two-letter codes and other abbreviations, refer to the "Guidance Notes on Codes and Abbreviations" appearing at the beginning of each regular issue of the PCT Gazette.

(54) Title: PORTABLE BOOKLIGHT



(57) Abstract: A book-light pack consisting of a case, to which are connected a battery and a long necked lighting element the battery is completely concealed within the case. A groove in the case is to house the neck and the lighting element when lighting is not required. Optionally, an electrical switch is disposed in the book-light pack, in such a configuration that when the lamp and neck are withdrawn, the light is turned on.

WO 2007/102157 A2

PORTABLE BOOKLIGHT

5 TECHNICAL FIELD OF THE INVENTION

The present invention relates to lighting devices specifically accommodated for travelers and for reading under travel conditions.

BRIEF DESCRIPTION OF THE DRAWINGS

Fig. 1 is a schematic description of the of the book light of the invention
10 showing lamp and neck sunken in a recess in the case;

Fig. 2 is a schematic description of the of the book light of the invention showing the other side of the pack of Fig. 1;

Fig. 3 is a schematic isometric view of an embodiment of the invention showing one side of a case with lamp and neck sunk in a recessed case;

15 Fig. 4 is a schematic isometric view of an embodiment of the invention showing one side of a case with lamp and neck drawn out of the recess.

DESCRIPTION OF THE PRESENT INVENTION

A device of the present invention is a pocket-size book light pack featuring a lamp borne on a flexible neck wherein both are insertable in a lamp case. To explain the structural features of an embodiment of a book light of the invention, reference is made to **Fig. 1** in which a book light pack is shown from the lamp side. Flexible neck **20** has two ends, end **22** is the connection end to flat case **24** whereas the other end is connected to lamp **26**. Lamp **26** typically employs an energy efficient lighting element such as a light emitting diode (LED). Turned upside down, the light pack is shown schematically in **Fig. 2**. Battery cover **40** is a removable piece that enables replacing the batteries located inside flat case **24**. Clamp **44** is attached to case **24**, preferably sunken in a recess within.

In general, it is for the benefit of space saving and ease of handling that the book-light pack of the invention is made as thin as possible. Thus the batteries kept inside the case are short, and both main appendages of the pack, namely the lamp along with its neck and the clamp are kept when stored in respective recesses in the case of the pack. Preferably, the book light pack of the invention is produced in the dimensions (depth, length and width) of a credit card so that it can fit in a credit card compartment within a wallet or a purse. In use, the clamp is pulled out of its recess, and inserted over the page to be read such that the clamp is hidden away from the reader, and made to cling to the book cover or to a number of pages by the urge of the clamp. The lamp and neck are at the front side of the pages and can be pulled out to maneuver the lamp into suitable position to shed light as required. This is described

schematically in **Fig. 3** to which reference is now made. Lamp **26** is connected to flexible neck **20**, and both sunk in recess **62** in case **24**. To provide light to an object, the neck **20** is withdrawn from recess **62**.

Optionally, an electrical switch is disposed in the book-light pack, in such a configuration that when the lamp and neck are withdrawn from the recess, the lamp is automatically activated, and vice versa, whenever the lamp is returned to its respective recess, the light is turned off. With regards to the neck of the lamp, the longer it is, the more flexible the angle and the extent to which it can be made to project light.

10

15

20

25

30

35

40

45

5

CLAIMS

1. A book-light pack comprising:

- 10 ▪ a flat case including a first recess on a first side and a second recess on the second side;
- a clamp for holding said case attached to a book, wherein said clamp is either sunken in said second recess, or at least a part of said clamp is extracted from of said second recess, and
- 15 ▪ a lamp attached to a flexible neck wherein both said neck and lamp are in a position selected from two possible states, said states consisting of sunken in said first recess, at least partially withdrawn from said first recess.

20 2. A book light pack as in claim 1 further comprising a switch for turning the light on when said lamp is withdrawn from its respective recess.

3. A book light pack as in claim 1 wherein the dimensions of said case equal to the dimensions of a credit card.

25

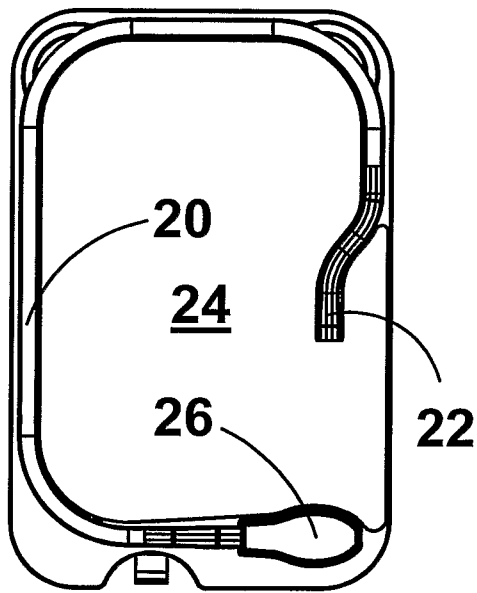


Fig. 1

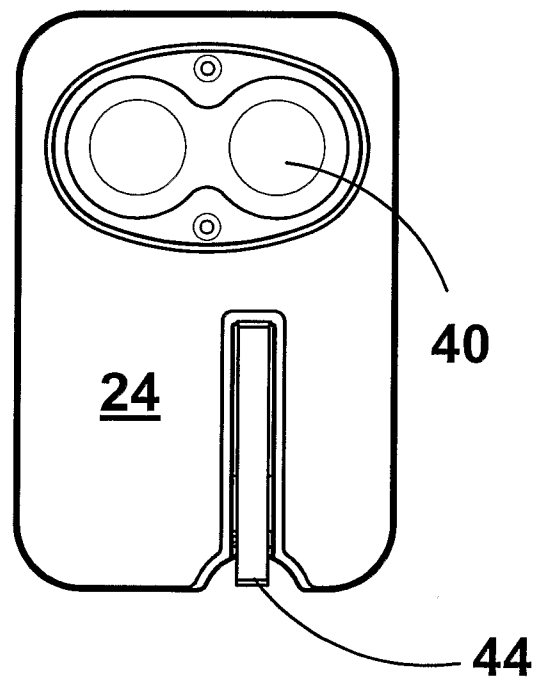


Fig. 2

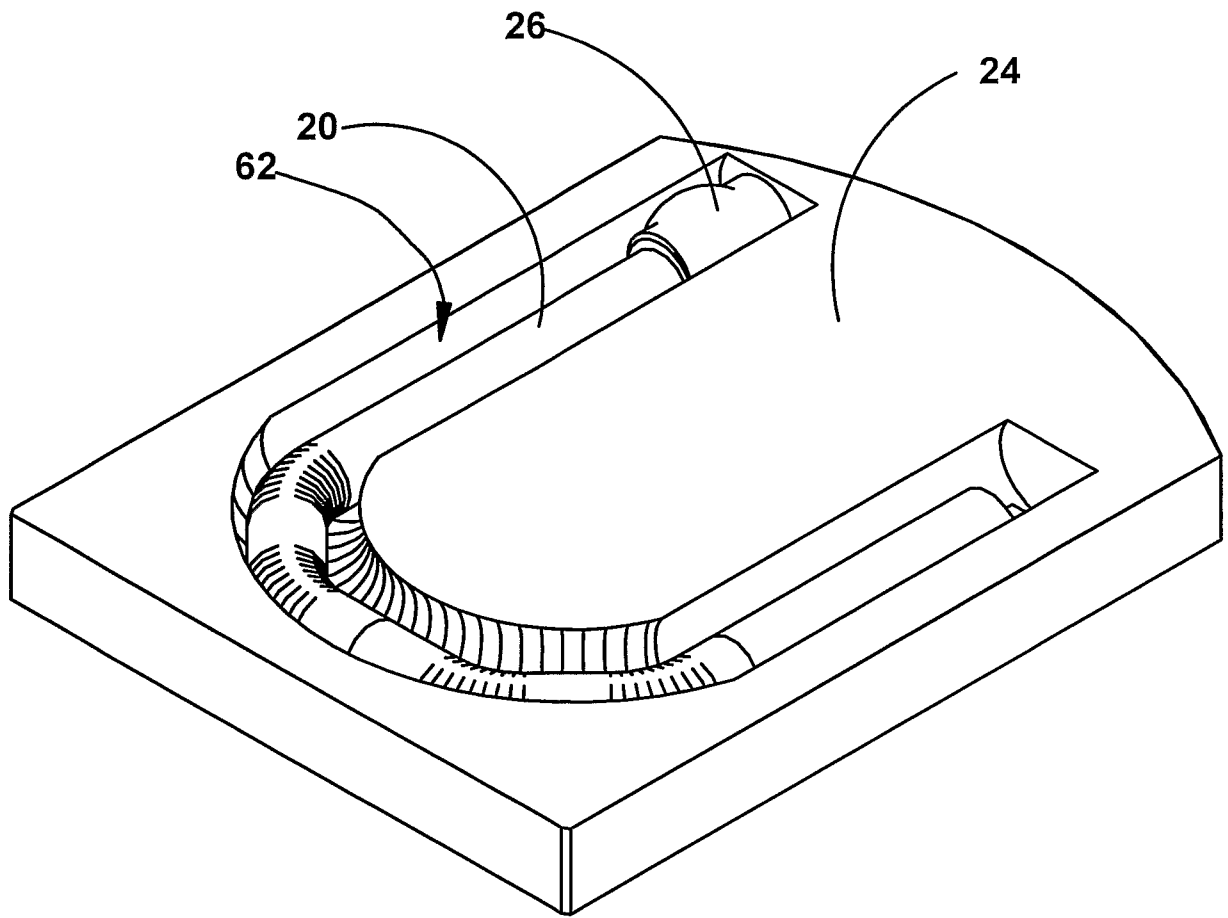


Fig. 3

3/3

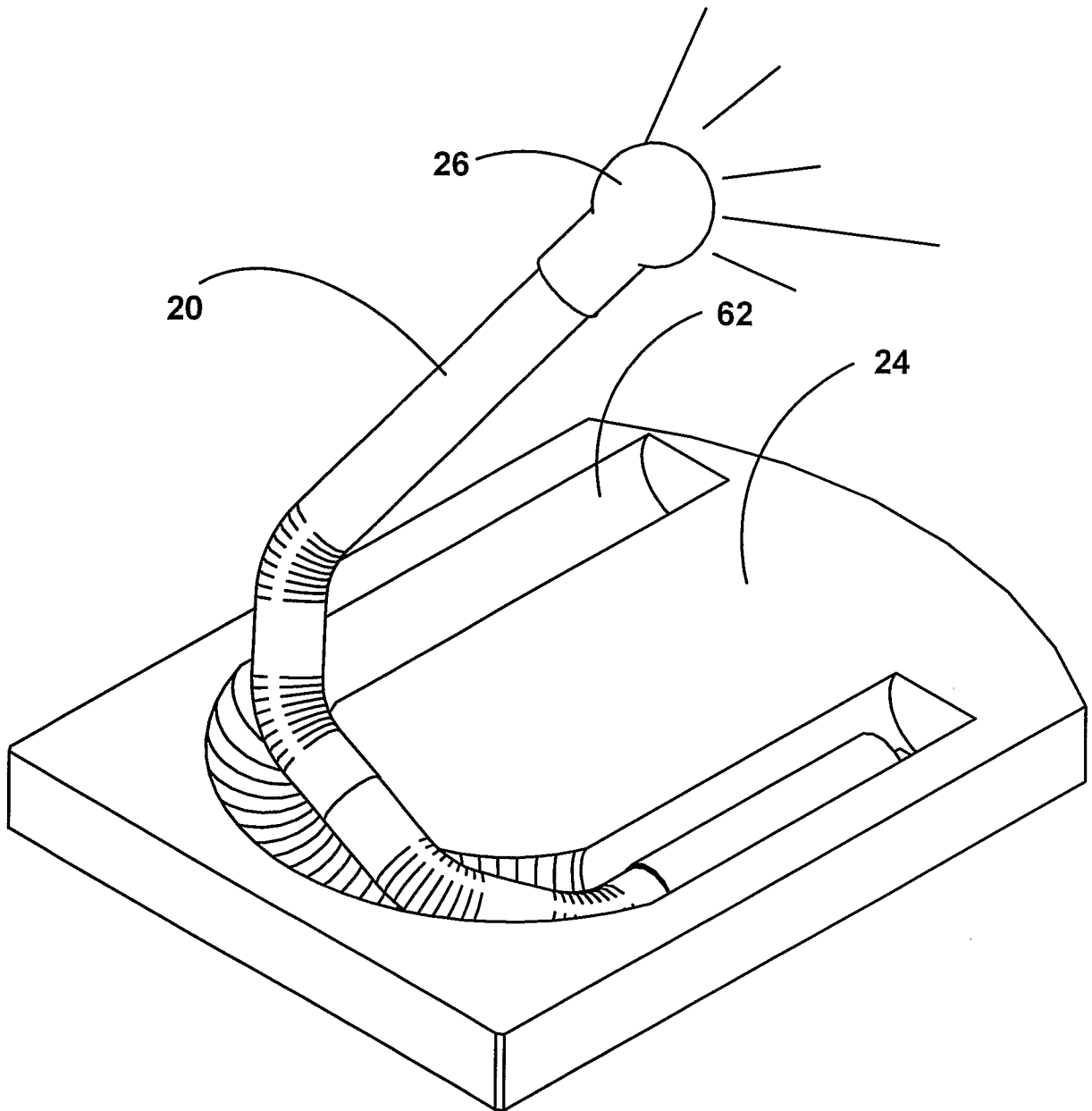


Fig. 4