

(12) **United States Design Patent**  
**Bakshi**

(10) **Patent No.:** **US D830,982 S**  
(45) **Date of Patent:** **\*\* Oct. 16, 2018**

(54) **VIDEO WALL**

**DESCRIPTION**

- (71) Applicant: **Shared Space Studios, LLC**, Bethesda, MD (US)
- (72) Inventor: **Amar Chopra Bakshi**, Bethesda, MD (US)
- (73) Assignee: **Shared Space Studios LLC**, Bethesda, MD (US)
- (\*\*) Term: **15 Years**
- (21) Appl. No.: **29/569,028**
- (22) Filed: **Jun. 23, 2016**
- (51) **LOC (11) Cl.** ..... **14-03**
- (52) **U.S. Cl.** ..... **D14/126**  
USPC ..... **D14/126**
- (58) **Field of Classification Search**  
USPC ..... D14/125–134, 239, 371, 136, 374–377, D14/440, 450, 448, 336, 342, 159;  
(Continued)

FIG. 1 is a front and side perspective view of a video wall in accordance with a first embodiment of the present design illustrating a first orientation of the camera configuration. FIG. 2 is a side perspective view of the camera configuration in FIG. 1, placed in the bezel of the video wall, illustrating an enlarged view of the circled portion of FIG. 1. FIG. 3 is a front and side perspective view of the video wall in accordance with the first embodiment of the present design illustrating a second orientation of the camera configuration. FIG. 4 is a side perspective view of the camera configuration in FIG. 3, placed in the bezel of the video wall, illustrating an enlarged view of the circled portion of FIG. 3. FIG. 5 is a front and side perspective view of the video wall in accordance with the first embodiment of the present design illustrating a third orientation of the camera configuration. FIG. 6 is a side perspective view of the camera configuration in FIG. 5, placed in the bezel of the video wall, illustrating an enlarged view of the circled portion of FIG. 5. FIG. 7 is a front and side perspective view of the video wall in accordance with the first embodiment of the present design. FIG. 8 is a side perspective view of the camera configuration in FIG. 7, placed in the bezel of the video wall, illustrating an enlarged view of the circled portion of FIG. 7. FIG. 9 is a front perspective view of a linear assembly of continuous video walls in accordance with a second embodiment of the present design. FIG. 10 is a front perspective view of a curved assembly of continuous video walls in accordance with the second embodiment of the present design; and, FIG. 11 is a front perspective view of a curved assembly of video walls that are separated from each other in accordance with a third embodiment of the present design. The broken lines shown in the drawings illustrate environment and portions of the present design that form no part of the claimed design.

(56) **References Cited**

U.S. PATENT DOCUMENTS

- 4,717,021 A \* 1/1988 Ditzig ..... G11B 23/0233  
206/387.13
- 5,164,827 A 11/1992 Paff  
(Continued)

FOREIGN PATENT DOCUMENTS

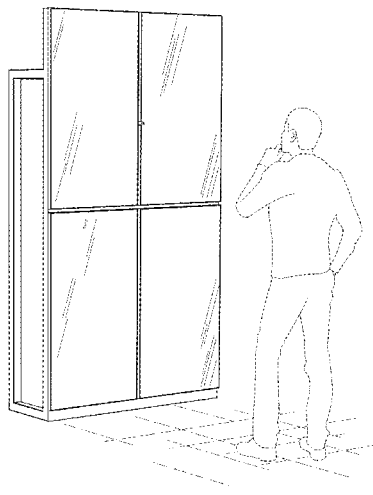
- CA 2782973 A1 6/2010
- CN 103324601 A 9/2013  
(Continued)

*Primary Examiner* — Randall H Gholson  
(74) *Attorney, Agent, or Firm* — Patent Law Works LLP

(57) **CLAIM**

The ornamental design for a video wall, as shown and described.

**1 Claim, 7 Drawing Sheets**



# US D830,982 S

Page 2

(58) **Field of Classification Search**

USPC ..... 312/7.2; 348/836, 838, 180, 184, 325,  
348/739; 248/917-924, 465; 345/104,  
345/133, 156, 168, 87, 173; D21/329,  
D21/515, 577, 622, 333, 433, 448, 452,  
D21/450, 331, 505; D10/15, 26;  
446/484, 175, 356; D6/477, 479, 300;  
D20/10, 19, 39  
CPC ... G06F 1/1601; G06F 1/1643; H05K 5/0004;  
H05K 5/0017; H05K 5/02; H05K 5/0217;  
H04N 13/0459

See application file for complete search history.

(56)

**References Cited**

U.S. PATENT DOCUMENTS

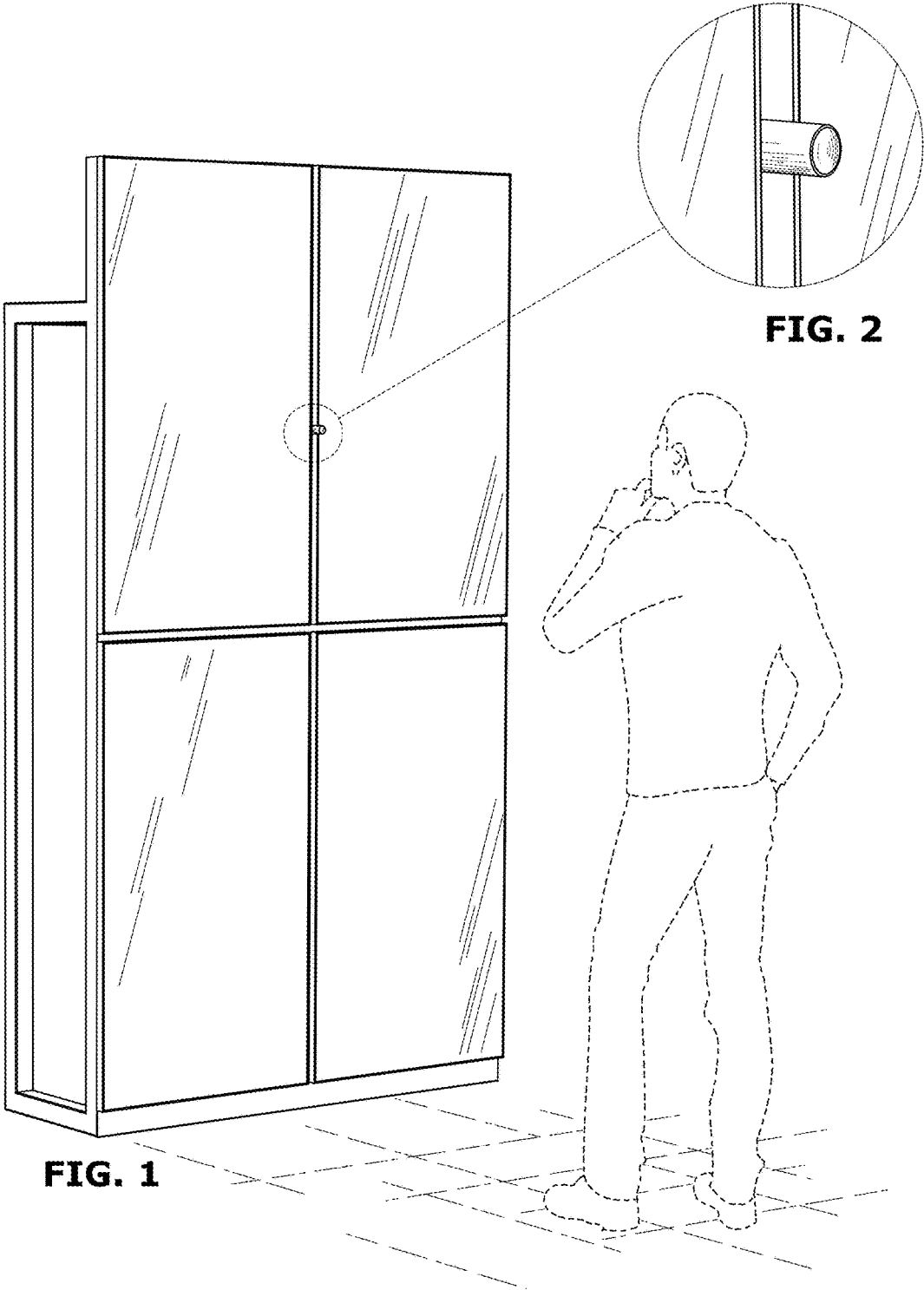
6,205,716 B1 3/2001 Peltz  
6,675,540 B1 1/2004 Rokes  
D618,644 S \* 6/2010 Graham ..... D14/127  
7,870,686 B2\* 1/2011 Hines ..... G09F 19/22  
352/100

8,472,174 B2\* 6/2013 Idems ..... G09F 9/30  
361/679.21  
8,593,578 B1\* 11/2013 Geronimi ..... G06F 3/1431  
345/1.1  
8,621,787 B2 1/2014 Barry et al.  
8,955,258 B2 2/2015 Jacques et al.  
8,996,392 B2\* 3/2015 Cashman ..... E04H 1/1205  
705/2  
9,052,536 B2\* 6/2015 Artwohl ..... A47F 3/0434  
2006/0150530 A1 7/2006 Davey  
2007/0214729 A1 9/2007 Moore  
2007/0253057 A1 11/2007 Potsaid et al.  
2009/0031642 A1 2/2009 Donovan  
2011/0007073 A1 1/2011 Belt  
2011/0075361 A1\* 3/2011 Nakamichi ..... G09F 9/35  
361/695  
2011/0122063 A1 5/2011 Perlman

FOREIGN PATENT DOCUMENTS

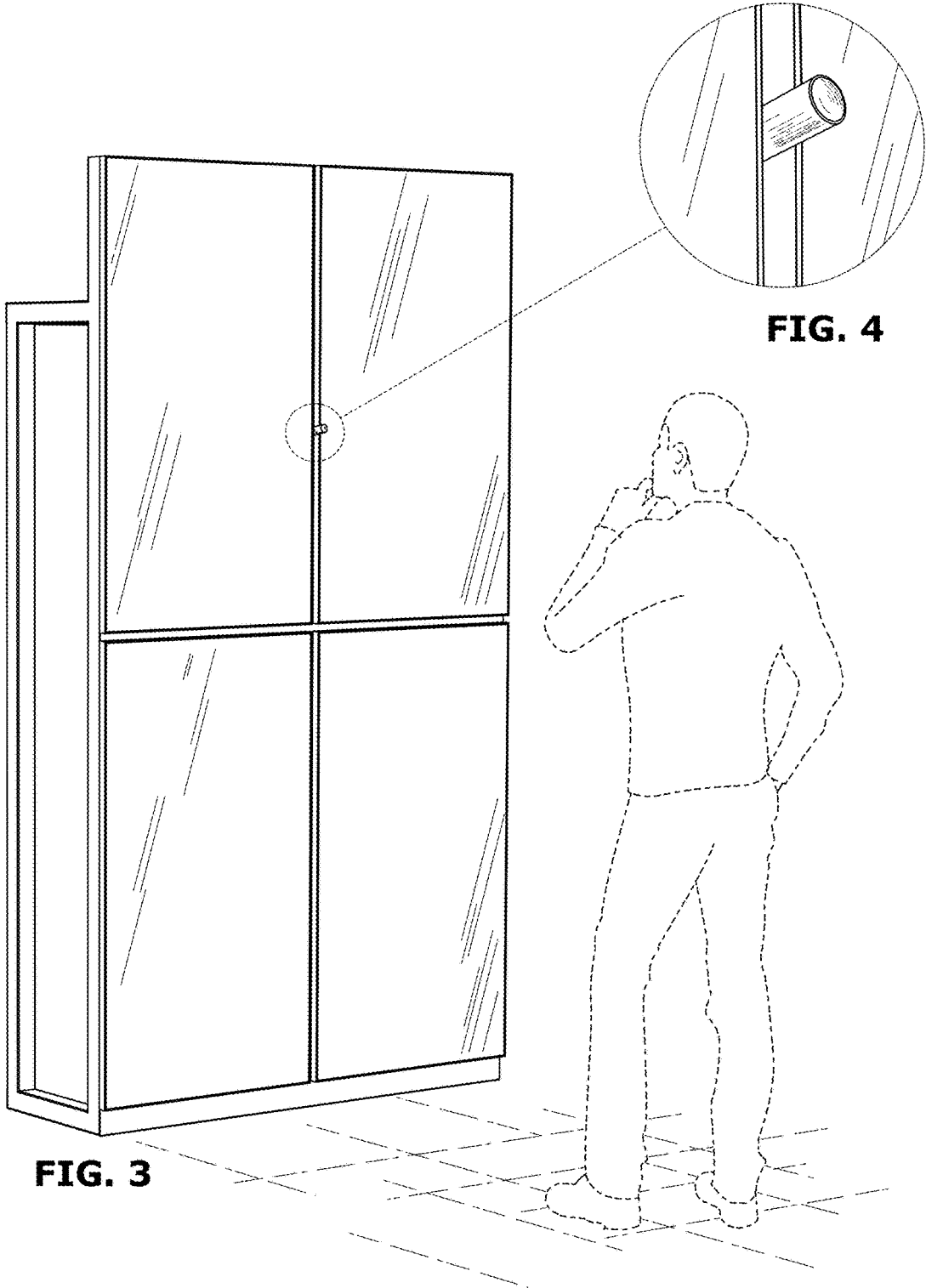
GB 2391022 A 1/2004  
WO 2013004985 A1 1/2013

\* cited by examiner



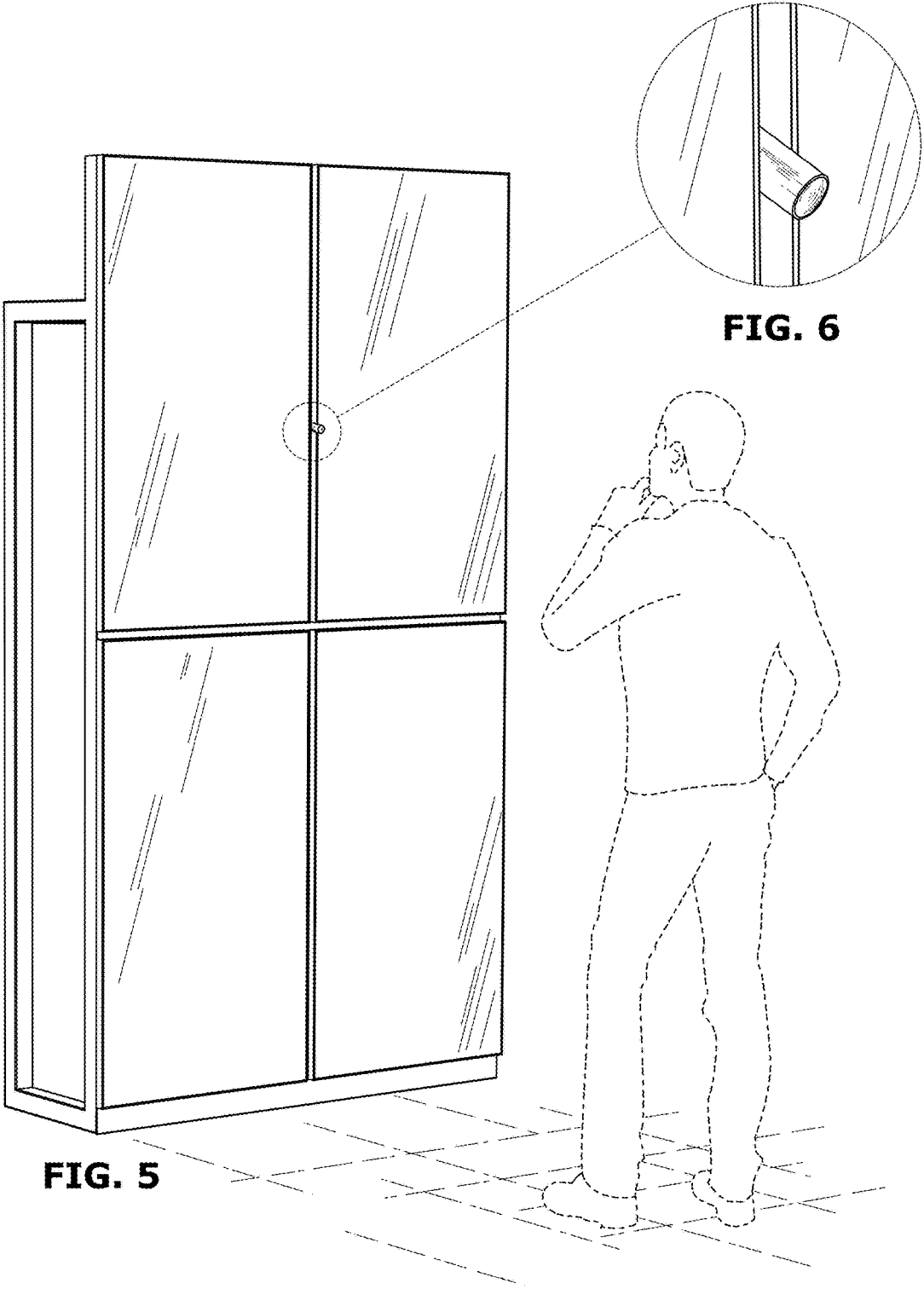
**FIG. 1**

**FIG. 2**



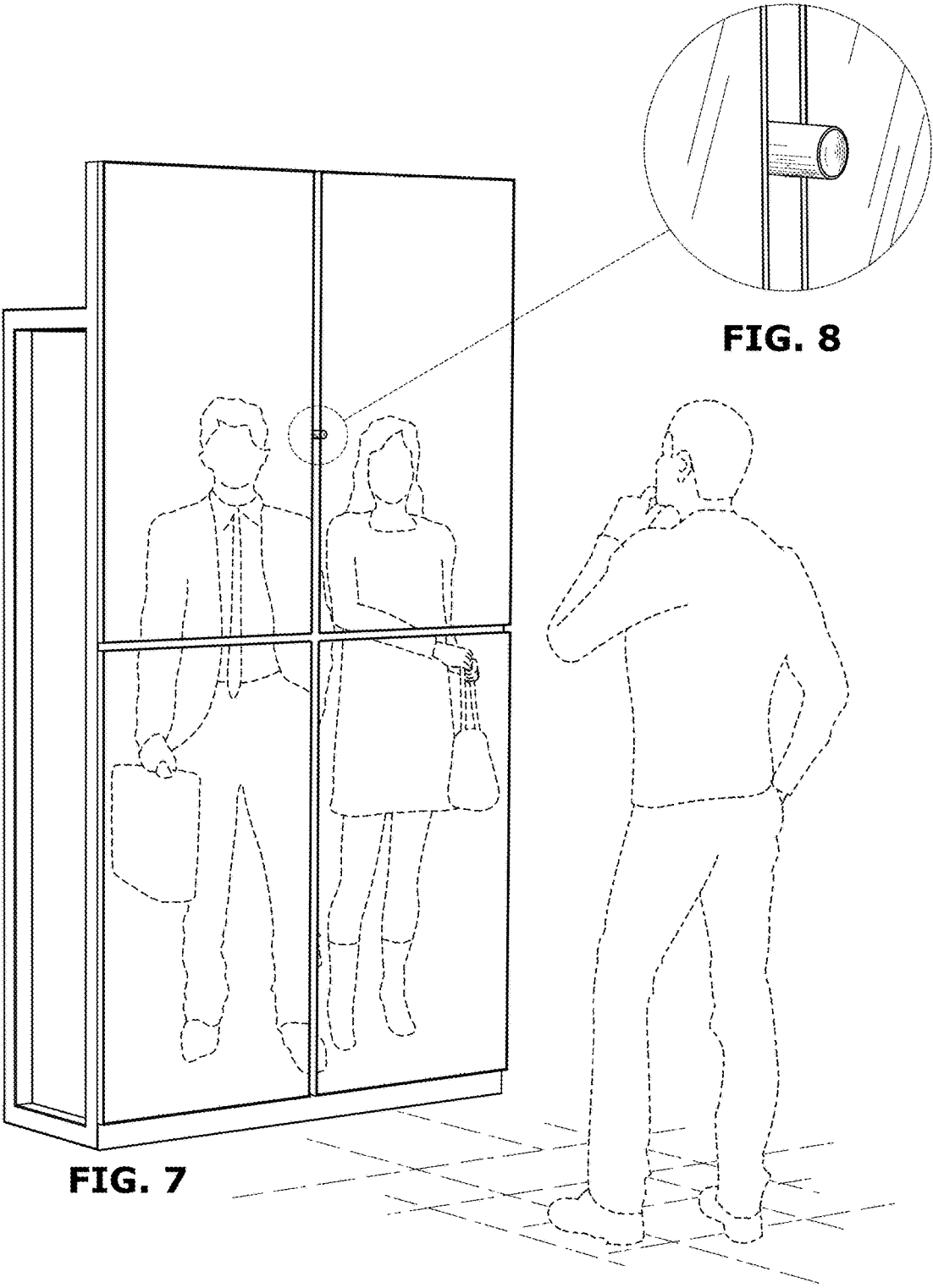
**FIG. 3**

**FIG. 4**



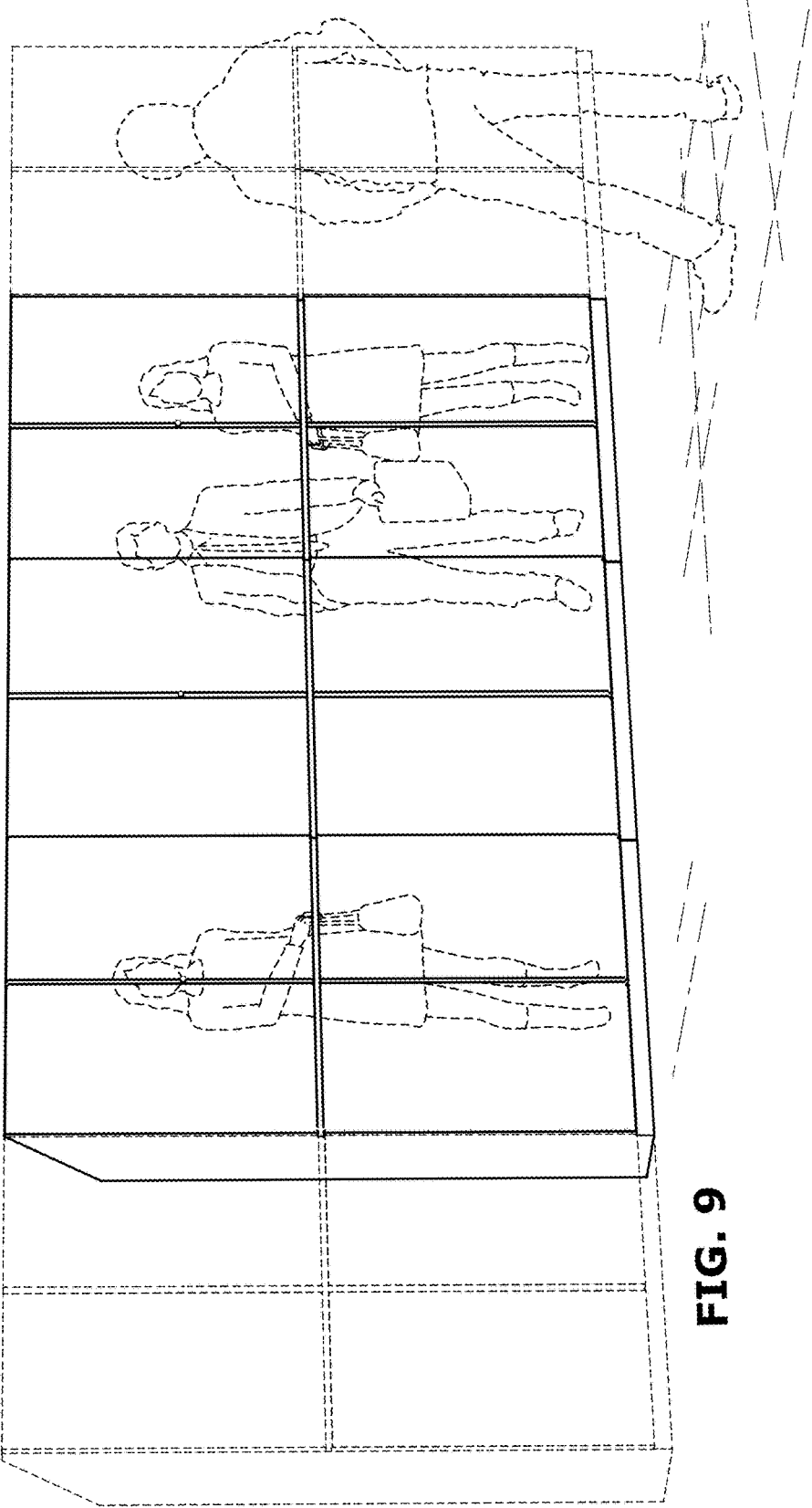
**FIG. 5**

**FIG. 6**

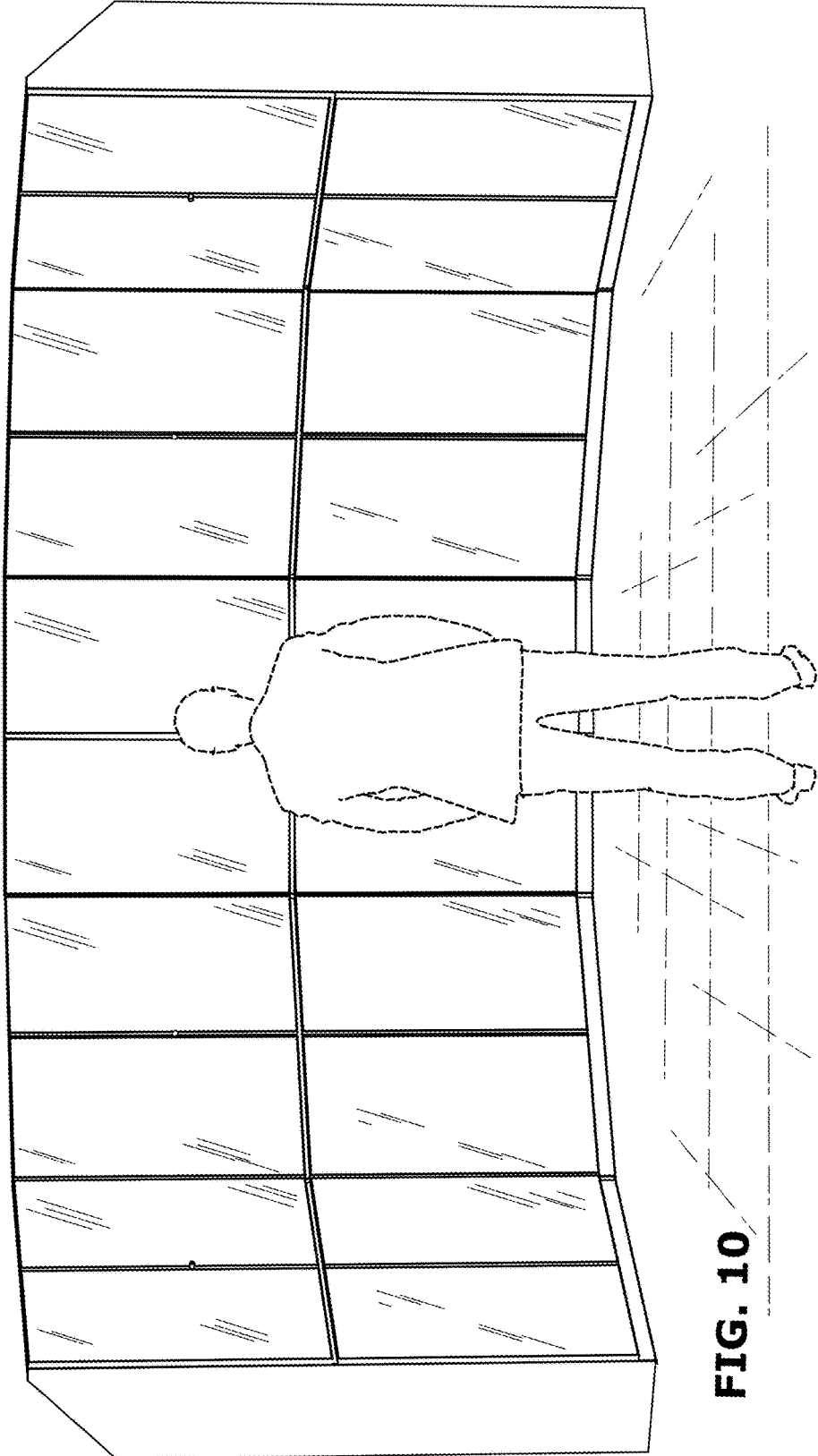


**FIG. 7**

**FIG. 8**



**FIG. 9**



**FIG. 10**

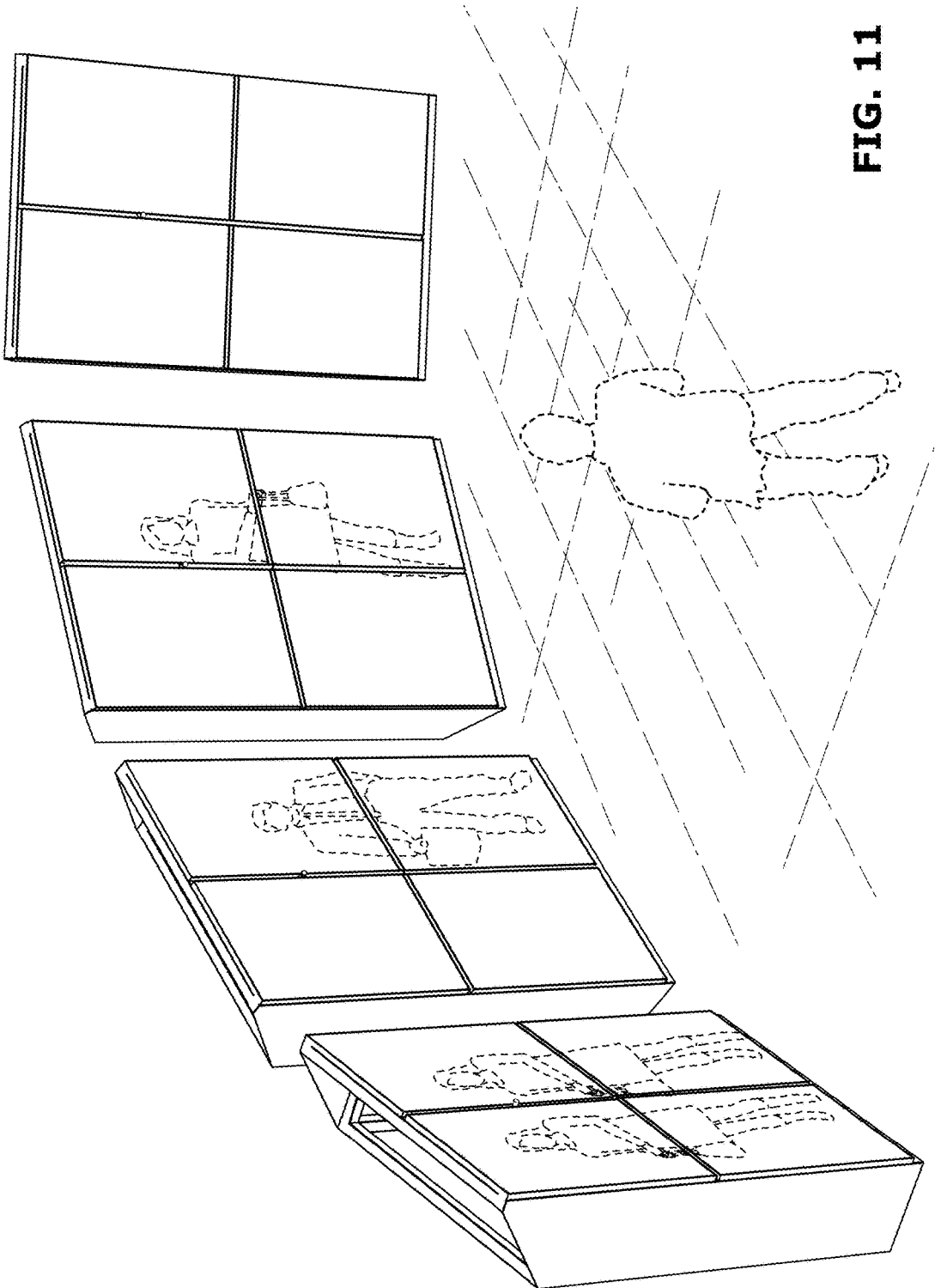


FIG. 11