



(12) **United States Design Patent**
Yu

(10) **Patent No.:** **US D1,035,166 S**
(45) **Date of Patent:** **** Jul. 9, 2024**

(54) **PET CAGE**

OTHER PUBLICATIONS

(71) Applicants: **Yongquan Yu**, Huzhou (CN); **Liuzhu Chen**, Zhumadian (CN); **Jun Qian**, Ningbo (CN)

Luckitty Outdoor Rainbow Cat Enclosures, posted at amazon.com, earliest date available on Nov. 29, 2022, [online], acquired on Aug. 10, 2023, Available on internet. url:https://www.amazon.com/LUCKITTY-Outdoor-Enclosures-Playground-Portable/dp/B0BNKPWN5C (Year: 2022).*

(72) Inventor: **Yongquan Yu**, Huzhou (CN)

(Continued)

(73) Assignees: **Yongquan Yu**, Huzhou (CN); **Liuzhu Chen**, Zhumadian (CN); **Jun Qian**, Ningbo (CN)

Primary Examiner — Sheryl Lane

Assistant Examiner — Aula Soroush

(**) Term: **15 Years**

(74) *Attorney, Agent, or Firm* — Jeenam Park

(21) Appl. No.: **29/841,635**

(22) Filed: **Jun. 7, 2022**

(51) **LOC (14) Cl.** **30-02**

(57) **CLAIM**

(52) **U.S. Cl.**
USPC **D30/108**

The ornamental design for a pet cage, as shown and described.

(58) **Field of Classification Search**
USPC D21/834-840; D25/31-32;
D30/108-109

DESCRIPTION

CPC A01K 15/02; A01K 15/027; A01K 1/0254;
A01K 1/0236; A01K 1/0281; A01K
1/034; A01K 1/00; A01K 1/02; A01K
1/0272; A01K 1/0035; A01K 1/033;
A47D 15/008; A47D 9/005; A63H
33/008; E04H 15/006; E04H 15/48
See application file for complete search history.

FIG. 1 is a perspective view of a pet cage, showing my new design;
FIG. 2 is another perspective view thereof;
FIG. 3 is a front view thereof;
FIG. 4 is a rear view thereof;
FIG. 5 is a left side view thereof;
FIG. 6 is a right side view thereof;
FIG. 7 is a top plan view thereof;
FIG. 8 is a bottom plan view thereof;
FIG. 9 is an enlarged view of portion of FIG. 1 thereof;
FIG. 10 is an enlarged view of portion of FIG. 1 thereof;
FIG. 11 is an enlarged view of portion of FIG. 1 thereof;
FIG. 12 is an enlarged view of portion of FIG. 2 thereof; and
FIG. 13 is an enlarged view of portion of FIG. 2.
The dot-dash lines enclosing the enlarged portions are for depicting the boundary lines of the enlarged views and form no part of the claimed design.

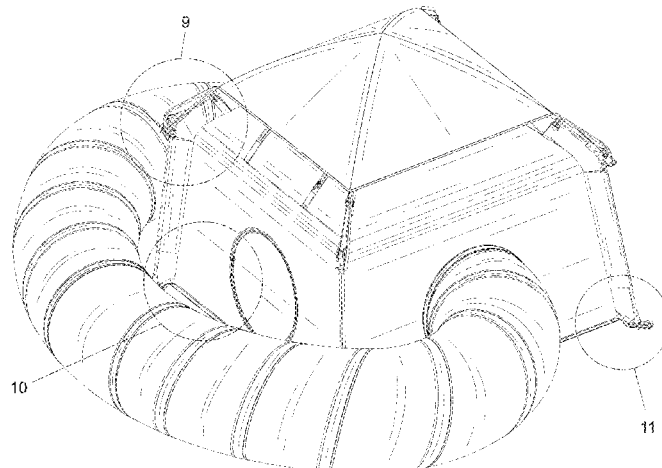
(56) **References Cited**

U.S. PATENT DOCUMENTS

4,739,527	A *	4/1988	Kohus	A47D 13/066
					5/99.1
5,394,897	A *	3/1995	Ritchey	E04H 15/18
					52/79.8
5,425,677	A *	6/1995	Gleeson	A63B 9/00
					472/136
5,618,246	A *	4/1997	Zheng	A63B 9/00
					D21/826
D379,209	S *	5/1997	Coddington, Jr.	D21/419
D397,756	S *	9/1998	Hagerty	D21/834
D429,307	S *	8/2000	Wu	D21/834

(Continued)

1 Claim, 13 Drawing Sheets



(56)

References Cited

U.S. PATENT DOCUMENTS

6,253,712 B1 * 7/2001 Johnson F16L 11/18
 285/261
 6,565,405 B2 * 5/2003 Hsu A63H 33/008
 446/478
 D501,063 S * 1/2005 Bertoli D30/108
 D597,264 S * 7/2009 Hsieh D30/118
 D692,083 S * 10/2013 Toland D21/834
 D864,333 S * 10/2019 Wu D21/834
 10,512,245 B2 * 12/2019 Hazouri-Yearly A45C 7/0063
 D914,297 S * 3/2021 Huang D30/109
 D914,298 S * 3/2021 Huang D30/109
 D916,223 S * 4/2021 Chen D21/834
 D923,255 S * 6/2021 Yin D30/108
 11,213,764 B1 * 1/2022 Li A63H 33/008
 D961,712 S * 8/2022 Qiu D21/834
 11,439,120 B2 * 9/2022 Hazouri-Yearly A01K 1/029
 D971,526 S * 11/2022 Huang D30/160
 D982,853 S * 4/2023 Huang D30/160
 D994,230 S * 8/2023 Yu D30/160

D994,992 S * 8/2023 Yu D30/160
 2003/0003840 A1 * 1/2003 Hsu A63B 5/11
 446/221
 2003/0022761 A1 * 1/2003 Brereton A63B 9/00
 482/35
 2015/0038269 A1 * 2/2015 Kenny A63B 69/0071
 473/422
 2017/0114566 A1 * 4/2017 Zheng A63H 33/26
 2018/0214728 A1 * 8/2018 Ben Meir E04H 4/0056
 2019/0021275 A1 * 1/2019 Chaudhry A01K 1/029
 2022/0282516 A1 * 9/2022 Hanley E04H 15/22

OTHER PUBLICATIONS

Mami&Babi Outdoor Cat Enclosures for Indoor Cats, posted at amazon.com, earliest date available on Jun. 20, 2023, [online], acquired on Aug. 10, 2023, Available on internet. https://www.amazon.com/MAMI-BABI-Enclosures-Foldable-Enclosure/dp/B0C68K62PL/ref=cm_cr_arp_d_product_top?ie=UTF8 (Year: 2023).*

* cited by examiner

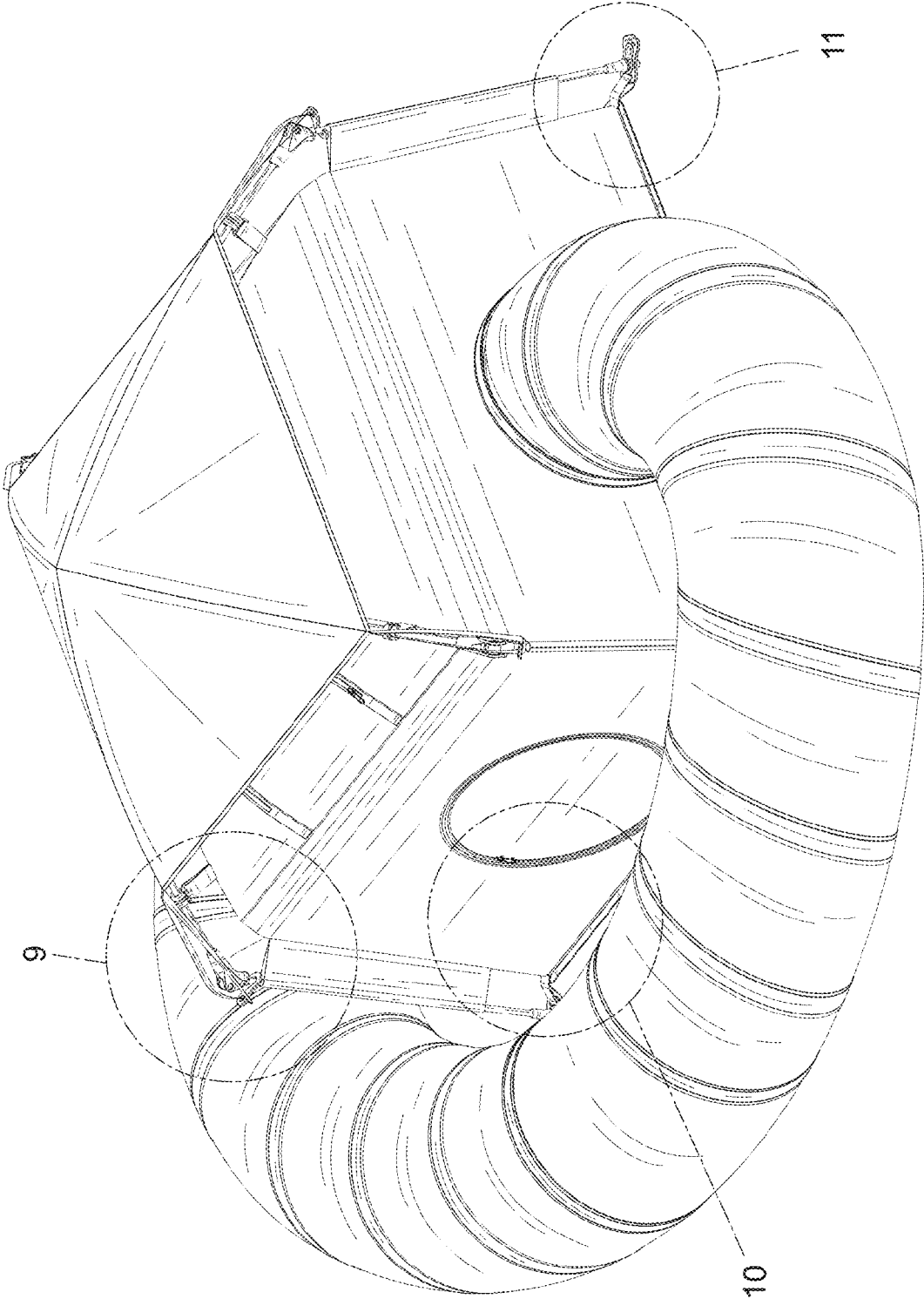


FIG. 1

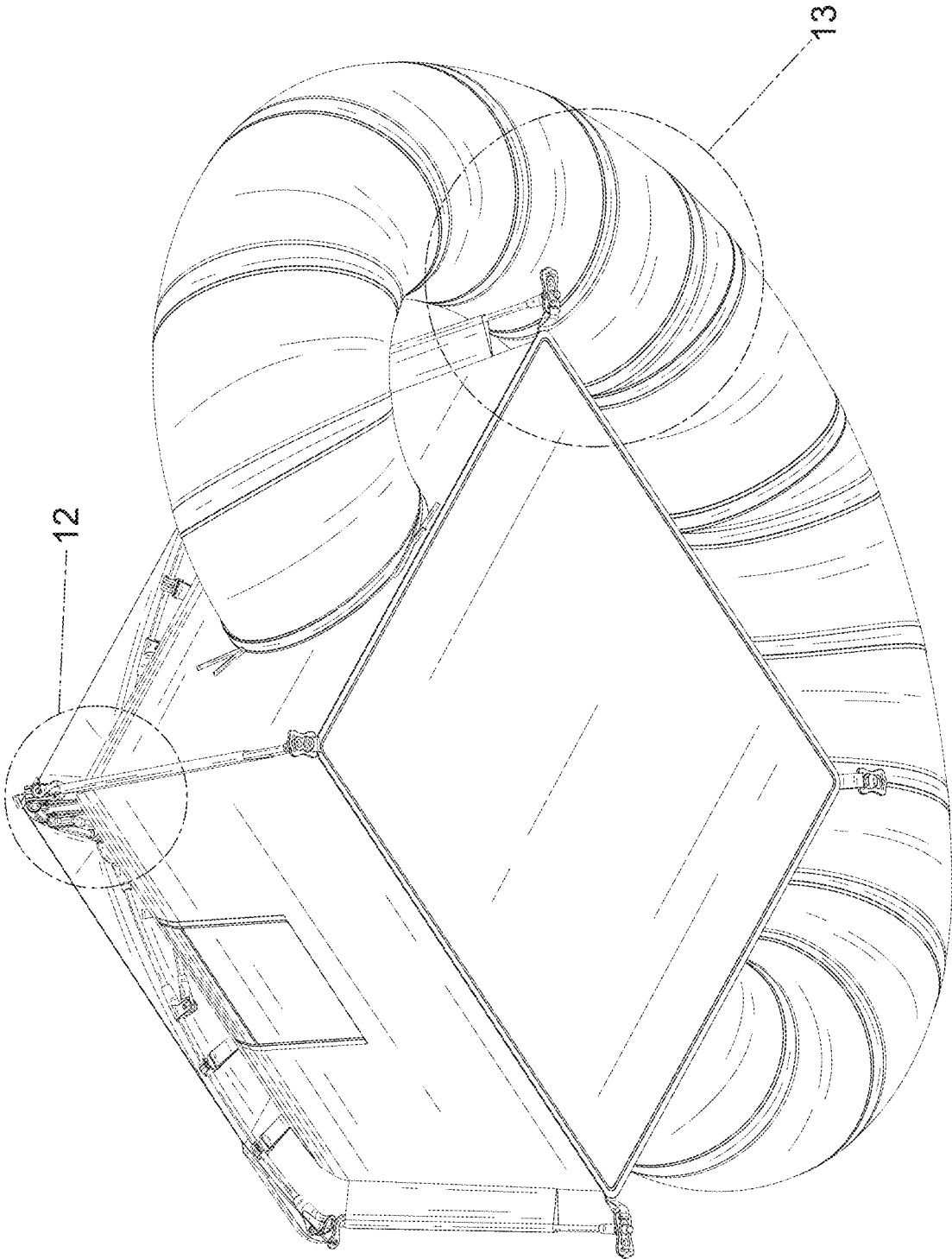


FIG. 2

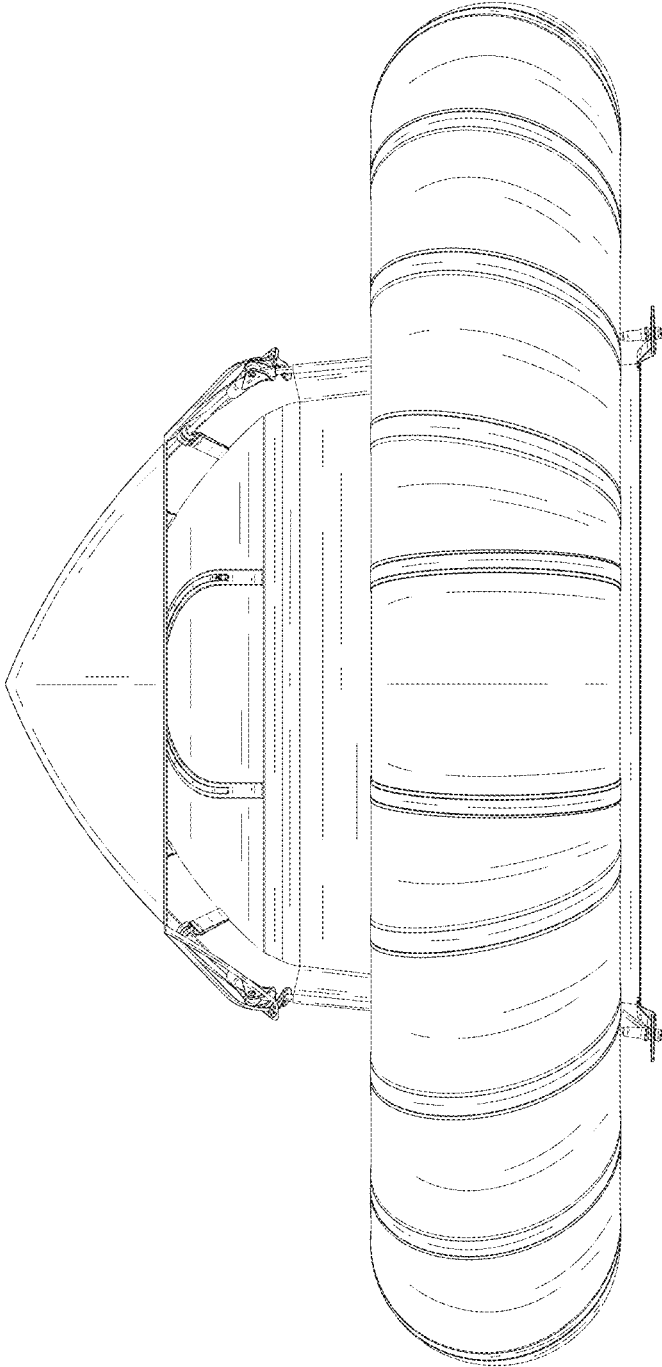


FIG. 3

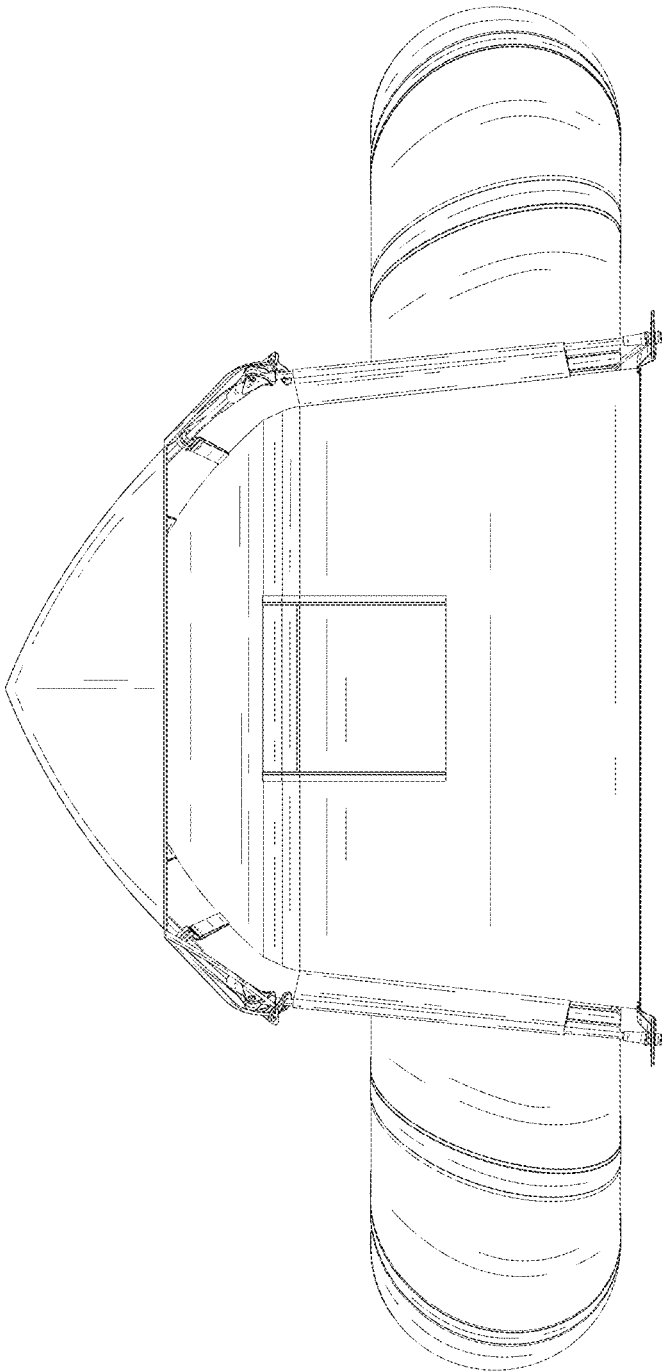


FIG. 4

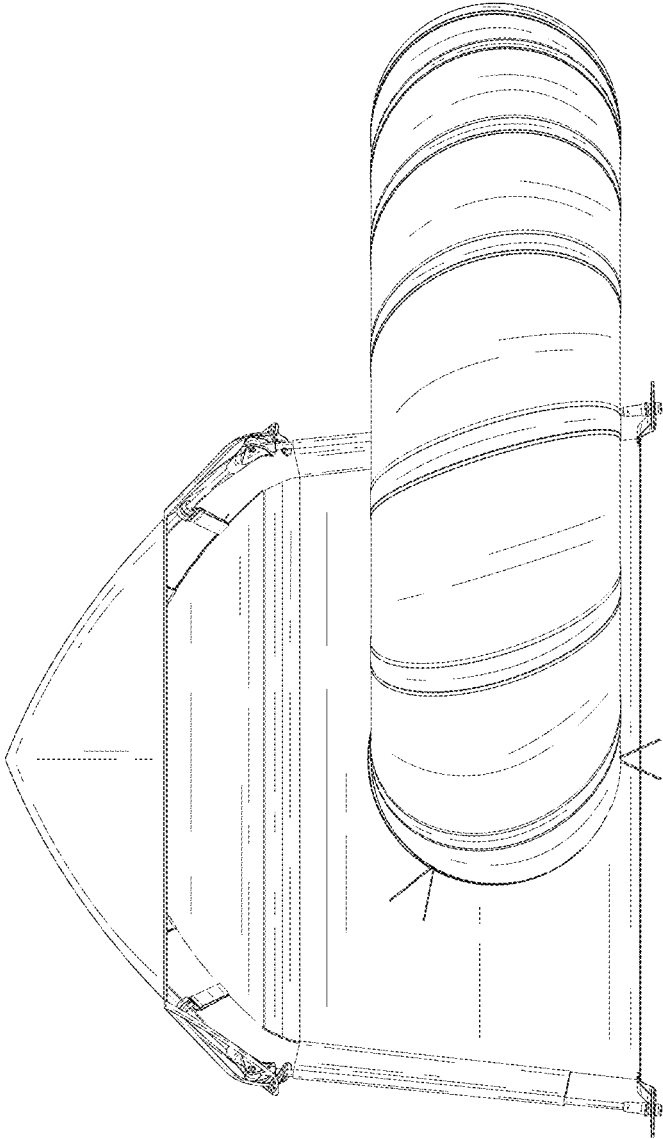


FIG. 5

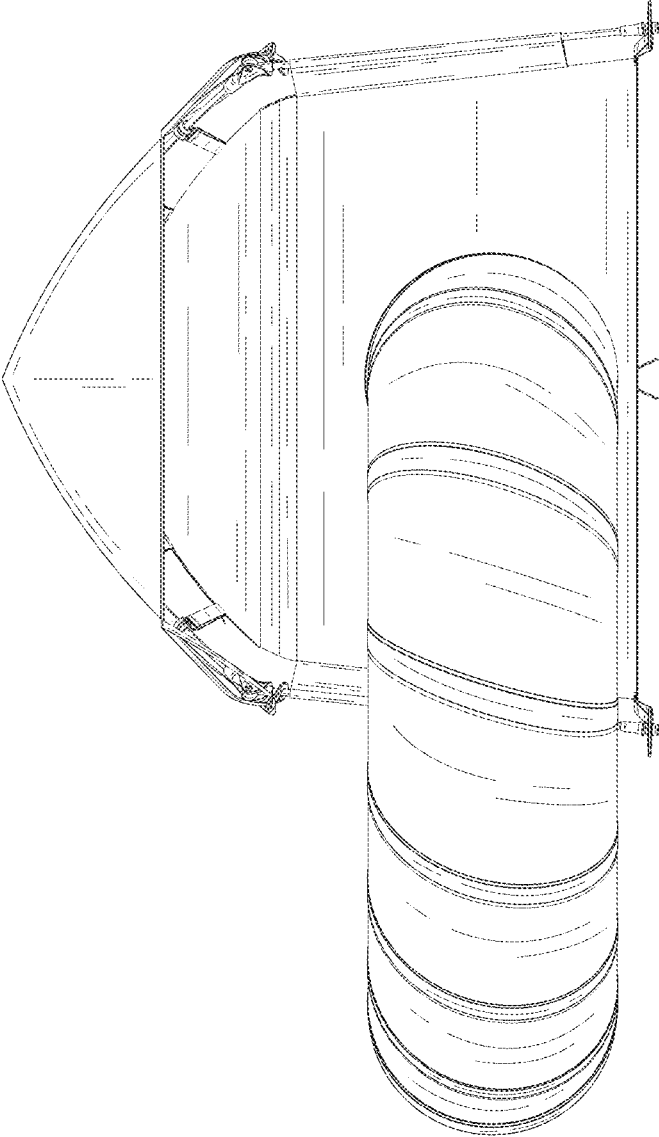


FIG. 6

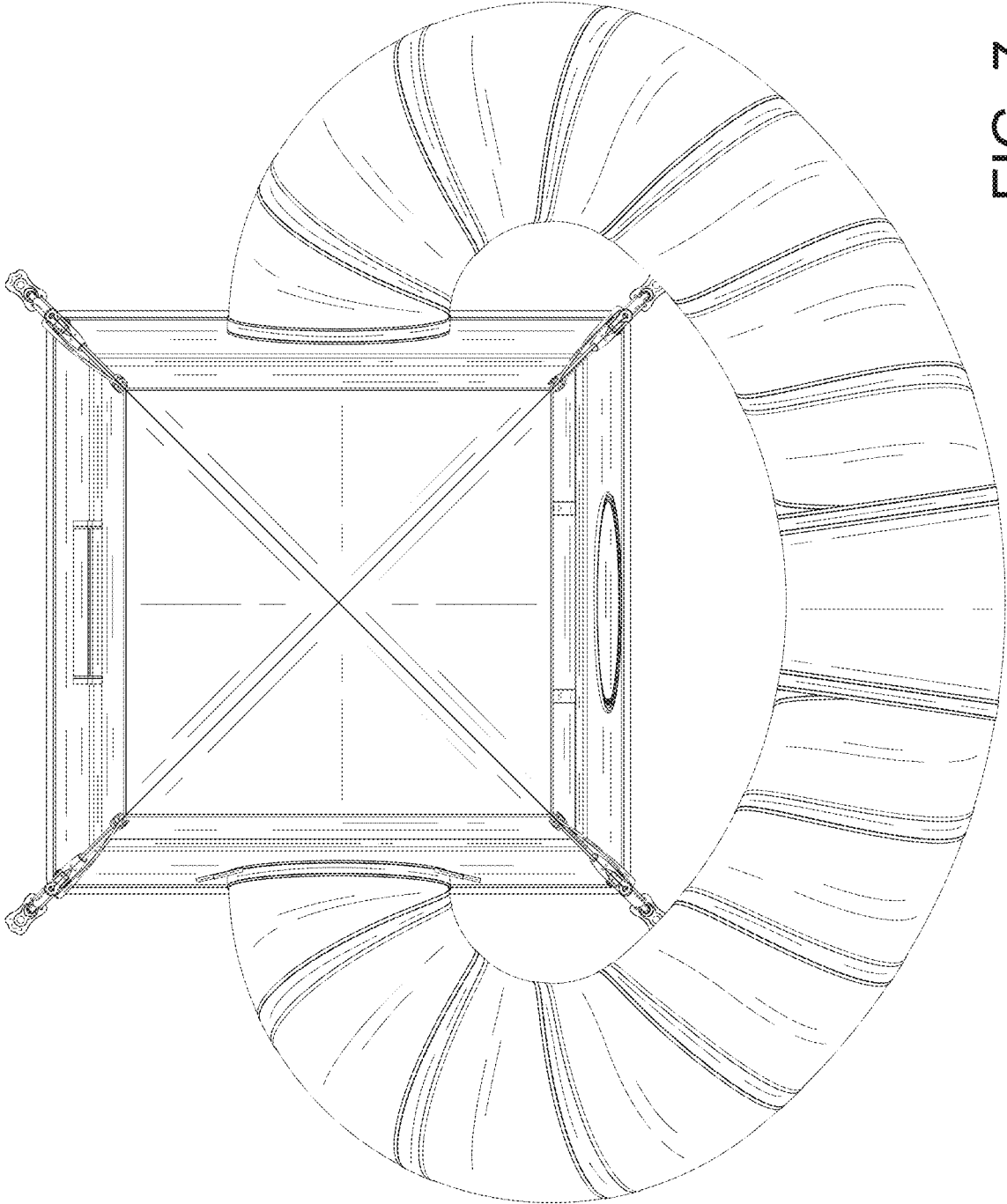


FIG. 7

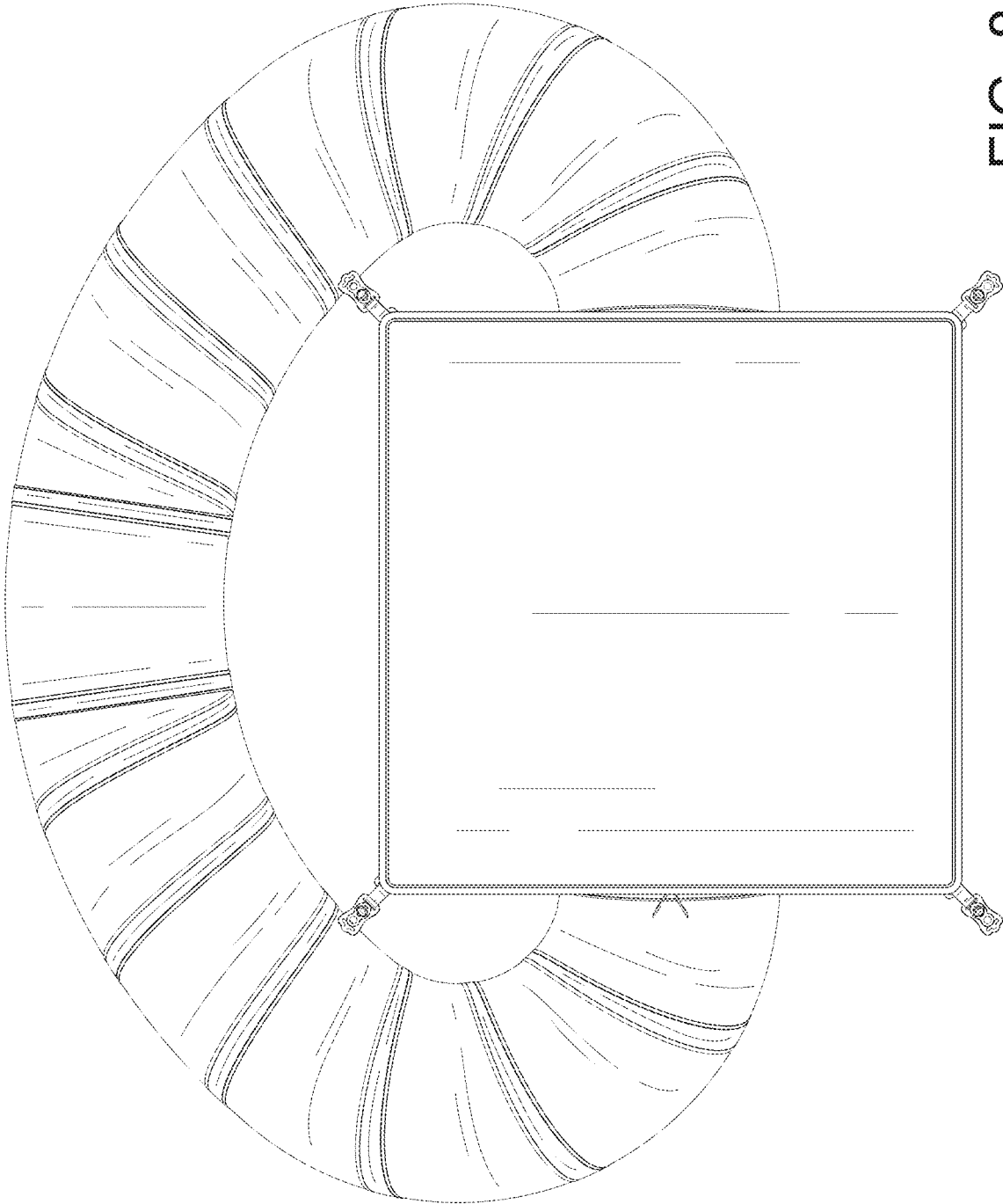


FIG. 8

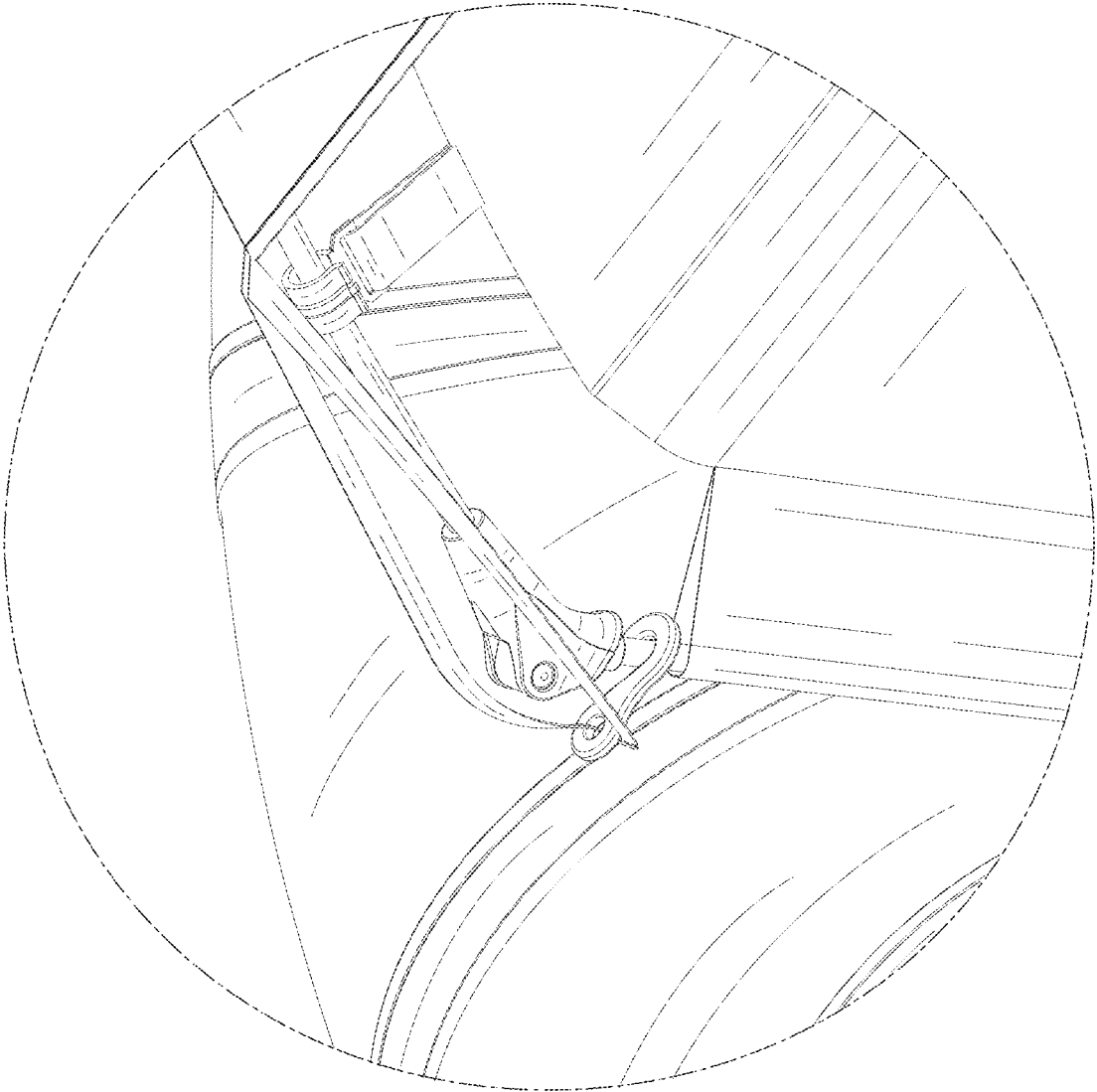


FIG. 9

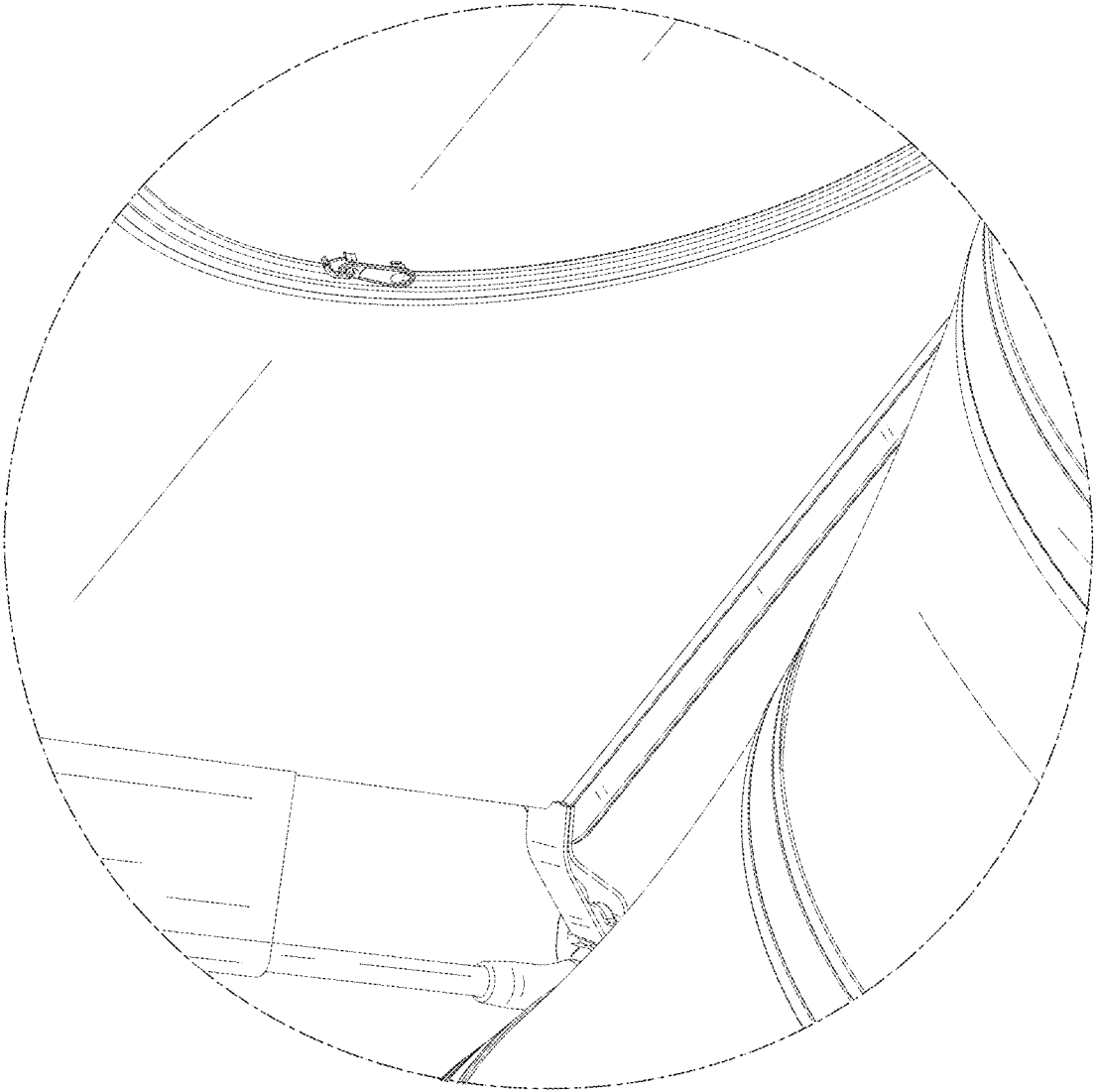


FIG. 10

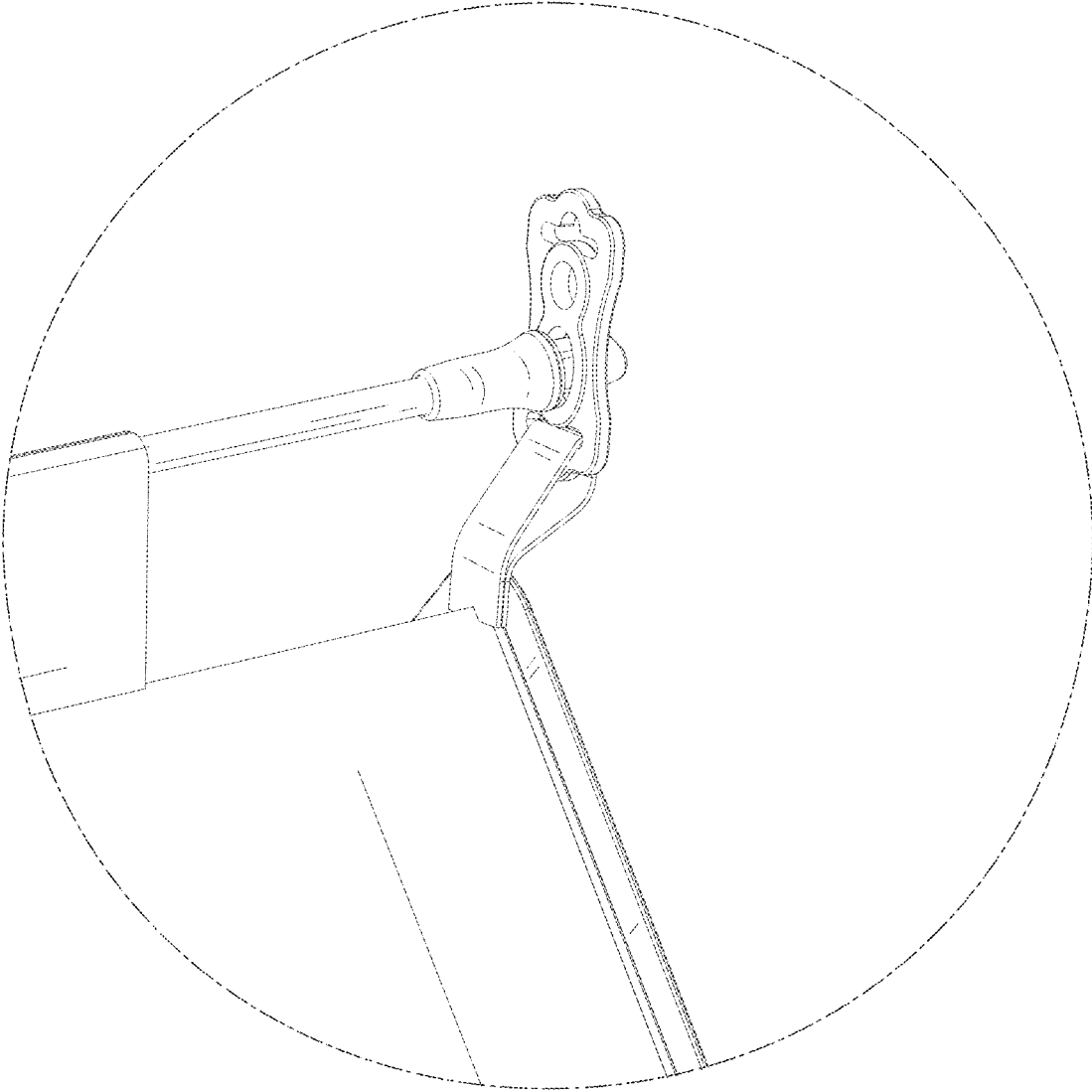


FIG. 11

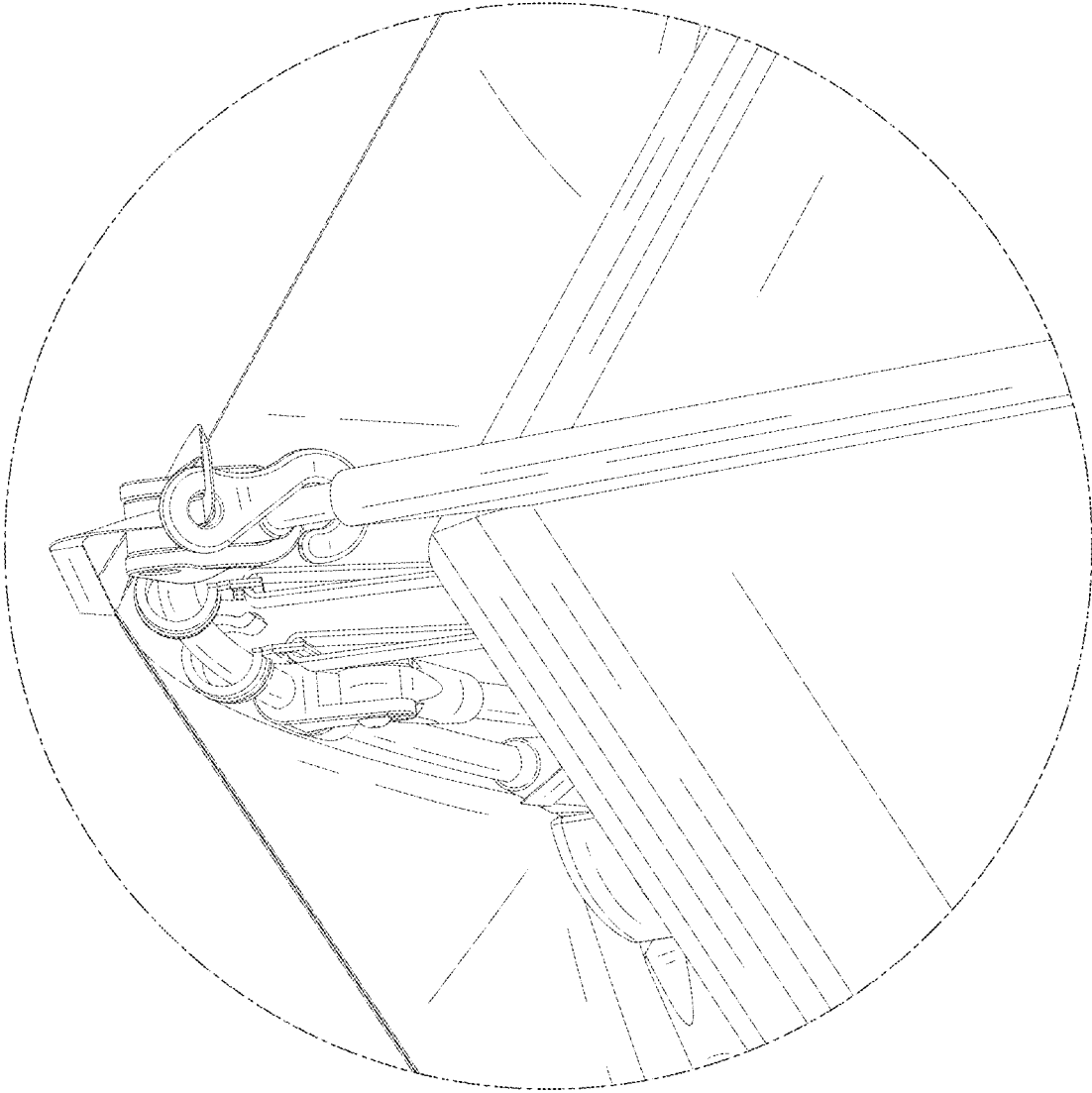


FIG. 12

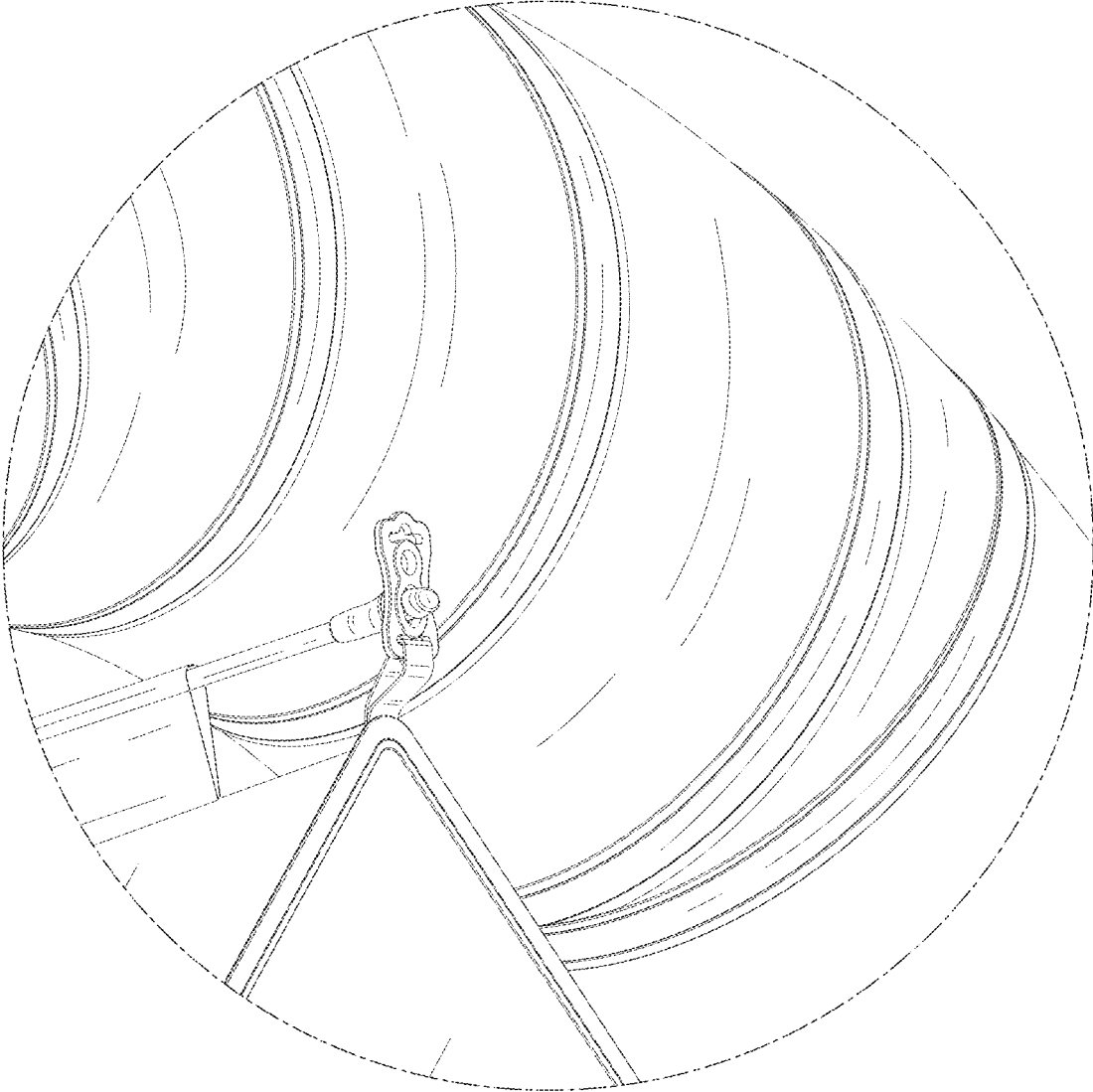


FIG. 13