



US00D799629S

(12) **United States Design Patent**
Barrett

(10) **Patent No.:** **US D799,629 S**

(45) **Date of Patent:** **** Oct. 10, 2017**

(54) **FIREARM**

(71) Applicant: **Ronnie Barrett**, Murfreesboro, TN (US)

(72) Inventor: **Ronnie Barrett**, Murfreesboro, TN (US)

(**) Term: **14 Years**

(21) Appl. No.: **29/504,851**

(22) Filed: **Oct. 9, 2014**

(51) **LOC (10) Cl.** **22-01**

(52) **U.S. Cl.**
USPC **D22/103**

(58) **Field of Classification Search**
USPC D22/103
CPC F41C 23/10; F41C 23/14; F41C 23/16;
F41C 23/18; F41C 23/00; F41C 27/00;
F41C 27/06; F41A 5/18; F41A 5/24;
F41A 21/28

See application file for complete search history.

(56) **References Cited**

U.S. PATENT DOCUMENTS

2,088,268 A	7/1937	Lauf
2,141,537 A	12/1938	Laloux
3,198,076 A	8/1965	Stoner et al.
3,342,171 A	9/1967	James et al.
3,386,336 A	6/1968	Roy
3,688,641 A	9/1972	Curtis
3,731,588 A	5/1973	Curtis
3,791,256 A	2/1974	Curtis
3,830,003 A	8/1974	Clerke
3,999,461 A	12/1976	Johnson et al.
4,066,000 A	1/1978	Rostocil
4,351,224 A	9/1982	Curtis
4,463,654 A	8/1984	Barnes et al.
4,553,469 A	11/1985	Atchisson

4,596,084 A	6/1986	Martial
4,601,123 A	7/1986	Swearengen
4,654,993 A	4/1987	Atchisson
4,663,876 A	5/1987	Reaume
4,677,781 A	7/1987	Lee
4,693,170 A	9/1987	Atchisson
4,869,008 A	9/1989	Rasmussen
4,872,391 A	10/1989	Stoner
4,893,547 A	1/1990	Atchisson

(Continued)

OTHER PUBLICATIONS

<https://www.youtube.com/watch?v=8xusEBOCeds>[Mar. 23, 2016 2:10:41 PM].*

(Continued)

Primary Examiner — Michael A Pratt
(74) *Attorney, Agent, or Firm* — Patterson Intellectual Property Law, P.C.; Ryan D. Levy

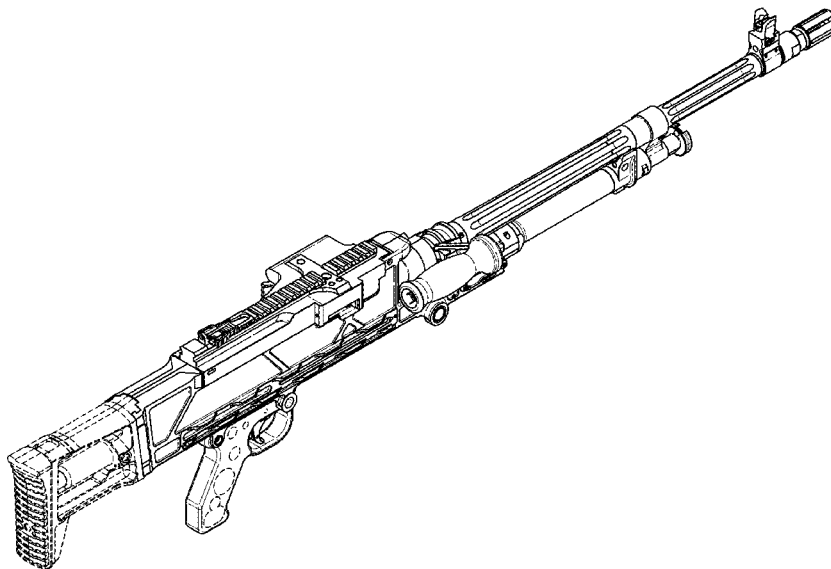
(57) **CLAIM**

What is claimed is the ornamental design for a firearm, as shown and described.

DESCRIPTION

FIG. 1 is a top perspective view showing the firearm of Applicant's invention.
FIG. 2 is a bottom perspective view of the firearm of Applicant's invention.
FIG. 3 is a front view of the firearm of Applicant's invention.
FIG. 4 is a back view of the firearm of Applicant's invention.
FIG. 5 is a side view of the firearm of Applicant's invention.
FIG. 6 is a side view of the firearm of Applicant's invention.
FIG. 7 is a top view of the firearm of Applicant's invention; and,
FIG. 8 is a bottom view of the firearm of Applicant's invention.

1 Claim, 5 Drawing Sheets



(56)

References Cited

U.S. PATENT DOCUMENTS

5,195,226 A 3/1993 Bornancini
 5,256,100 A 10/1993 Wang
 5,440,099 A 8/1995 Smith
 6,250,194 B1 6/2001 Brandi
 6,695,676 B2 2/2004 Blake
 7,258,055 B1* 8/2007 Javorsky F41A 23/04
 42/94
 7,356,958 B2 4/2008 Weir
 7,676,977 B1 3/2010 Cahill
 7,937,877 B2* 5/2011 Barrett F41A 3/66
 42/75.1
 7,950,178 B1* 5/2011 Landies F41A 19/27
 42/69.01
 8,104,213 B2 1/2012 Keng
 8,316,570 B2 11/2012 Potterfield
 8,402,684 B1 3/2013 Beltz
 D682,973 S* 5/2013 KasanJian-King D22/108
 8,448,369 B2 5/2013 Hinds
 8,496,212 B2 7/2013 Keng
 8,615,915 B2 12/2013 Hunter
 8,782,940 B1 7/2014 Morris
 9,015,981 B2 4/2015 Zamlinsky
 9,341,441 B2 5/2016 Cheng
 2003/0196366 A1 10/2003 Beretta
 2006/0048426 A1 3/2006 Crandall
 2007/0033850 A1 2/2007 Murello et al.
 2008/0092732 A1* 4/2008 Becker F41A 27/06
 89/37.03
 2008/0229642 A1 9/2008 Hu
 2009/0126250 A1 5/2009 Keng
 2011/0283582 A1 11/2011 Hunter et al.
 2012/0144985 A1 6/2012 Beville et al.
 2013/0185975 A1 7/2013 Johnson
 2014/0115940 A1 5/2014 Bonelli
 2014/0190059 A1 7/2014 Ballard
 2015/0020429 A1* 1/2015 Savoy F41G 11/008
 42/111

2015/0198409 A1 7/2015 Desomma
 2015/0241160 A1 8/2015 McGinty
 2015/0323268 A1* 11/2015 Kokinis F41A 11/02
 89/193
 2016/0033217 A1* 2/2016 Gryparis F41A 3/12
 89/180
 2016/0040948 A1* 2/2016 Barrett F41A 3/66
 89/136
 2016/0290753 A1* 10/2016 Sewell, Jr. F41A 3/72
 2016/0305725 A1* 10/2016 Patel F41A 9/37
 2016/0341501 A1* 11/2016 Kokinis F41A 5/26
 2017/0003090 A1* 1/2017 Kokinis F41A 3/66

OTHER PUBLICATIONS

<https://www.youtube.com/watch?v=Fjf3HKy9rZQ>[Mar. 23, 2016 2:13:20 PM].*
<http://www.tactical-life.com/exclusives/barrett-next-gen-m240Iw-sneak-peek/>[Mar. 23, 2016 2:15:15 PM].*
<http://www.flickrriver.com/photos/pye42/6796507127/>[Mar. 23, 2016 2:16:15 PM].*
 "Chapter 3: M240B Machine Gun", Apr. 27, 2005, Globalsecurity.org.
 U.S. Appl. No. 15/086,876, filed Mar. 31, 2016 to Barrett et al. (not prior art).
 U.S. Appl. No. 29/504,849, filed Oct. 9, 2014 to Barrett. (not prior art).
 PCT Application No. PCT/US2016/025294 filed Mar. 31 2016 to Barrett et al. (not prior art).
 PCT Application No. PCT/US2015/044642 filed Aug. 11, 2015 to Barrett et al. (not prior art).
 U.S. Appl. No. 29/504,846, filed Oct. 9, 2014 to Barrett. (not prior art).
 U.S. Appl. No. 14/823,111, filed Aug. 11, 2015 to Barrett. (not prior art).
 U.S. Appl. No. 29/504,850, filed Oct. 9, 2014 to Barrett. (not prior art).

* cited by examiner

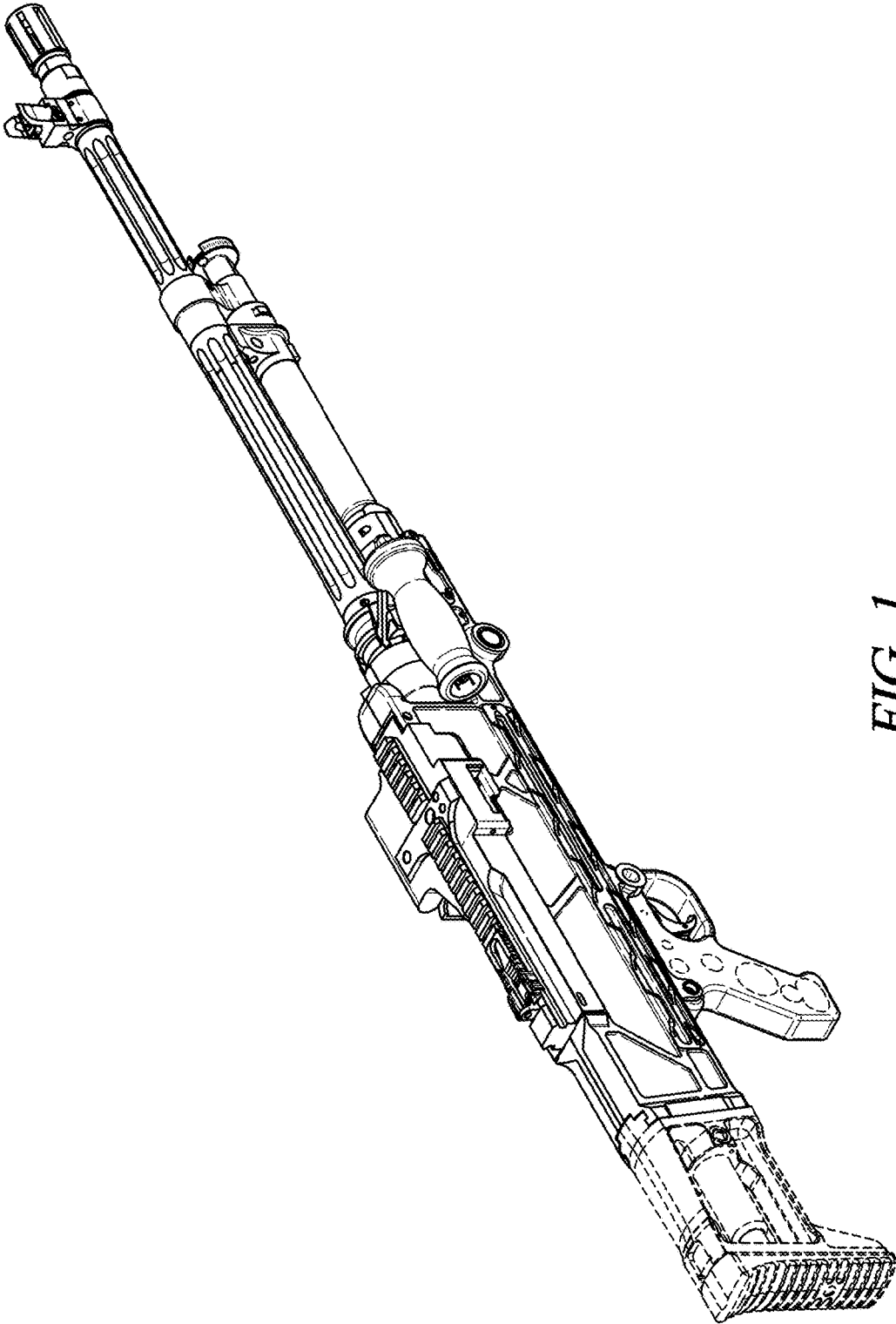


FIG. 1

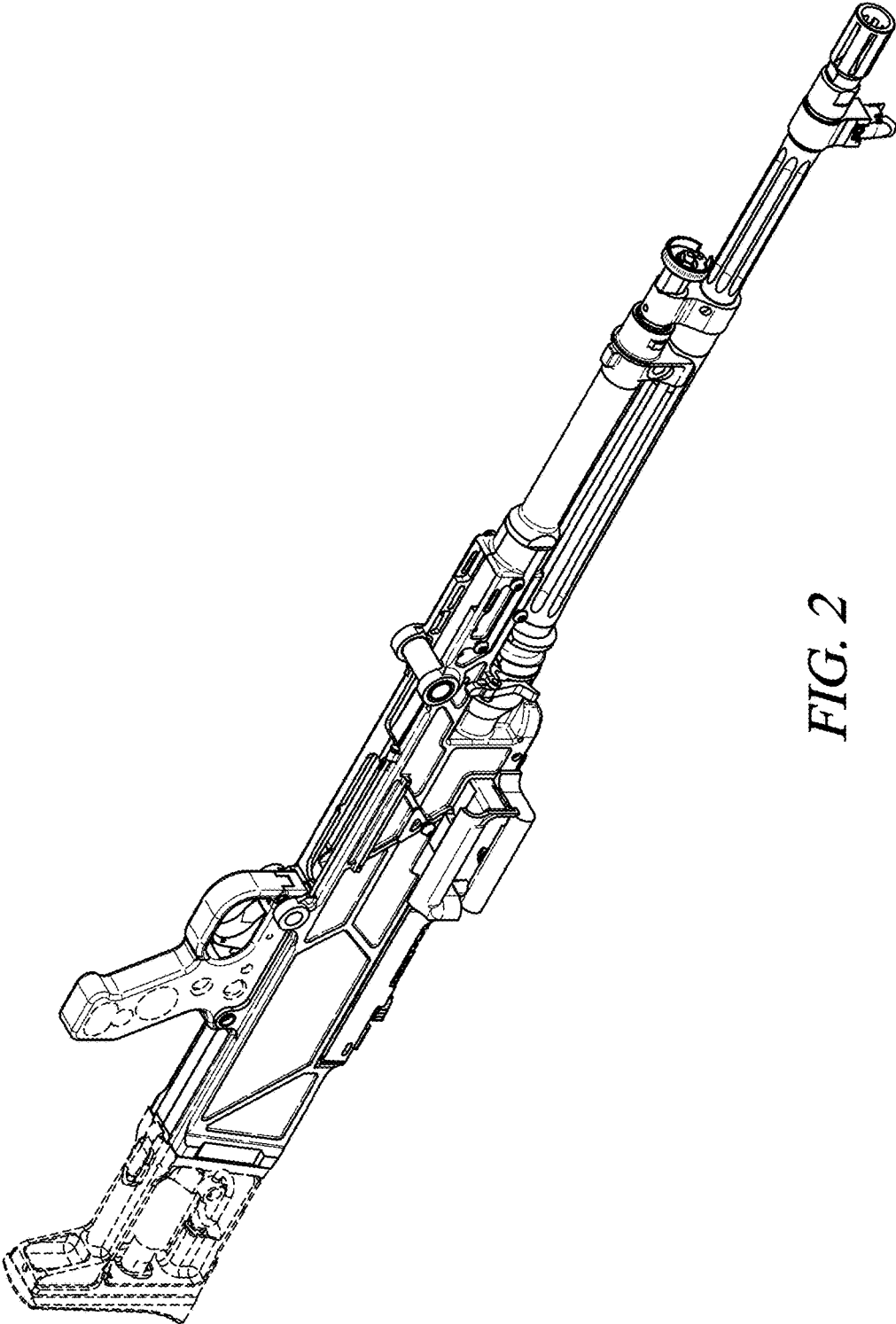


FIG. 2

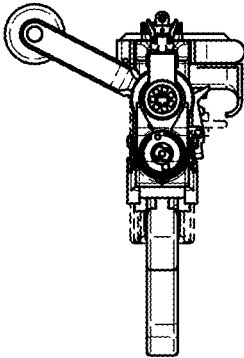


FIG. 3

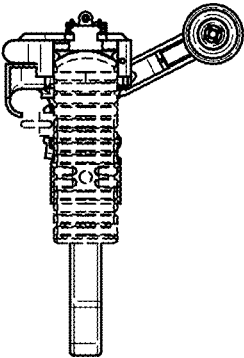


FIG. 4

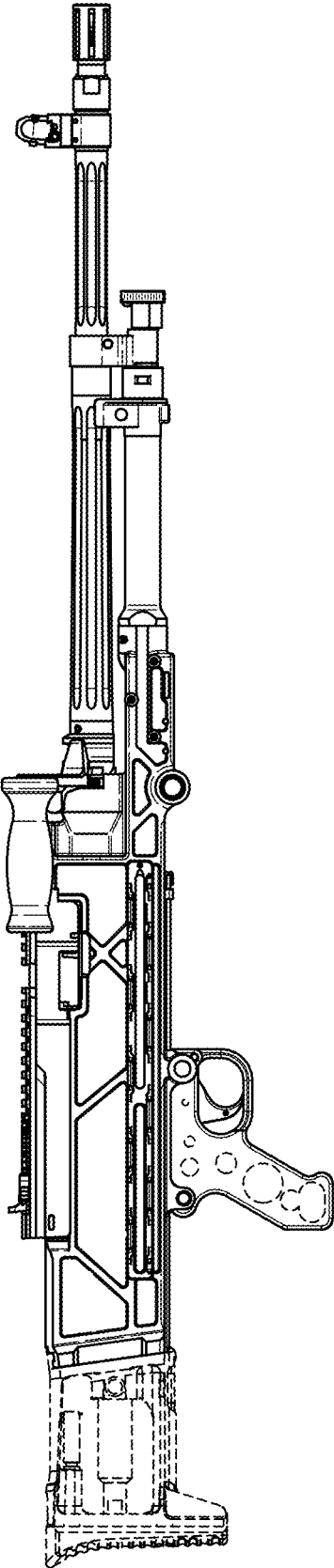


FIG. 5

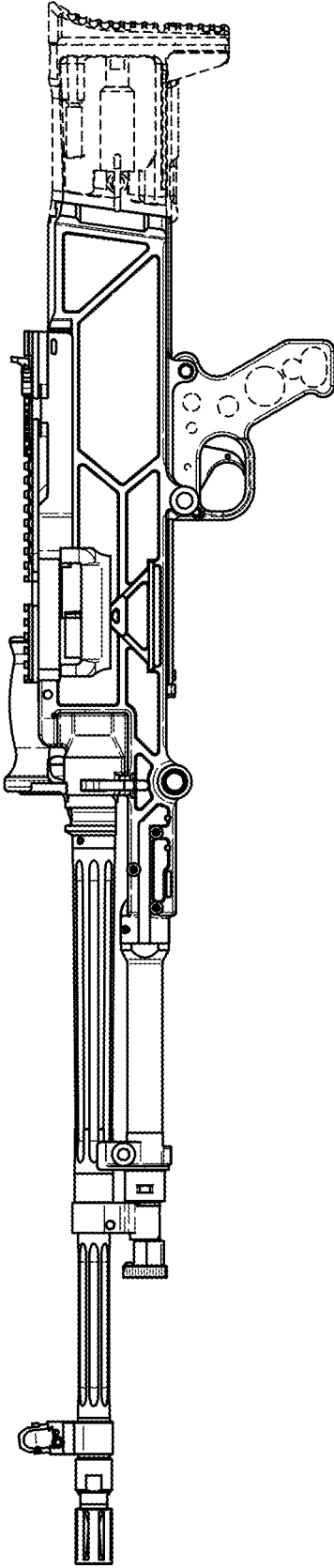


FIG. 6

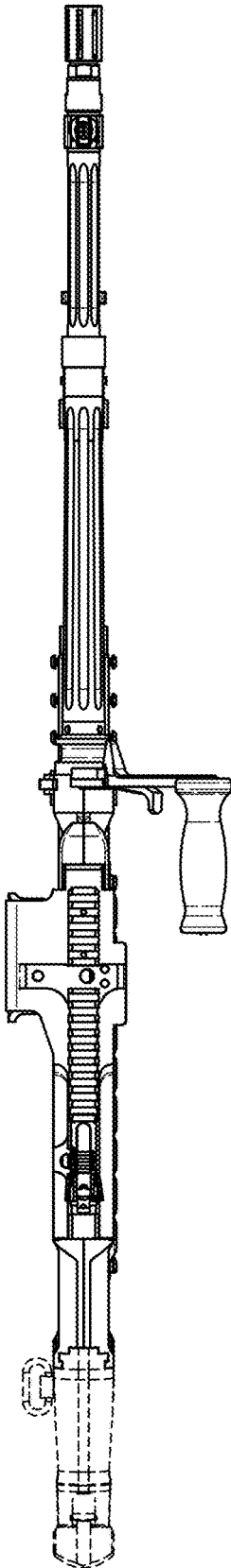


FIG. 7

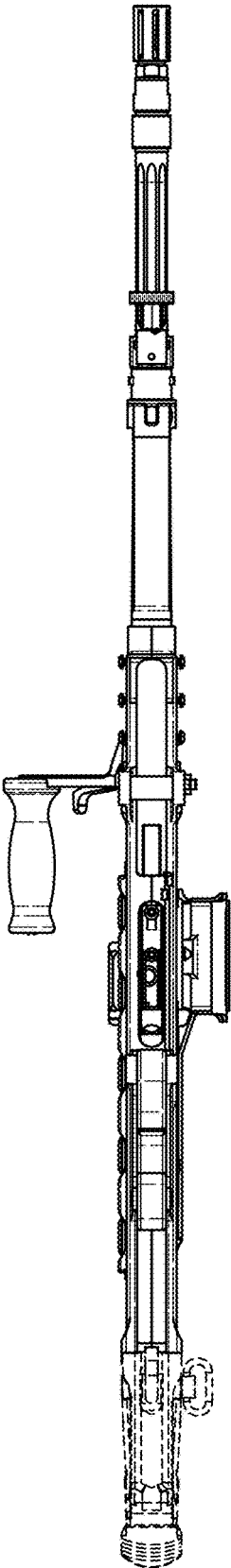


FIG. 8