

(19) World Intellectual Property Organization
International Bureau



(43) International Publication Date
6 April 2006 (06.04.2006)

PCT

(10) International Publication Number
WO 2006/036564 A3

(51) International Patent Classification:
G02B 26/00 (2006.01) *G02B 5/20* (2006.01)

(74) Agent: DELANEY, Karoline, A.; Knobbe, Martens, Olson & Bear, LLP, 2040 Main Street, 14th Floor, Irvine, California 92614 (US).

(21) International Application Number:
PCT/US2005/032886

(81) Designated States (unless otherwise indicated, for every kind of national protection available): AE, AG, AL, AM, AT, AU, AZ, BA, BB, BG, BR, BW, BY, BZ, CA, CH, CN, CO, CR, CU, CZ, DE, DK, DM, DZ, EC, EE, EG, ES, FI, GB, GD, GE, GH, GM, HR, HU, ID, IL, IN, IS, JP, KE, KG, KM, KP, KR, KZ, LC, LK, LR, LS, LT, LU, LV, MA, MD, MG, MK, MN, MW, MX, MZ, NA, NG, NI, NO, NZ, OM, PG, PH, PL, PT, RO, RU, SC, SD, SE, SG, SK, SL, SM, SY, TJ, TM, TN, TR, TT, TZ, UA, UG, US, UZ, VC, VN, YU, ZA, ZM, ZW.

(22) International Filing Date:
14 September 2005 (14.09.2005)

(25) Filing Language: English

(26) Publication Language: English

(30) Priority Data:
60/613,481 27 September 2004 (27.09.2004) US
11/213,644 19 August 2005 (19.08.2005) US

(84) Designated States (unless otherwise indicated, for every kind of regional protection available): ARIPO (BW, GH, GM, KE, LS, MW, MZ, NA, SD, SL, SZ, TZ, UG, ZM, ZW), Eurasian (AM, AZ, BY, KG, KZ, MD, RU, TJ, TM), European (AT, BE, BG, CH, CY, CZ, DE, DK, EE, ES, FI, FR, GB, GR, HU, IE, IS, IT, LT, LU, LV, MC, NL, PL, PT, RO, SE, SI, SK, TR), OAPI (BF, BJ, CF, CG, CI, CM, GA, GN, GQ, GW, ML, MR, NE, SN, TD, TG).

(71) Applicant (for all designated States except US): IDC, LLC [US/US]; 2415 Third Street, San Francisco, California 94107 (US).

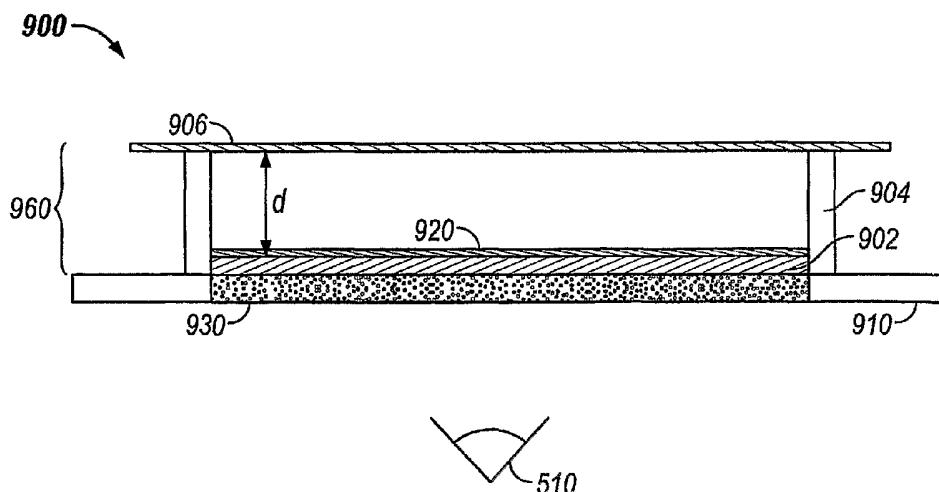
(72) Inventors; and

(75) Inventors/Applicants (for US only): CUMMINGS, William, J. [US/US]; 149 Ashton Avenue, Millbrae, California 94030 (US). GALLY, Brian [US/US]; 346 Bella Vista Avenue, Los Gatos, California 95032 (US).

Published:
— with international search report

[Continued on next page]

(54) Title: DISPLAY ELEMENT HAVING FILTER MATERIAL DIFFUSED IN A SUBSTRATE OF THE DISPLAY ELEMENT



(57) Abstract: Optical filter functionality is incorporated into a substrate of a display element thereby decreasing the need for a separate thin film filter and, accordingly, reducing a total thickness of a filtered display element. Filter functionality may be provided by any filter material, such as pigment materials, photoluminescent materials, and opaque material, for example. The filter material may be incorporated in the substrate at the time of creating the substrate or may be selectively diffused in the substrate through a process of masking the substrate, exposing the substrate to the filter material, and heating the substrate in order to diffuse the filter material in the substrate.

WO 2006/036564 A3



(88) Date of publication of the international search report:

22 June 2006

For two-letter codes and other abbreviations, refer to the "Guidance Notes on Codes and Abbreviations" appearing at the beginning of each regular issue of the PCT Gazette.

INTERNATIONAL SEARCH REPORT

International application No
PCT/US2005/032886

A. CLASSIFICATION OF SUBJECT MATTER
G02B26/00 G02B5/20

According to International Patent Classification (IPC) or to both national classification and IPC

B. FIELDS SEARCHED

Minimum documentation searched (classification system followed by classification symbols)
G02B G02F

Documentation searched other than minimum documentation to the extent that such documents are included in the fields searched

Electronic data base consulted during the international search (name of data base and, where practical, search terms used)
EPO-Internal, PAJ, WPI Data

C. DOCUMENTS CONSIDERED TO BE RELEVANT

Category*	Citation of document, with indication, where appropriate, of the relevant passages	Relevant to claim No.
X	US 2004/125281 A1 (LIN WEN-JIAN) 1 July 2004 (2004-07-01)	1, 17, 52, 55, 56, 71
Y	paragraph [0027] - paragraph [0034]; figures 2-4	2-16, 18-51, 53, 54, 57-70, 72-107
Y	EP 0 855 745 A (EASTMAN KODAK COMPANY) 29 July 1998 (1998-07-29)	2-16, 18-51, 53, 54, 57-70, 72-107
	examples 1,5	
	----- -/--	

Further documents are listed in the continuation of Box C.

See patent family annex.

* Special categories of cited documents :

- *A* document defining the general state of the art which is not considered to be of particular relevance
- *E* earlier document but published on or after the international filing date
- *L* document which may throw doubts on priority claim(s) or which is cited to establish the publication date of another citation or other special reason (as specified)
- *O* document referring to an oral disclosure, use, exhibition or other means
- *P* document published prior to the international filing date but later than the priority date claimed

- *T* later document published after the international filing date or priority date and not in conflict with the application but cited to understand the principle or theory underlying the invention
- *X* document of particular relevance; the claimed invention cannot be considered novel or cannot be considered to involve an inventive step when the document is taken alone
- *Y* document of particular relevance; the claimed invention cannot be considered to involve an inventive step when the document is combined with one or more other such documents, such combination being obvious to a person skilled in the art.
- * & * document member of the same patent family

Date of the actual completion of the international search

21 March 2006

Date of mailing of the international search report

30/03/2006

Name and mailing address of the ISA/

European Patent Office, P.B. 5818 Patentlaan 2
NL - 2280 HV Rijswijk
Tel. (+31-70) 340-2040, Tx. 31 651 epo nl,
Fax: (+31-70) 340-3016

Authorized officer

Lehtiniemi, J

INTERNATIONAL SEARCH REPORT

International application No
PCT/US2005/032886

C(Continuation). DOCUMENTS CONSIDERED TO BE RELEVANT

Category*	Citation of document, with indication, where appropriate, of the relevant passages	Relevant to claim No.
A	US 2004/115339 A1 (ITO NOBUYUKI) 17 June 2004 (2004-06-17) abstract	1, 17, 18, 48, 55, 56, 71, 80, 84, 85, 100
A	EP 1 014 161 A (CITIZEN WATCH CO., LTD; CITIZEN WATCH CO. LTD) 28 June 2000 (2000-06-28) abstract	1, 17, 18, 48, 55, 56, 71, 80, 84, 85, 100

INTERNATIONAL SEARCH REPORT

Information on patent family members

International application No
PCT/US2005/032886

Patent document cited in search report	Publication date	Patent family member(s)	Publication date
US 2004125281	A1	01-07-2004 JP 2004206049 A	22-07-2004
EP 0855745	A	29-07-1998 JP 11002712 A	06-01-1999
US 2004115339	A1	17-06-2004 GB 2393844 A JP 2004111278 A	07-04-2004 08-04-2004
EP 1014161	A	28-06-2000 CN 1129027 C DE 69900631 D1 DE 69900631 T2 WO 9967680 A1	26-11-2003 31-01-2002 08-08-2002 29-12-1999