



US00D683095S

(12) **United States Design Patent**  
**Vasilakes et al.**

(10) **Patent No.:** **US D683,095 S**

(45) **Date of Patent:** **\*\* May 21, 2013**

(54) **WRINGER**

(75) Inventors: **Lloyd S. Vasilakes**, Stillwater, MN (US);  
**Valentina Tronconi**, Milan (IT);  
**Edgardo Angelini**, Milan (IT); **Rosario D. De Salvo**, Milan (IT); **Sandro F. U. Pizzi**, Milan (IT)

(73) Assignee: **3M Innovative Properties Company**,  
St. Paul, MN (US)

(\*\*) Term: **14 Years**

(21) Appl. No.: **29/425,725**

(22) Filed: **Jun. 26, 2012**

(51) **LOC (9) Cl.** ..... **07-07**

(52) **U.S. Cl.**

USPC ..... **D32/53**

(58) **Field of Classification Search** ..... D32/53-54;  
15/260-264; 220/904

See application file for complete search history.

(56) **References Cited**

**U.S. PATENT DOCUMENTS**

D164,340 S \* 8/1951 Wegelin ..... D32/54  
D218,778 S \* 9/1970 Gunfaus ..... D32/54  
D383,270 S \* 9/1997 Weihs ..... D32/54

D410,310 S \* 5/1999 Haley et al. .... D32/54  
6,530,112 B2 3/2003 Hirse  
6,684,450 B2 2/2004 Dingert  
6,823,557 B2 \* 11/2004 Dingert ..... 15/260  
8,122,561 B2 \* 2/2012 Dingert et al. .... 15/260  
2009/0288266 A1 11/2009 Dingert

**FOREIGN PATENT DOCUMENTS**

EP 0 489 237 A1 6/1992

\* cited by examiner

*Primary Examiner* — Robin V Webster

(74) *Attorney, Agent, or Firm* — Irina Hass

(57) **CLAIM**

The ornamental design for a wringer, as shown and described.

**DESCRIPTION**

FIG. 1 is a perspective view of the new design for a wringer;  
FIG. 2 is a left side view thereof, the right side view being a  
mirror image thereof;

FIG. 3 is a rear view thereof;

FIG. 4 is a front view thereof;

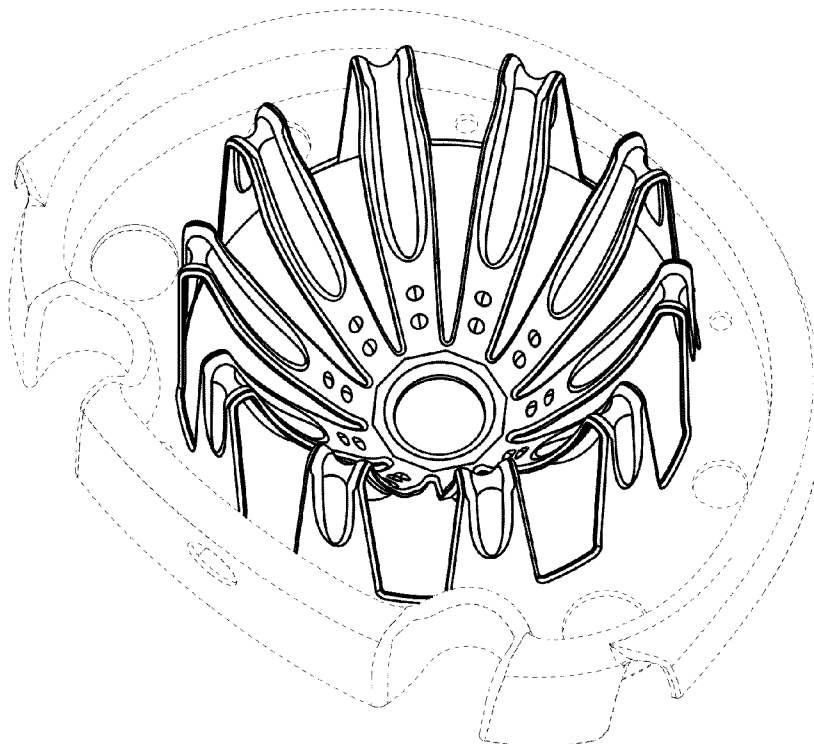
FIG. 5 is a top view thereof;

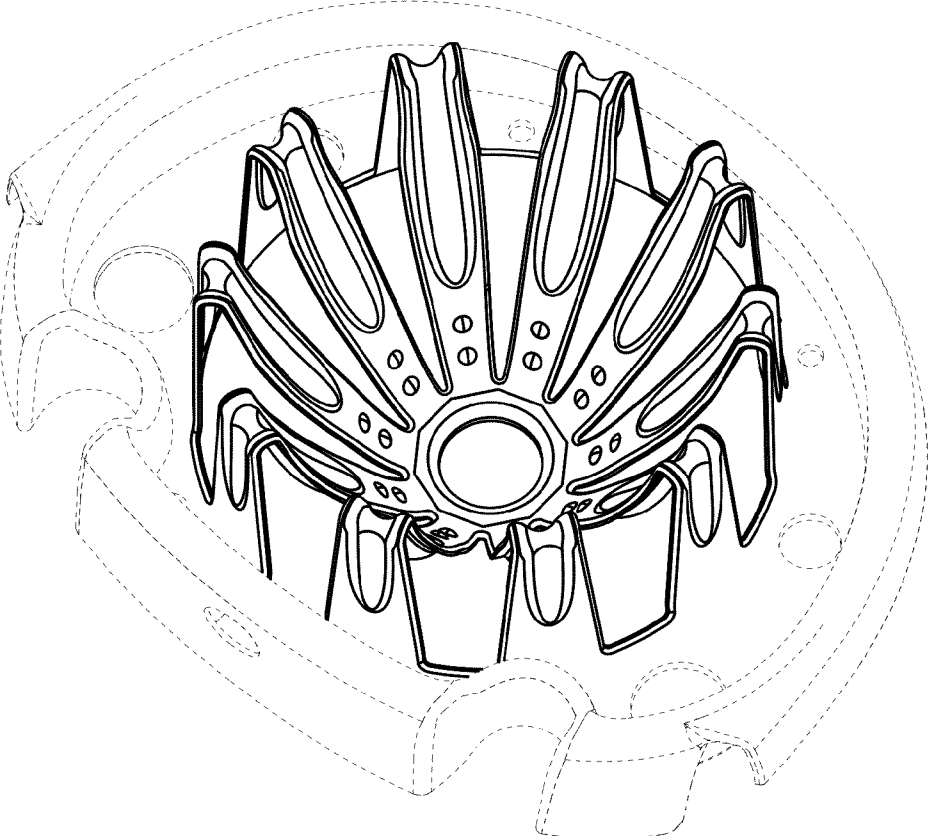
FIG. 6 is a bottom view thereof; and,

FIG. 7 is a perspective view thereof showing the wringer with  
a bucket.

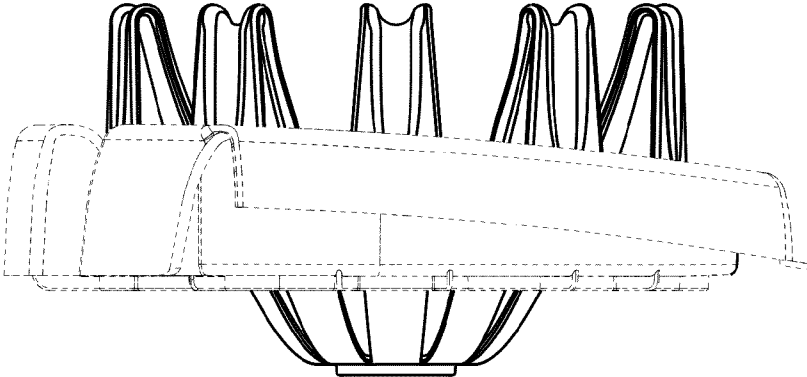
The broken lines in the drawings are shown for illustrative  
purposes only and form no part of the claimed design.

**1 Claim, 4 Drawing Sheets**

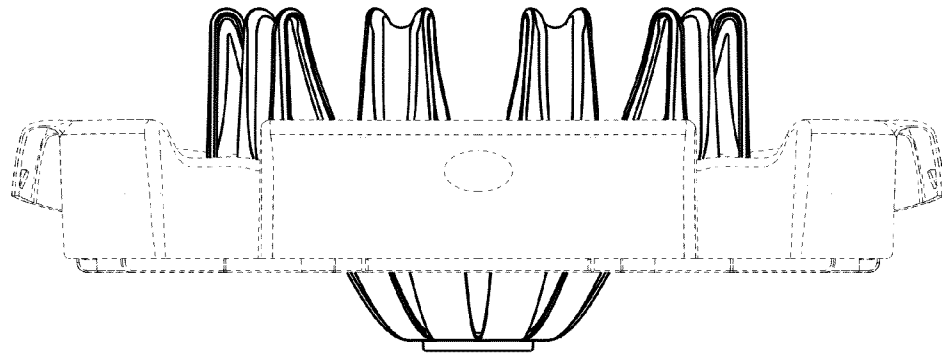




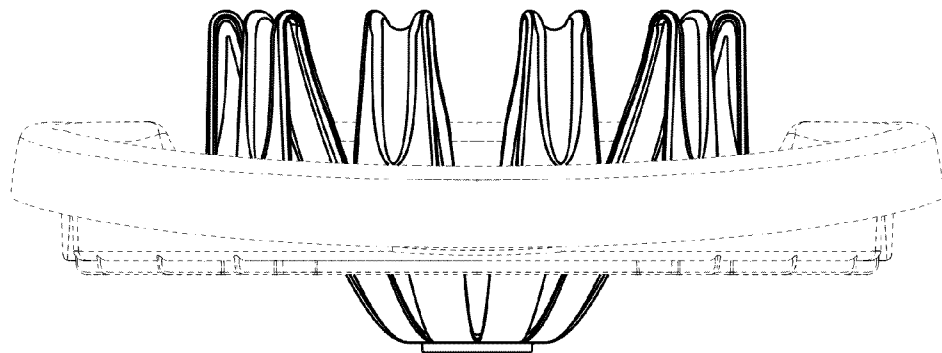
**FIG. 1**



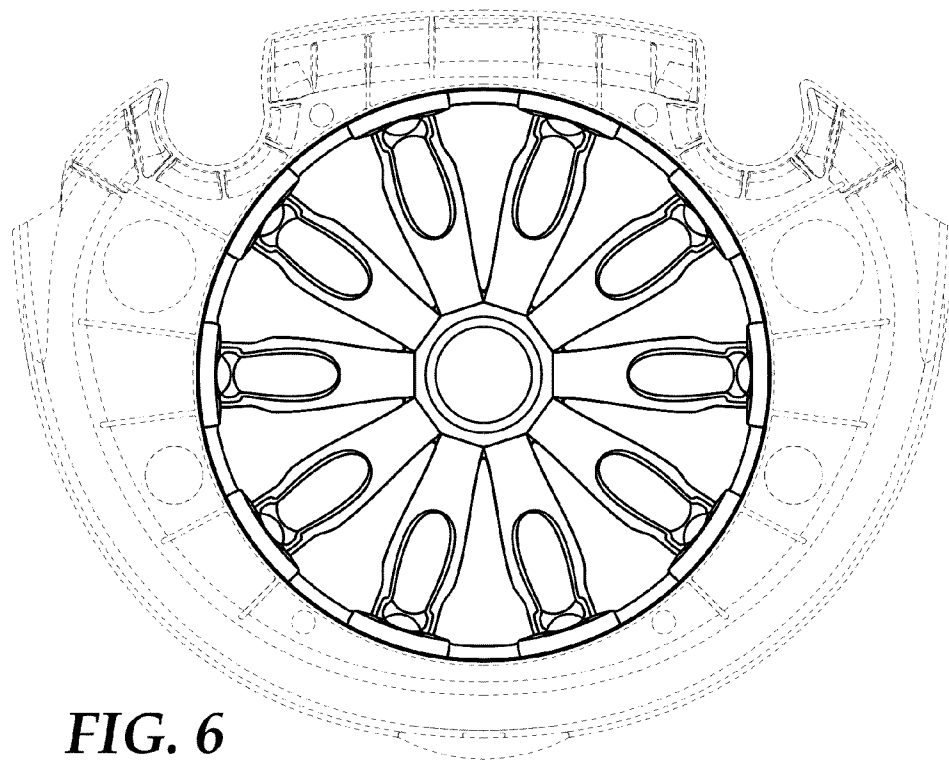
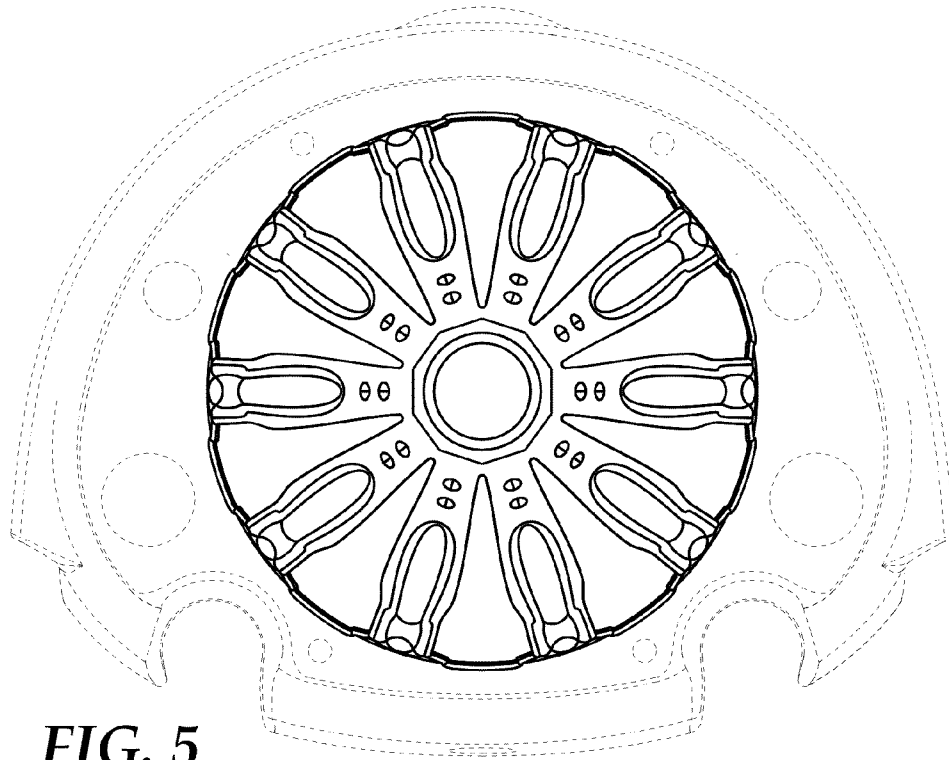
**FIG. 2**

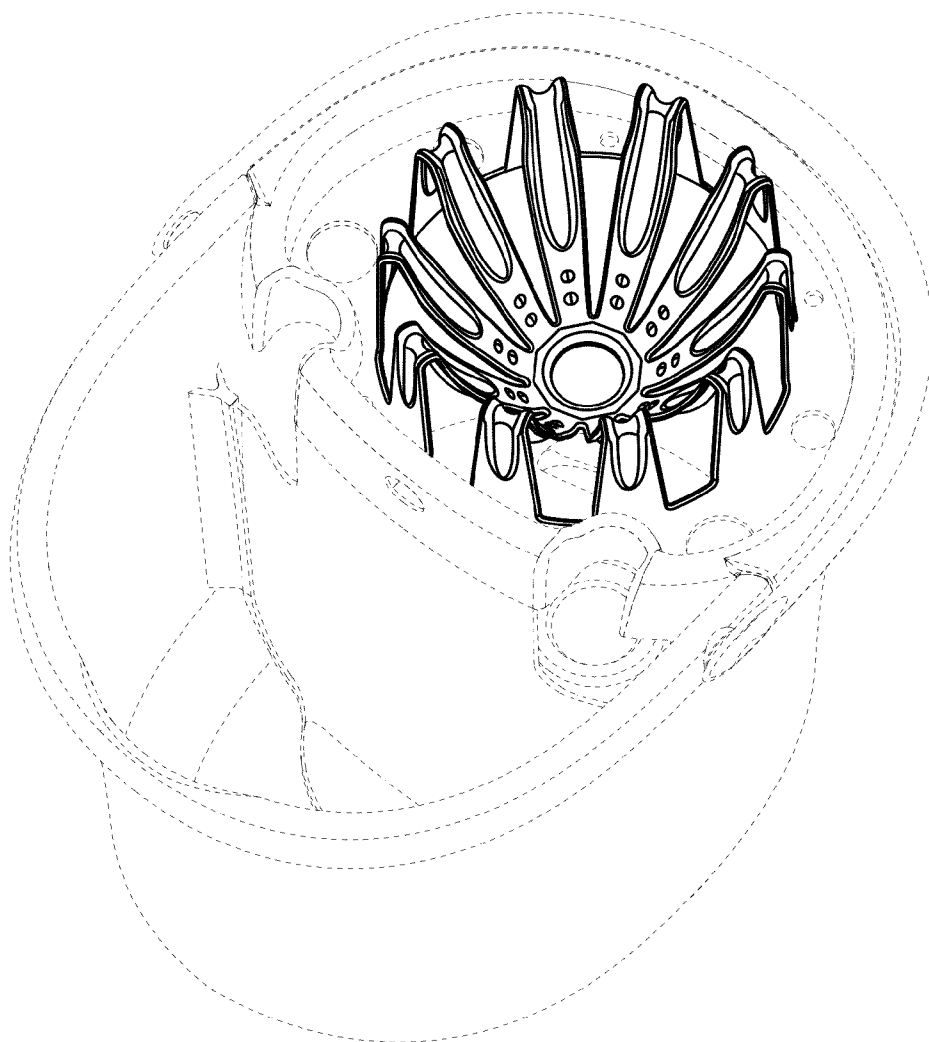


**FIG. 3**



**FIG. 4**





**FIG. 7**