

(19) World Intellectual Property Organization
International Bureau



(43) International Publication Date
9 February 2006 (09.02.2006)

PCT

(10) International Publication Number
WO 2006/014909 A3

- (51) International Patent Classification:
E01C 23/07 (2006.01) *E01C 23/01* (2006.01)
- (21) International Application Number:
PCT/US2005/026409
- (22) International Filing Date: 26 July 2005 (26.07.2005)
- (25) Filing Language: English
- (26) Publication Language: English
- (30) Priority Data:
60/521,950 26 July 2004 (26.07.2004) US
60/619,672 18 October 2004 (18.10.2004) US
60/666,672 30 March 2005 (30.03.2005) US
- (71) Applicant (for all designated States except US):
SOMERO ENTERPRISES, INC. [US/US]; 1000 Somero Drive, Houghton, MI 49931 (US).

Michigan 49905 (US). **KERANEN, Michael R.** [US/US]; 3400 Dona Marie Drive, Howell, Michigan 48843 (US). **KIERANEN, Carl B.** [US/US]; 44851 Paradise Road, Chassell, Michigan 49916 (US).

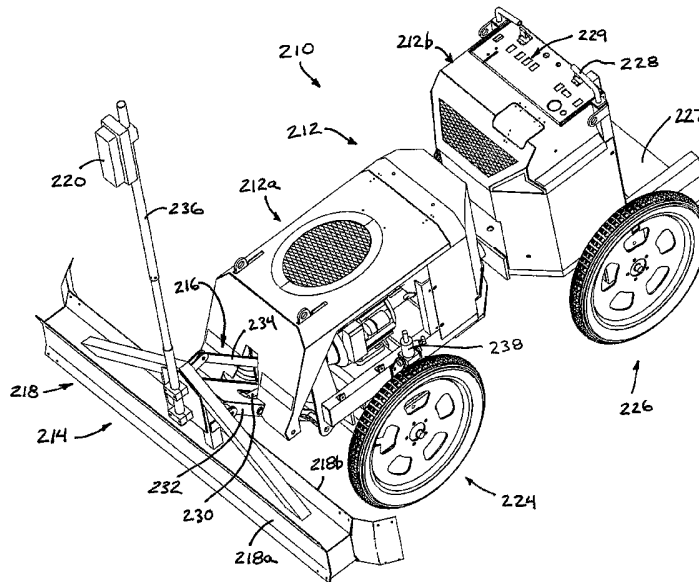
(74) Agent: **VAN DYKE, GARDNER, LINN & BURKHART, LLP**; Timothy A. Flory, 2851 Charlevoix Drive SE, P.O. Box 888695, Grand Rapids, Michigan 49588-8695 (US).

(81) Designated States (unless otherwise indicated, for every kind of national protection available): AE, AG, AL, AM, AT, AU, AZ, BA, BB, BG, BR, BW, BY, BZ, CA, CH, CN, CO, CR, CU, CZ, DE, DK, DM, DZ, EC, EE, EG, ES, FI, GB, GD, GE, GH, GM, HR, HU, ID, IL, IN, IS, JP, KE, KG, KM, KP, KR, KZ, LC, LK, LR, LS, LT, LU, LV, MA, MD, MG, MK, MN, MW, MX, MZ, NA, NG, NI, NO, NZ, OM, PG, PH, PL, PT, RO, RU, SC, SD, SE, SG, SK, SL, SM, SY, TJ, TM, TN, TR, TT, TZ, UA, UG, US, UZ, VC, VN, YU, ZA, ZM, ZW.

(84) Designated States (unless otherwise indicated, for every kind of regional protection available): ARIPO (BW, GH, GM, KE, LS, MW, MZ, NA, SD, SL, SZ, TZ, UG, ZM, ZW), Eurasian (AM, AZ, BY, KG, KZ, MD, RU, TJ, TM), European (AT, BE, BG, CH, CY, CZ, DE, DK, EE, ES, FI, FR, GB, GR, HU, IE, IS, IT, LT, LU, LV, MC, NL, PL, PT,

[Continued on next page]

(54) Title: POWERED STRIKE-OFF PLOW



(57) Abstract: A wheeled strike-off apparatus (10) is movable over a surface of uncured concrete or subgrade materials and is operable to establish a desired grade of the uncured concrete surface or subgrade surface. The apparatus includes a wheeled support (12) and a plow assembly (14). The wheeled support may have a front frame portion (212a) and a pair of front wheels (224) rotatably mounted at the front frame portion, and may have a rear frame portion (212b) and a pair of rear wheels (226) rotatably mounted at the rear frame portion. The plow assembly may be adjustably mounted to the front frame portion and may be vertically adjustable relative to the frame portion via an actuator (230). The plow assembly includes at least one plow member (218) for engaging and establishing the desired grade.

WO 2006/014909 A3



RO, SE, SI, SK, TR), OAPI (BF, BJ, CF, CG, CI, CM, GA, GN, GQ, GW, ML, MR, NE, SN, TD, TG).

Declarations under Rule 4.17:

- as to applicant's entitlement to apply for and be granted a patent (Rule 4.17(ii)) for the following designations AE, AG, AL, AM, AT, AU, AZ, BA, BB, BG, BR, BW, BY, BZ, CA, CH, CN, CO, CR, CU, CZ, DE, DK, DM, DZ, EC, EE, EG, ES, FI, GB, GD, GE, GH, GM, HR, HU, ID, IL, IN, IS, JP, KE, KG, KM, KP, KR, KZ, LC, LK, LR, LS, LT, LU, LV, MA, MD, MG, MK, MN, MW, MX, MZ, NA, NG, NI, NO, NZ, OM, PG, PH, PL, PT, RO, RU, SC, SD, SE, SG, SK, SL, SM, SY, TJ, TM, TN, TR, TT, TZ, UA, UG, UZ, VC, VN, YU, ZA, ZM, ZW, ARIPO patent (BW, GH, GM, KE, LS, MW, MZ, NA, SD, SL, SZ, TZ, UG, ZM, ZW), Eurasian patent (AM, AZ, BY, KG, KZ, MD, RU, TJ, TM), European patent (AT, BE, BG, CH, CY, CZ, DE, DK, EE, ES, FI, FR, GB, GR, HU, IE, IS, IT, LT, LU, LV, MC, NL, PL, PT, RO, SE, SI, SK, TR), OAPI patent (BF, BJ, CF, CG, CI, CM, GA, GN, GQ, GW, ML, MR, NE, SN, TD, TG)

- as to the applicant's entitlement to claim the priority of the earlier application (Rule 4.17(iii)) for all designations
- as to the applicant's entitlement to claim the priority of the earlier application (Rule 4.17(iii)) for all designations
- as to the applicant's entitlement to claim the priority of the earlier application (Rule 4.17(iii)) for all designations
- of inventorship (Rule 4.17(iv)) for US only

Published:

- with international search report
- before the expiration of the time limit for amending the claims and to be republished in the event of receipt of amendments

(88) Date of publication of the international search report:

18 January 2007

For two-letter codes and other abbreviations, refer to the "Guidance Notes on Codes and Abbreviations" appearing at the beginning of each regular issue of the PCT Gazette.

INTERNATIONAL SEARCH REPORT

International application No.

PCT/US05/26409

A. CLASSIFICATION OF SUBJECT MATTER

IPC: E01C 23/07(2006.01),23/01(2006.01)

USPC: 404/83,84.05,84.1,84.2,84.5,114,118,119,120

According to International Patent Classification (IPC) or to both national classification and IPC

B. FIELDS SEARCHED

Minimum documentation searched (classification system followed by classification symbols)
U.S. : 404/83, 84.05, 84.1, 84.2, 84.5,114, 118, 119, 120

Documentation searched other than minimum documentation to the extent that such documents are included in the fields searched

Electronic data base consulted during the international search (name of data base and, where practicable, search terms used)
USPTO, USPGPUB, EPO, JPO, DERWENT

C. DOCUMENTS CONSIDERED TO BE RELEVANT

Category *	Citation of document, with indication, where appropriate, of the relevant passages	Relevant to claim No.
A	US 6,336,769 B1 (CINCIS et al.) 8 January 2002,	
A	US 4,299,290 A1 (NUNES, JR.) 10 November 1981	
A	US 6,029,752 A1 (YOUNG) 29 February 2000	
A	US 5,129,803 A1 (NOMURA et al.) 14 July 1992	

Further documents are listed in the continuation of Box C. See patent family annex.

* Special categories of cited documents:	
"A" document defining the general state of the art which is not considered to be of particular relevance	"T" later document published after the international filing date or priority date and not in conflict with the application but cited to understand the principle or theory underlying the invention
"E" earlier application or patent published on or after the international filing date	"X" document of particular relevance; the claimed invention cannot be considered novel or cannot be considered to involve an inventive step when the document is taken alone
"L" document which may throw doubts on priority claim(s) or which is cited to establish the publication date of another citation or other special reason (as specified)	"Y" document of particular relevance; the claimed invention cannot be considered to involve an inventive step when the document is combined with one or more other such documents, such combination being obvious to a person skilled in the art
"O" document referring to an oral disclosure, use, exhibition or other means	"&" document member of the same patent family
"P" document published prior to the international filing date but later than the priority date claimed	

Date of the actual completion of the international search 10 October 2006 (10.10.2006)	Date of mailing of the international search report 22 NOV 2006
---	--

Name and mailing address of the ISA/US Mail Stop PCT, Attn: ISA/US Commissioner for Patents P.O. Box 1450 Alexandria, Virginia 22313-1450 Facsimile No. (571) 273-3201	Authorized officer <i>Raymond W. Addie</i> Raymond W. Addie Telephone No. 571 272-6576
---	---