



US00D384580S

United States Patent [19]

[11] Patent Number: Des. 384,580

Fernandes et al.

[45] Date of Patent: **Oct. 7, 1997

[54] **COMBINED CONTAINER WITH MOUNTED COMPACT DISC HOLDER**

[75] Inventors: **Leonard M. Fernandes**, Huntington; **Pen Cheong Loo**, Norwalk, both of Conn.

[73] Assignee: **Printlink Publishers, Inc.**, Monroe, Conn.

[**] Term: **14 Years**

[21] Appl. No.: **53,952**

[22] Filed: **May 2, 1996**

[51] **LOC (6) Cl.** **09-07**

[52] **U.S. Cl.** **D9/418; D9/337**

[58] **Field of Search** **D9/415, 418, 432, D9/423, 420, 337; 206/308.1-308.3, 311, 312, 387.14, 232; D6/407, 396; D14/120, 121, 136; D3/218**

[56] **References Cited**

U.S. PATENT DOCUMENTS

D. 337,005	7/1993	Culverhouse .	
D. 351,513	10/1994	Kreppein	D6/407
D. 358,055	5/1995	Long et al.	D6/407 X
D. 359,861	7/1995	Hesener et al. .	
D. 360,360	7/1995	Kiolbasa	D6/415 X
D. 366,210	1/1996	McConner	D9/423
D. 369,105	4/1996	Baker et al.	D6/346 X
3,245,691	4/1966	Gorman .	
3,745,055	7/1973	Gorman .	
4,433,780	2/1984	Ellis .	
4,903,829	2/1990	Clemens	206/308.1
5,253,751	10/1993	Wipper	206/308.1 X
5,269,409	12/1993	Brandt et al. .	
5,284,243	2/1994	Gelardi et al. .	
5,366,073	11/1994	Turrentine et al.	206/308.1 X

5,458,235	10/1995	Stone .	
5,462,158	10/1995	Kramer .	
5,477,960	12/1995	Chen	206/308.1
5,573,120	11/1996	Kaufman et al.	206/308.1 X

FOREIGN PATENT DOCUMENTS

406073 1/1992 Japan .

OTHER PUBLICATIONS

Compact Disc Holder, date unknown.

Primary Examiner—Prabhakar G. Deshmukh
Attorney, Agent, or Firm—Ware, Fressola, Van Der Sluys & Adolphson LLP

[57] **CLAIM**

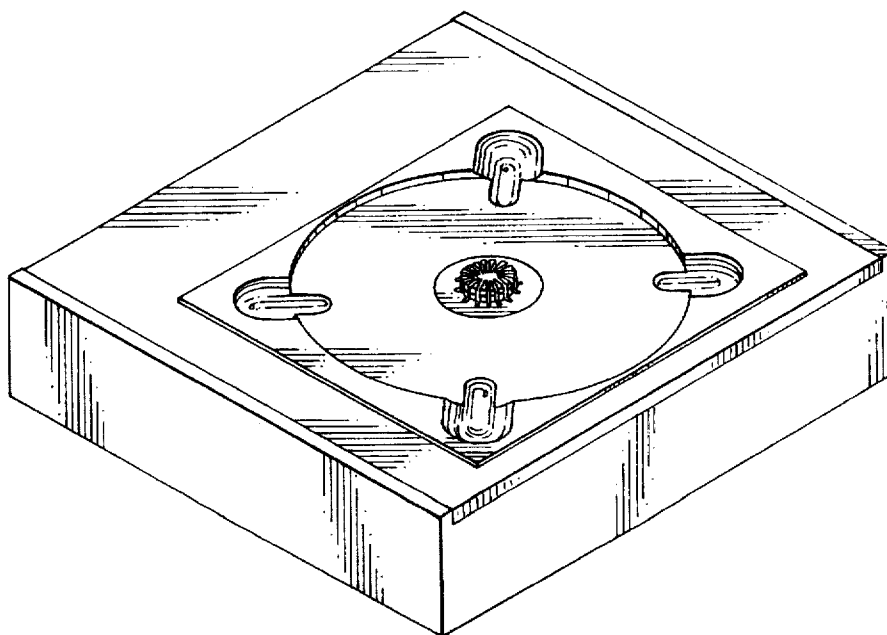
The ornamental design of a combined container with mounted compact disc holder, as shown and described.

DESCRIPTION

FIG. 1 is a perspective view of a combined container with mounted compact disc holder showing our new design; FIG. 2 is a left side elevational view thereof; the right side elevational view being a mirror image thereof; FIG. 3 is a top plan view thereof; FIG. 4 is a front elevational view thereof; FIG. 5 is rear elevational view thereof; FIG. 6 is a bottom plan view thereof; FIG. 7 is a perspective view thereof; with the cover in an open position; FIG. 8 is a perspective view of a second embodiment of FIG. 1; and, FIG. 9 is a perspective view of a third embodiment of FIG. 1.

The corresponding undisclosed views of the embodiments FIG. 8 and FIG. 9 are similar to the views disclosed in FIGS. 2-7 of the first embodiment.

1 Claim, 6 Drawing Sheets



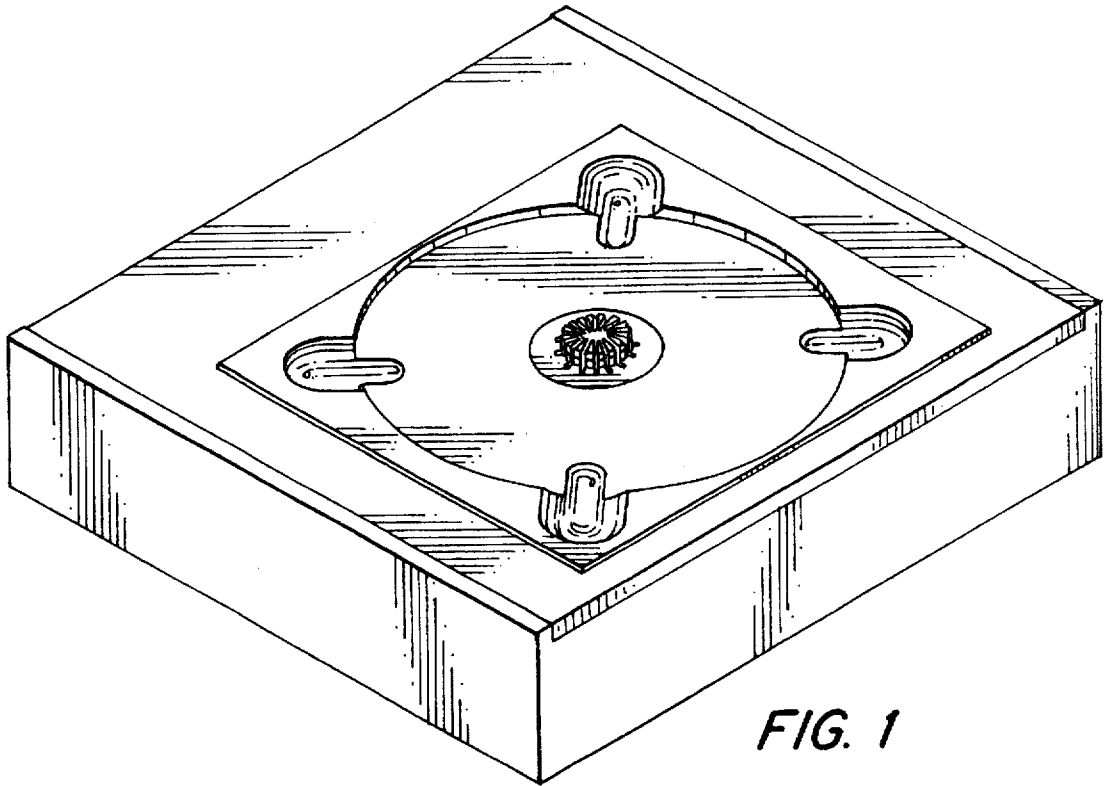


FIG. 1

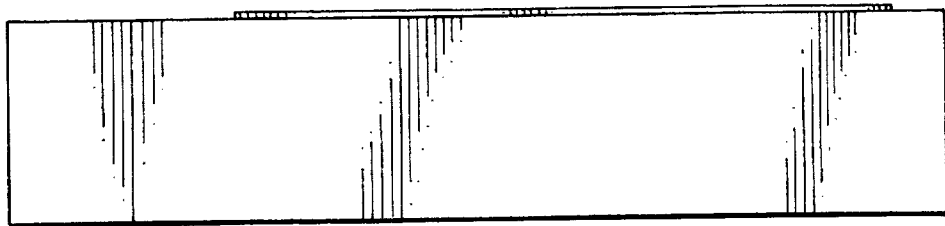


FIG. 2

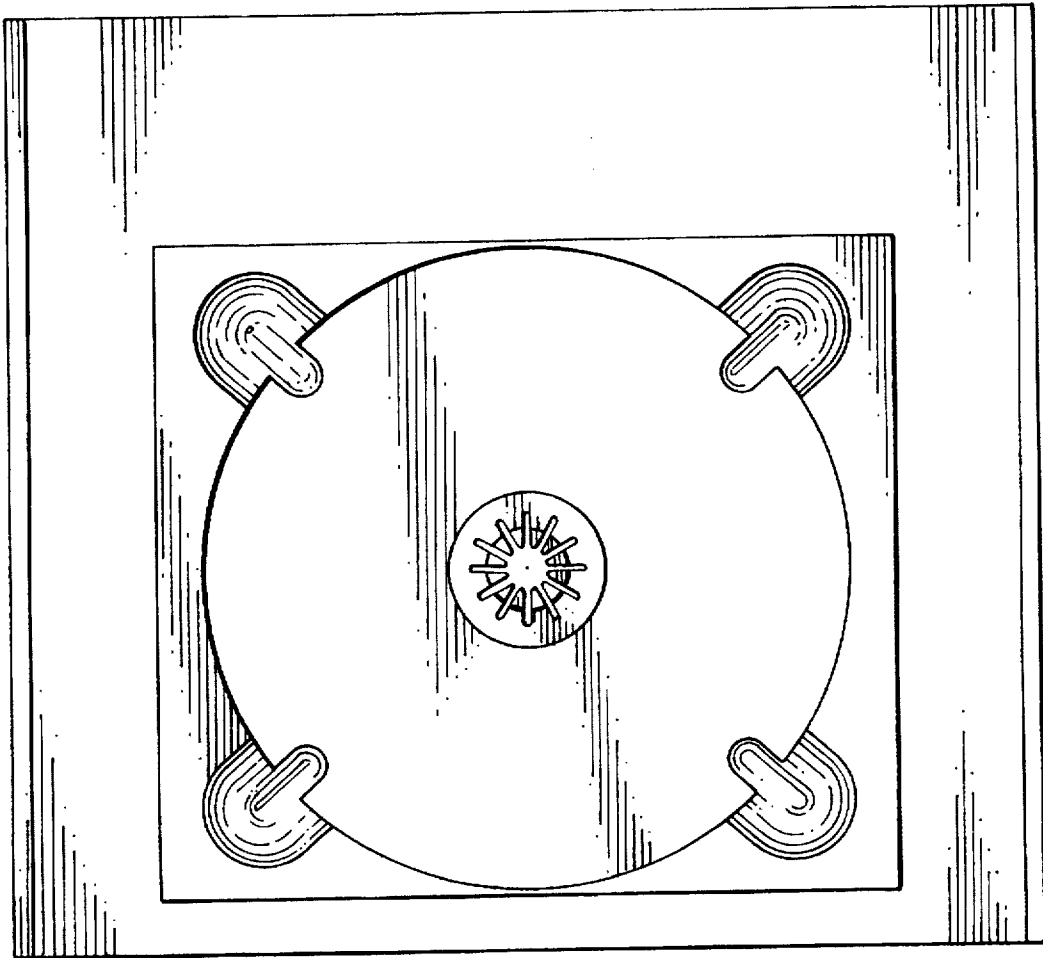


FIG. 3

FIG. 4

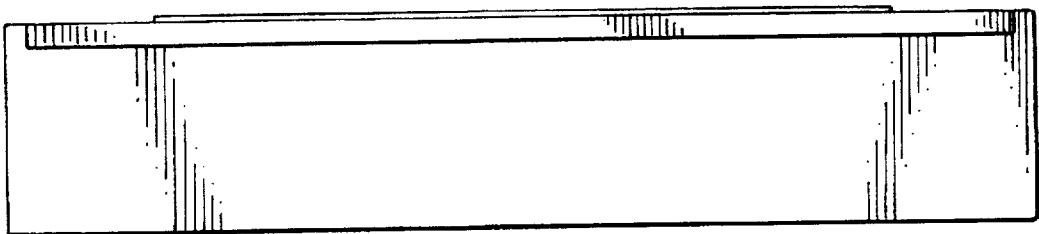
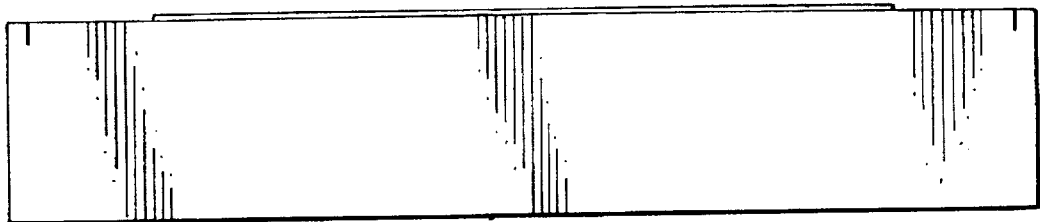


FIG. 5



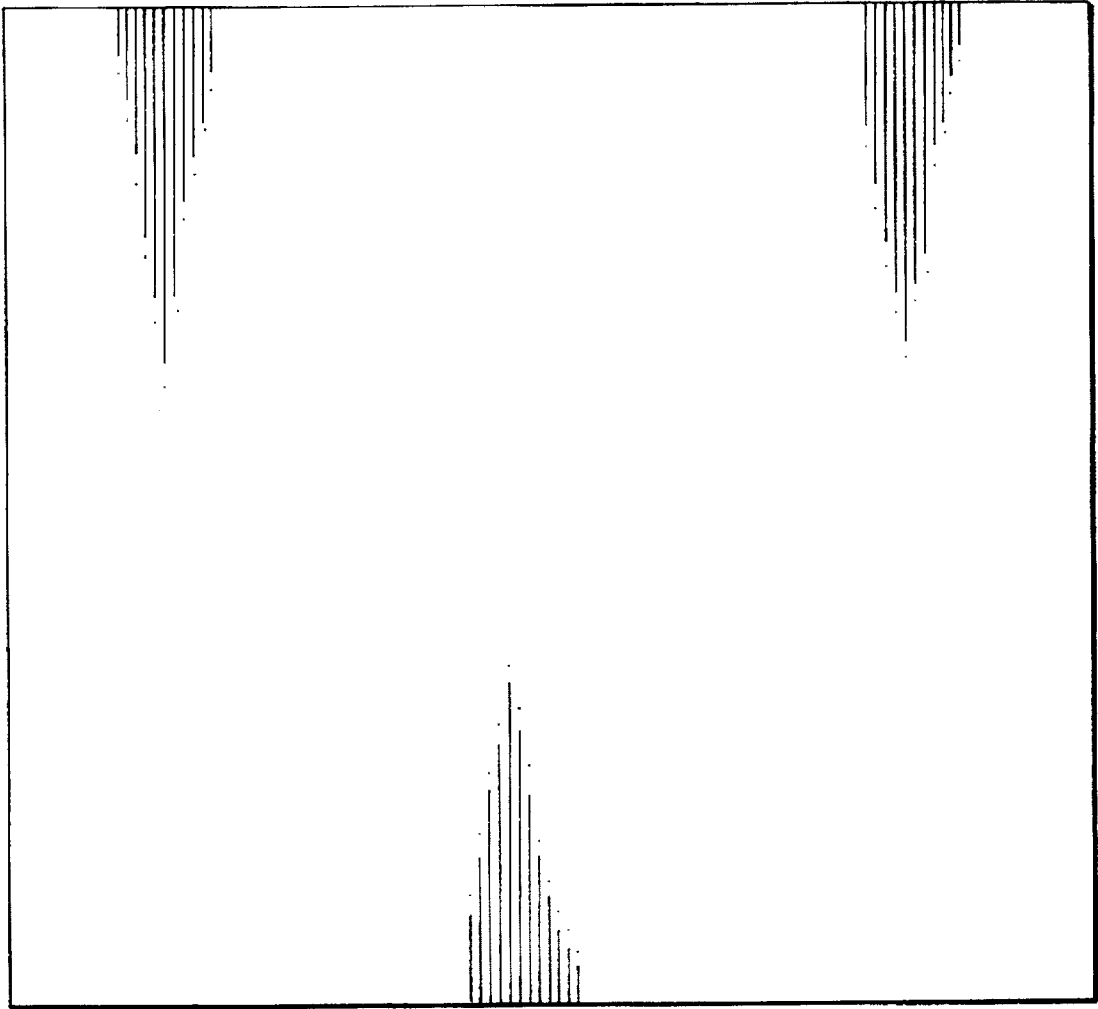


FIG. 6

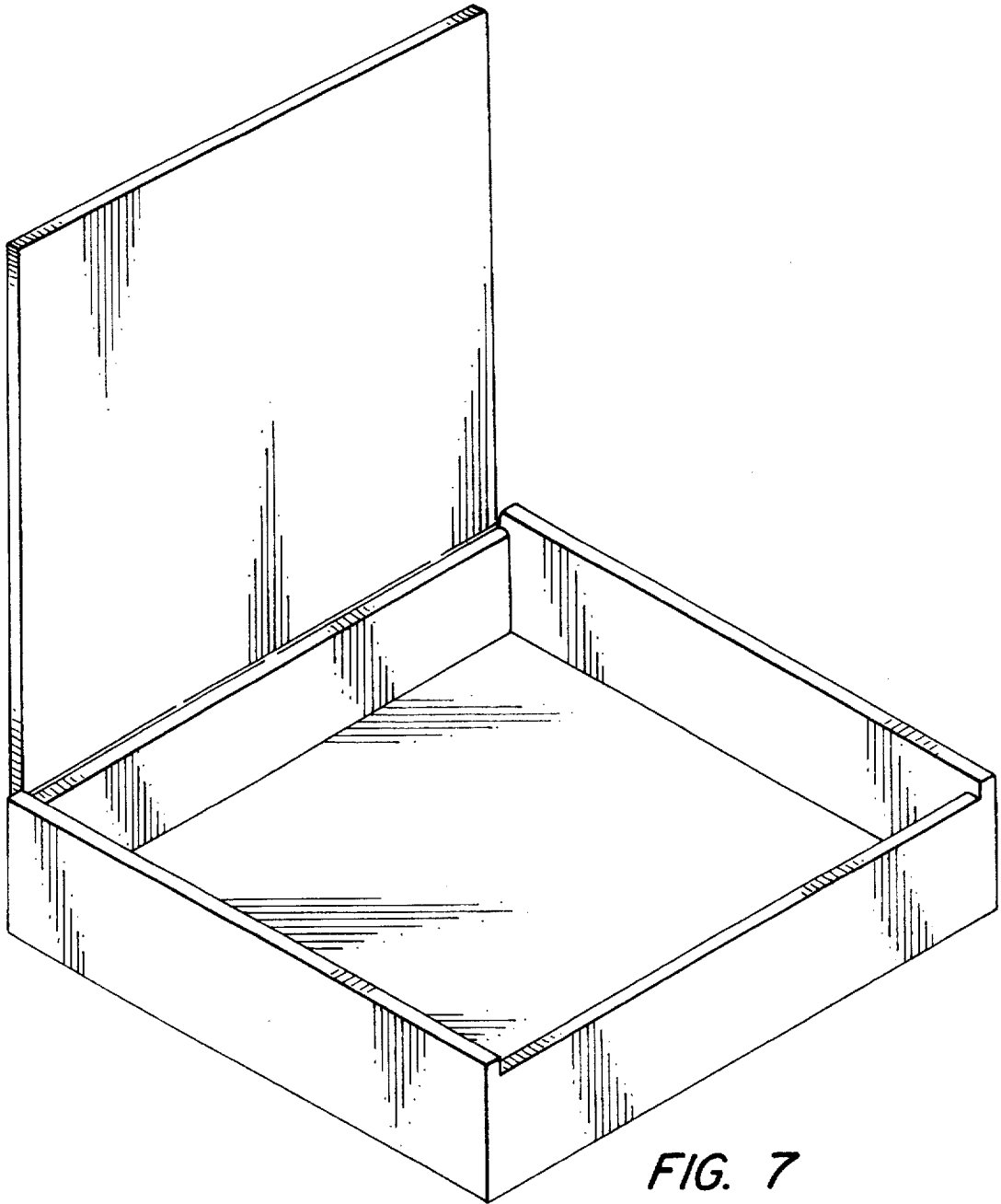


FIG. 7

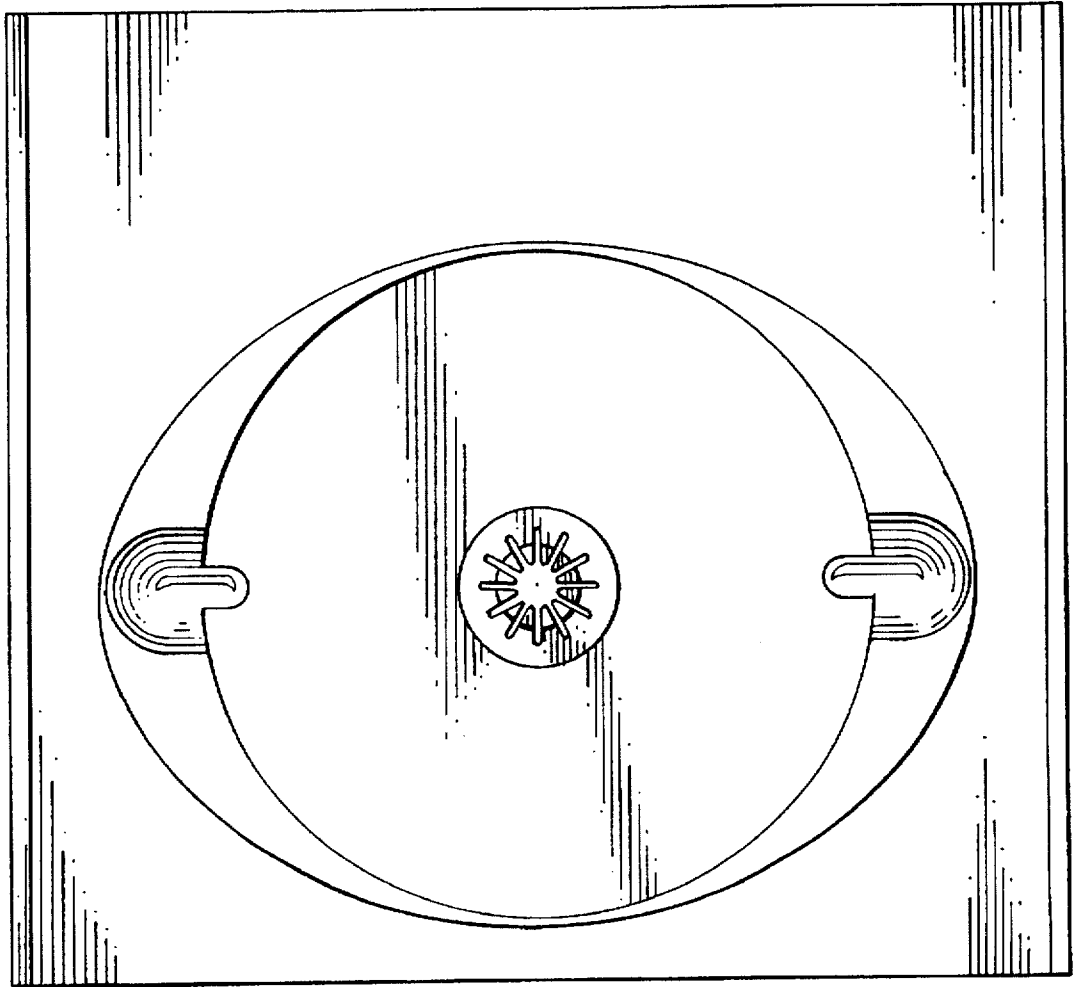


FIG. 8

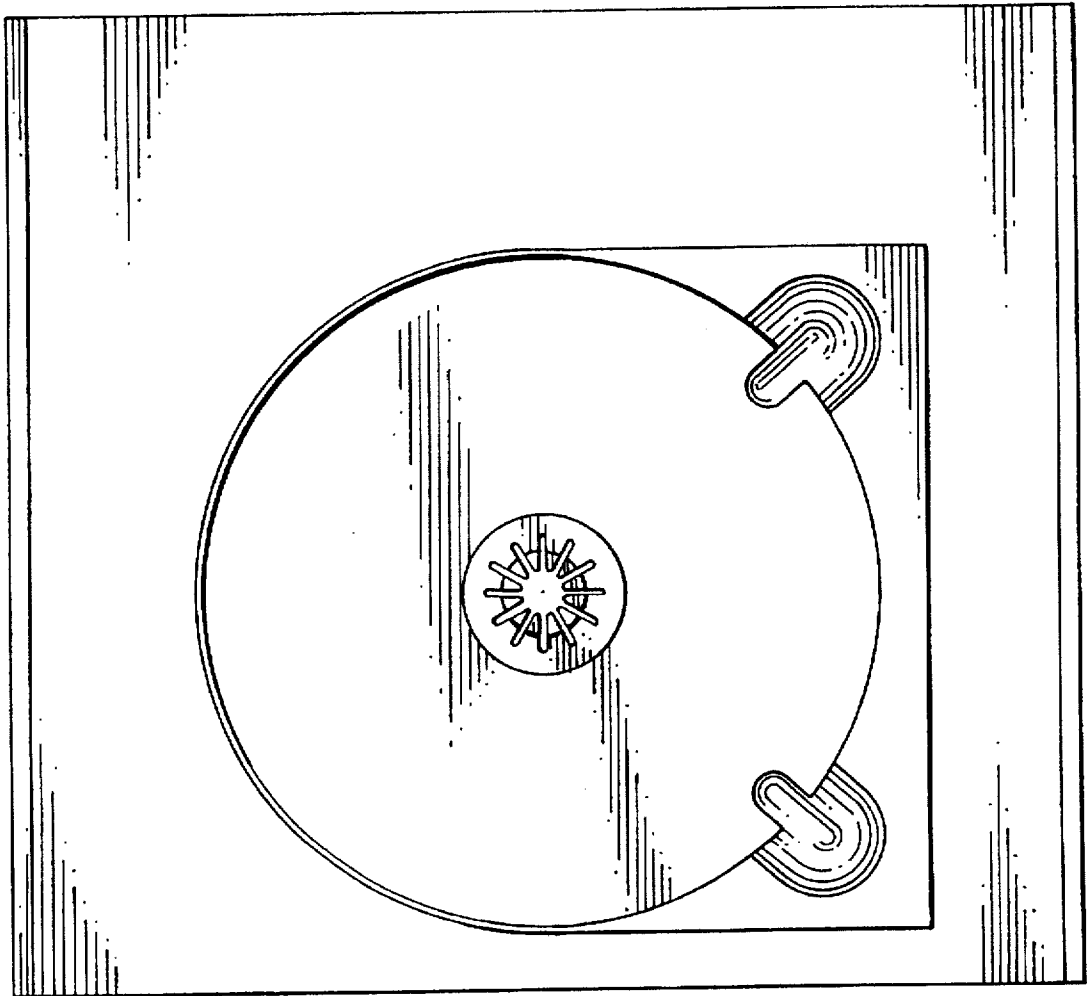


FIG. 9

UNITED STATES PATENT AND TRADEMARK OFFICE
CERTIFICATE OF CORRECTION

PATENT NO. : D384,580
DATED : October 7, 1997
INVENTOR(S) : Leonard M. Fernandes et al.

It is certified that error appears in the above-identified patent and that said Letters Patent is hereby corrected as shown below:

Inventor "Pen Cheong Loo" should be --Peng Cheong Loo--.

Signed and Sealed this
Sixteenth Day of December, 1997

Attest:



BRUCE LEHMAN

Attesting Officer

Commissioner of Patents and Trademarks