



US00D797166S

(12) **United States Design Patent** (10) **Patent No.:** **US D797,166 S**
Seiders et al. (45) **Date of Patent:** **** Sep. 12, 2017**

(54) **ICE PACK**
(71) Applicant: **YETI Coolers, LLC**, Austin, TX (US)
(72) Inventors: **Roy Joseph Seiders**, Austin, TX (US);
John Alan Tolman, Austin, TX (US);
Kyle Thomas Miller, Austin, TX (US);
Steve Charles Nichols, Austin, TX (US)

D285,413 S * 9/1986 Carlson D7/703
D289,974 S 5/1987 Hamilton et al.
D312,303 S * 11/1990 Gustavsson D23/359
D322,383 S * 12/1991 Jones D15/90
D336,595 S * 6/1993 Jones D15/90
D340,642 S 10/1993 Detzel et al.
D351,532 S * 10/1994 Wolfenden D15/90
D357,179 S 4/1995 Nedstedt
(Continued)

(73) Assignee: **YETI Coolers, LLC**, Austin, TX (US)
(**) Term: **15 Years**

OTHER PUBLICATIONS
<http://yeti.com/yeti-ice>—Retrieved Oct. 31, 2016.*
(Continued)

(21) Appl. No.: **29/552,581**
(22) Filed: **Jan. 22, 2016**
(51) **LOC (10) Cl.** **15-07**
(52) **U.S. Cl.**
USPC **D15/90**

Primary Examiner — Manpreet Matharu
Assistant Examiner — Mojtaba Tehrani
(74) *Attorney, Agent, or Firm* — Banner & Witcoff, Ltd.

(58) **Field of Classification Search**
USPC D15/79, 80, 82, 89, 90; D9/432, 766,
D9/770; D7/550.1, 552.2, 553.1, 553.2,
D7/553.3, 555, 566, 587, 603; D3/304,
D3/307, 313
CPC F25B 21/02; F25B 2321/02; F25B 1/005;
F25B 2321/0252; F25B 1/00; F25B 1/10;
F25B 21/04; F25B 2339/047; F25B 5/02;
F25B 7/00; F25B 13/00; F25B 1/043;
F25B 2309/06; F25B 2321/021; F25B
2321/023; F25D 23/028; F25D 23/02;
F25D 25/025; F25D 23/00; F25D
2323/021; F25D 11/00; F25D 2323/024;
F25D 23/04; F25D 29/00; F25D 25/02;
F25D 25/024; F25D 27/005; F25D 23/12;
F25D 29/005; F25D 17/042; F25D
2325/021

(57) **CLAIM**
The ornamental design for an ice pack, as shown and described.

See application file for complete search history.

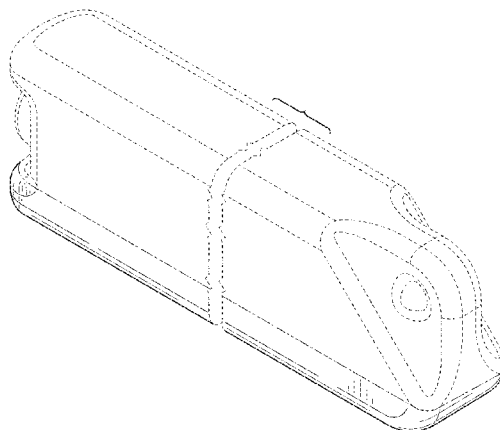
DESCRIPTION

FIG. 1 is a top, front, right perspective view of an ice pack showing our new design;
FIG. 2 is a front view thereof;
FIG. 3 is a rear view thereof;
FIG. 4 is a right side view thereof;
FIG. 5 is a left side view thereof;
FIG. 6 is a top view thereof; and,
FIG. 7 is a bottom view thereof.
The uneven-length broken lines immediately adjacent to the shaded area represent unclaimed boundaries of the design. The even-length broken lines showing the remainder of the ice pack are for environmental purposes only and form no part of the claimed design. The bracketed portions shown in FIGS. 1-3 and FIGS. 6-7 showing a break in the surface represent indeterminate length and form no part of the claimed design.

(56) **References Cited**
U.S. PATENT DOCUMENTS

3,233,817 A 2/1966 Casady
D267,544 S 1/1983 Neto et al.

1 Claim, 3 Drawing Sheets



(56)

References Cited

U.S. PATENT DOCUMENTS

D376,876	S	12/1996	McInnes	
D377,179	S	1/1997	Sundheim et al.	
5,640,852	A	6/1997	Atlas	
D389,639	S *	1/1998	Priebe	D3/203.8
D466,412	S	12/2002	Baskinger et al.	
D473,572	S *	4/2003	Linberg	D15/90
D474,209	S	5/2003	Seymour et al.	
D482,373	S	11/2003	Seymour et al.	
D595,128	S *	6/2009	Bouveret	D7/545
D643,298	S	8/2011	Gillespie	
D686,491	S *	7/2013	Kuo	D9/432
D687,679	S *	8/2013	Mikulka	D7/553.2
D691,182	S	10/2013	Chiorazzi et al.	
D711,945	S *	8/2014	Garg	D15/90
D741,919	S *	10/2015	Seiders	D15/90
D741,920	S *	10/2015	Seiders	D15/90
D747,102	S *	1/2016	Kraemer	D3/307
D750,498	S	3/2016	Sezanayev	
D754,545	S	4/2016	Sezanayev	
D762,747	S *	8/2016	Glass	D15/90
D764,285	S *	8/2016	Akana	D9/432
2009/0048650	A1	2/2009	Junkins	

OTHER PUBLICATIONS

<https://www.amazon.com/Yeti-ICE-11b-Substitute-pack/dp/B01C7Y5DVC/>—Available as early as Apr. 15, 2016.*

<https://www.amazon.com/Ice-Packs-Pcs-Reusable-Colorful/dp/B00GWDYD48/>—Available as early as Nov. 25, 2013.*

* cited by examiner

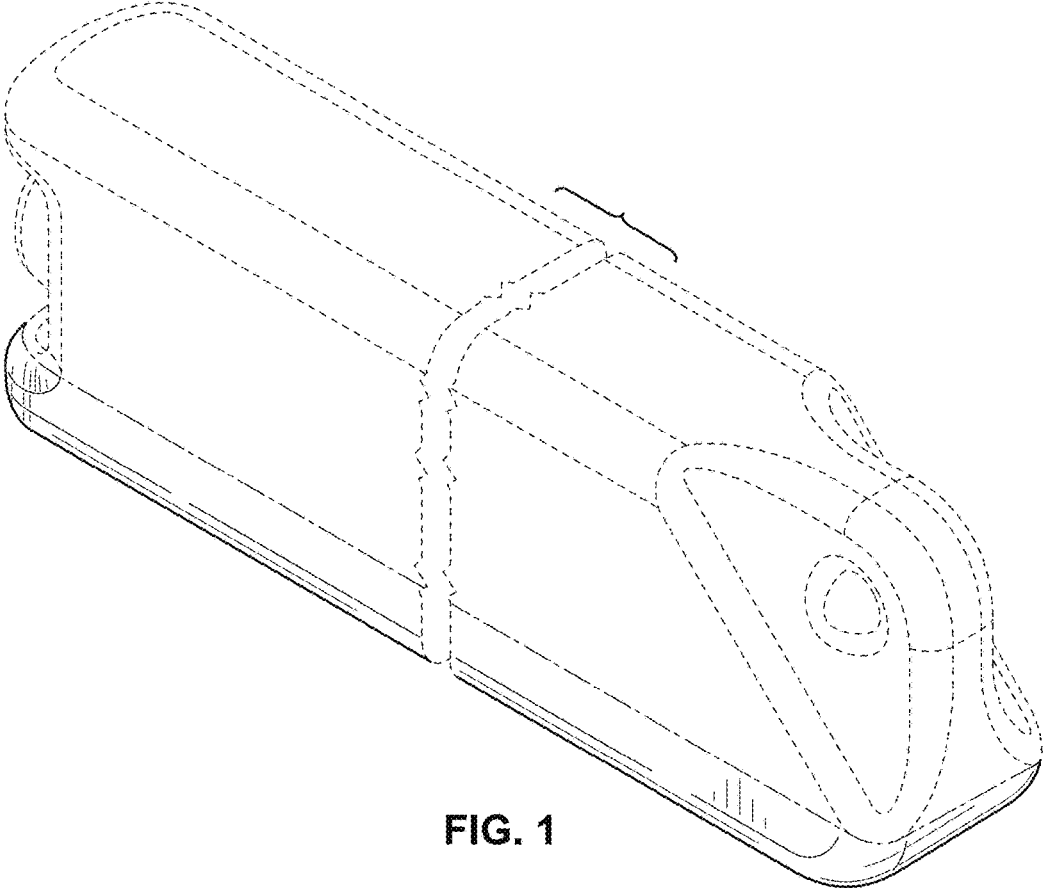


FIG. 1

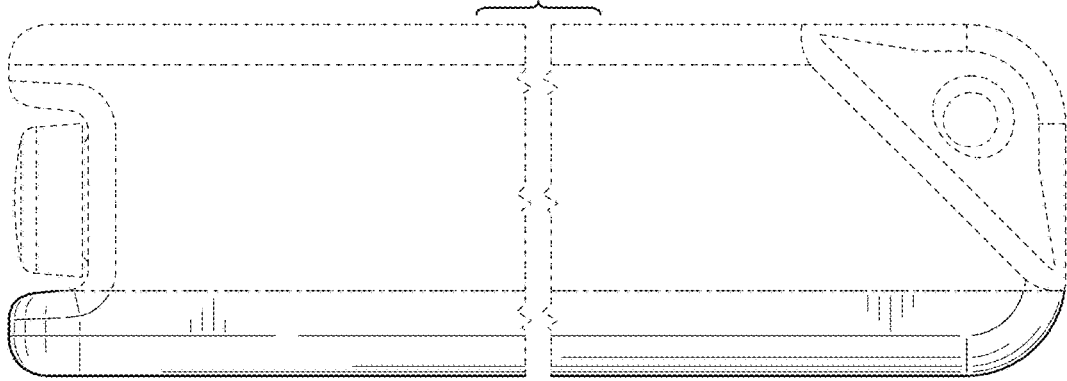


FIG. 2

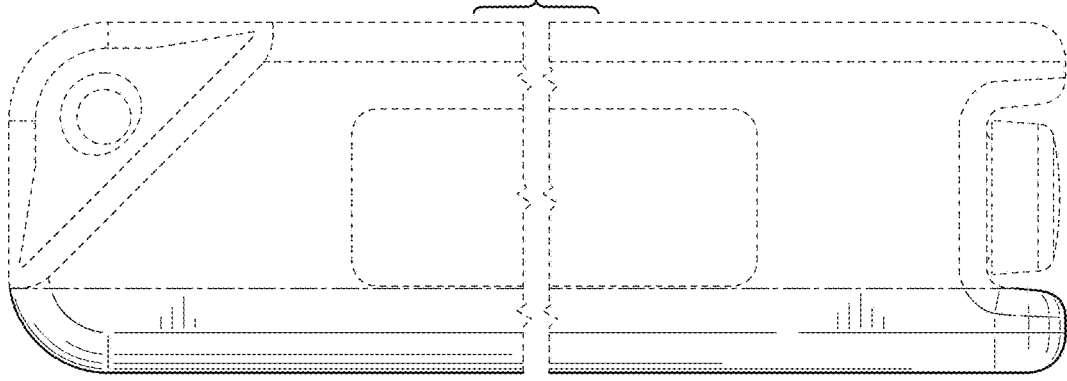


FIG. 3

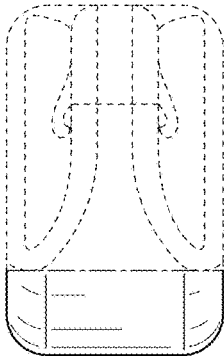


FIG. 4

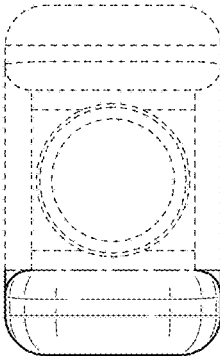


FIG. 5

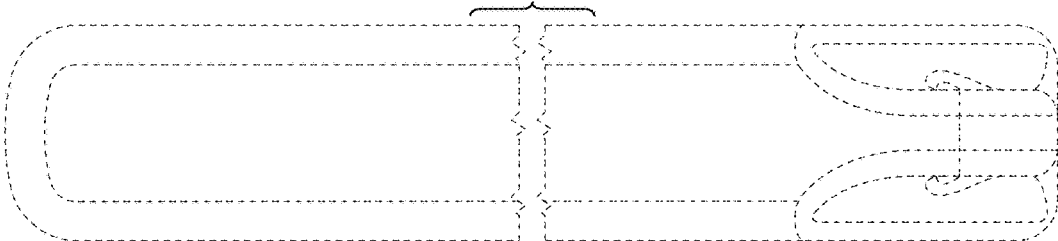


FIG. 6

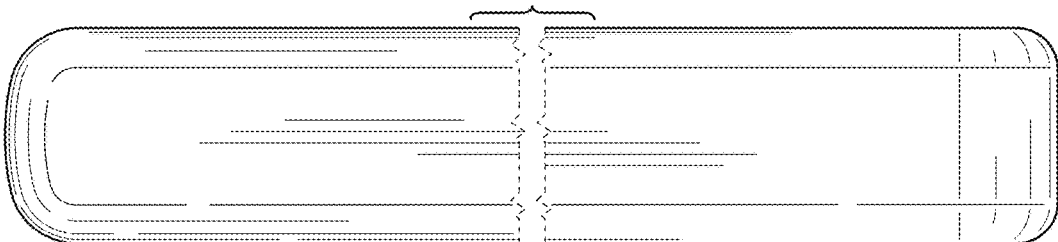


FIG. 7