



US00D520646S

(12) **United States Design Patent**
Wyse

(10) **Patent No.:** **US D520,646 S**

(45) **Date of Patent:** **** May 9, 2006**

(54) **SCAFFOLD BRACE**

(76) Inventor: **Steven J. Wyse**, 82 Pin Oak, Archbold,
OH (US) 42502

(**) Term: **14 Years**

(21) Appl. No.: **29/227,607**

(22) Filed: **Apr. 13, 2005**

Related U.S. Application Data

(60) Continuation of application No. 10/709,228, filed on Apr. 22, 2004, now abandoned, which is a continuation of application No. 10/065,251, filed on Sep. 27, 2002, now Pat. No. 6,761,247, which is a division of application No. 09/766,334, filed on Jan. 19, 2001, now Pat. No. 6,471,003.

(51) **LOC (8) Cl.** **25-04**

(52) **U.S. Cl.** **D25/68**

(58) **Field of Classification Search** D25/68,
D25/62; 403/49, 205, 403; 182/62, 112, 107;
248/236, 238

See application file for complete search history.

(56) **References Cited**

U.S. PATENT DOCUMENTS

2,612,414	A	*	9/1952	Kirkpatrick	403/49
4,542,874	A	*	9/1985	Ronning	248/238
D318,127	S	*	7/1991	Ebeler	D25/68
5,259,477	A	*	11/1993	Fears et al.	182/82

* cited by examiner

Primary Examiner—Doris Clark

(74) *Attorney, Agent, or Firm*—Hovey Williams LLP

(57) **CLAIM**

The ornamental design for a scaffold brace, as shown and described.

DESCRIPTION

FIG. 1 is a perspective view of a scaffold brace embodying my design, particularly illustrating the brace with the various other components of a mobile scaffolding, with the various other components of the scaffolding being shown in broken lines for illustrative purposes only and forming no part of the claimed design;

FIG. 2 is a perspective view of the scaffold brace from an opposite direction than that depicted in FIG. 1;

FIG. 3 is a side elevation view of the scaffold brace depicted in FIGS. 1 and 2, with the opposite side elevation being a mirror image thereof;

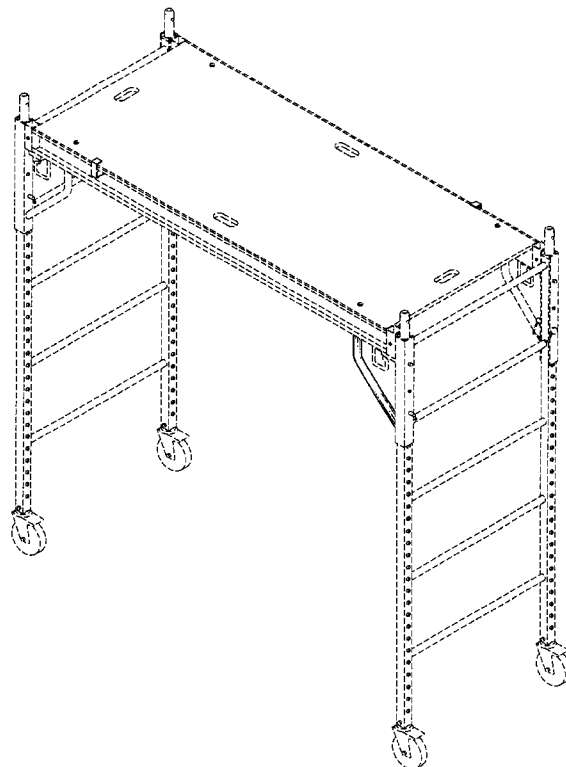
FIG. 4 is an end elevation view of the scaffold brace depicted in FIGS. 1–3;

FIG. 5 is an end elevation view of the scaffold brace opposite that shown in FIG. 4;

FIG. 6 is a plan view of the scaffold brace depicted in FIGS. 1–5; and,

FIG. 7 is a bottom view of the scaffold brace depicted in FIGS. 1–6.

1 Claim, 3 Drawing Sheets



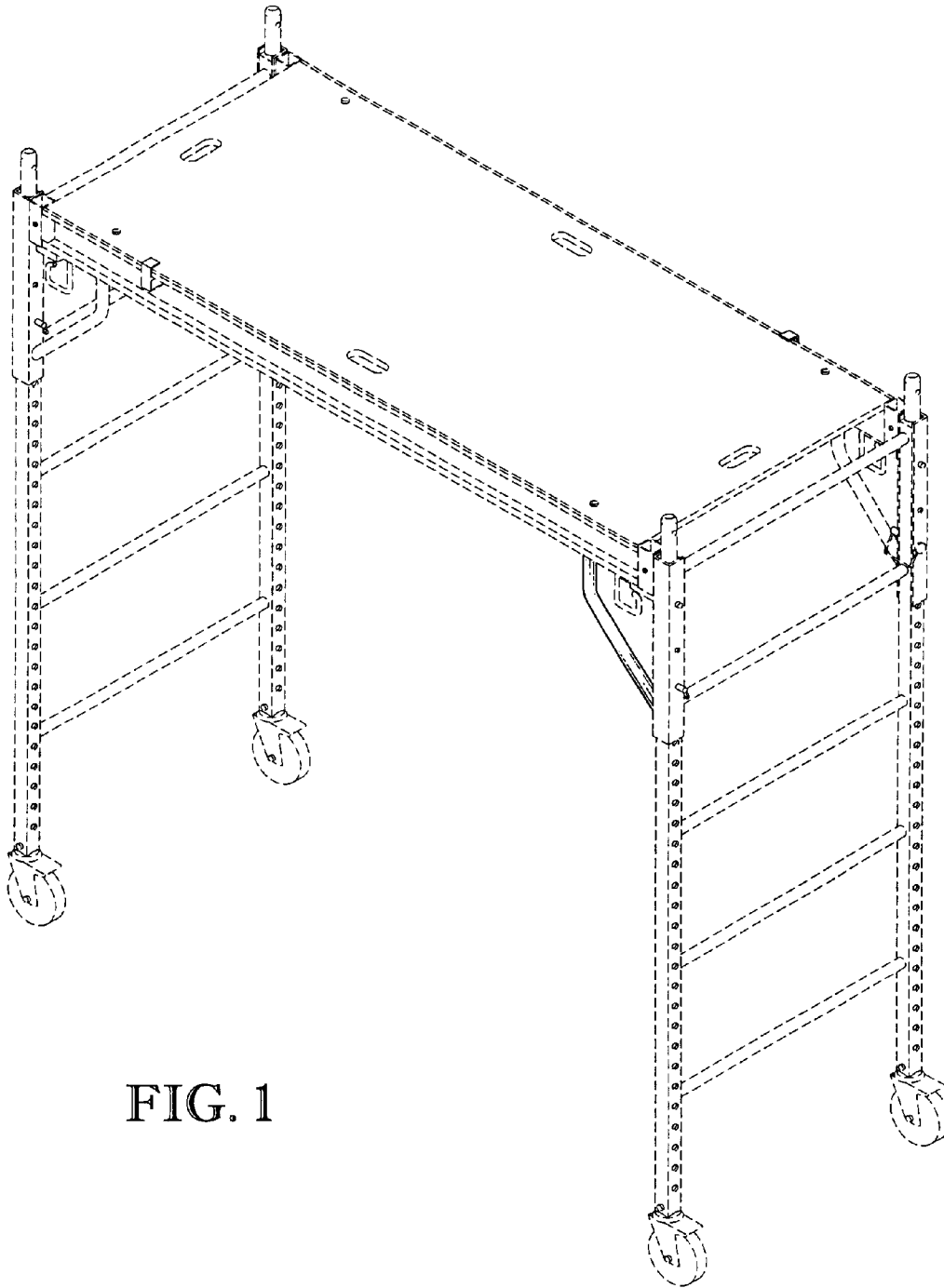


FIG. 1

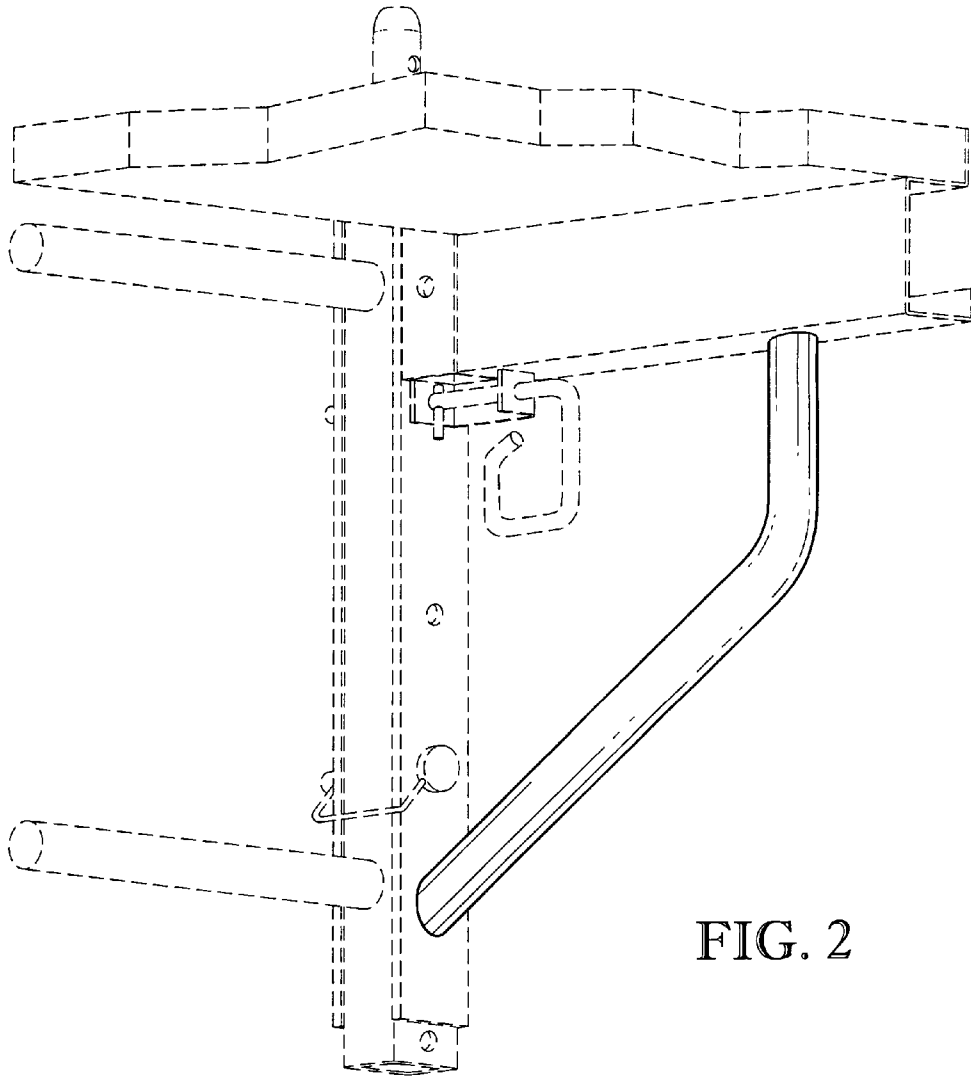


FIG. 2

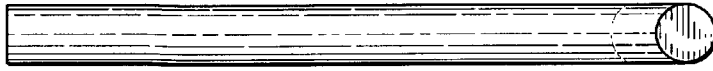


FIG. 6



FIG. 7

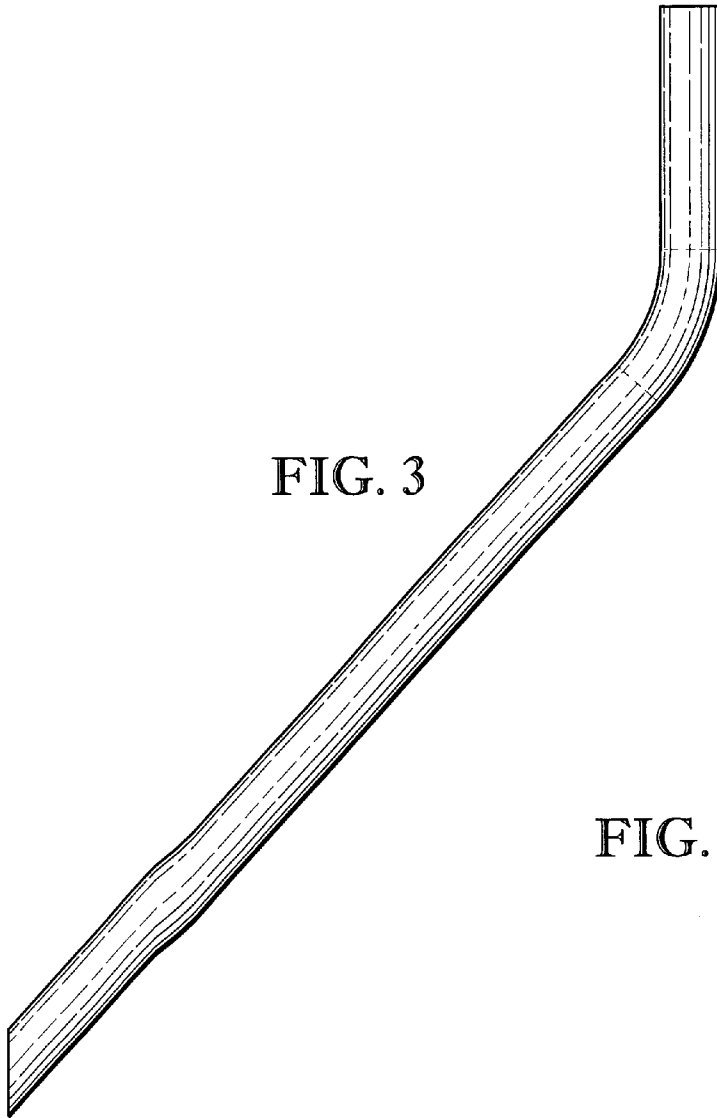


FIG. 3

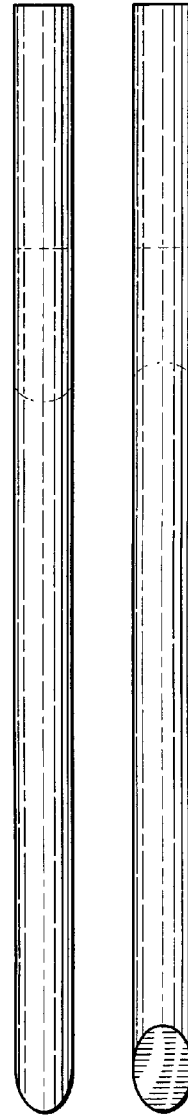


FIG. 4

FIG. 5