

200,375

PORTABLE RADIOGRAPHIC EXPOSURE UNIT

Lawrence P. Feer, Cazenovia, N.Y., assignor to General Motors Corporation, Detroit, Mich., a corporation of Delaware

Filed Sept. 26, 1963, Ser. No. 76,745

Term of patent 14 years

(Cl. D83—1)

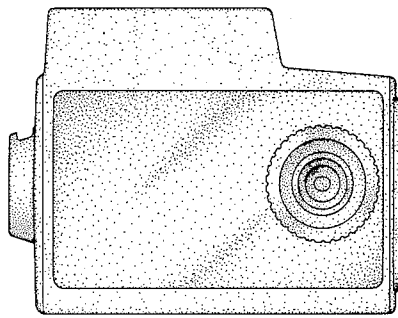


Fig. 1

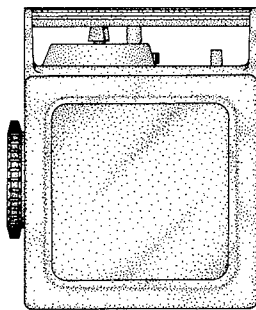


Fig. 2

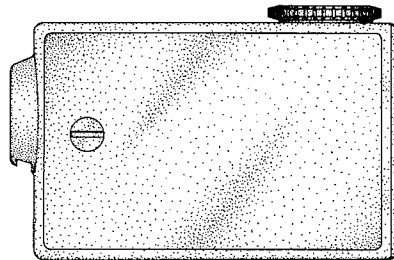


Fig. 3

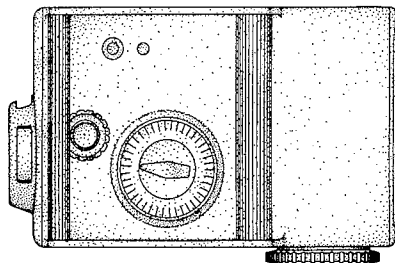


Fig. 4

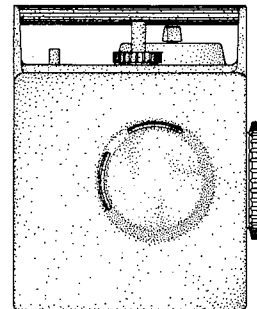


Fig. 5

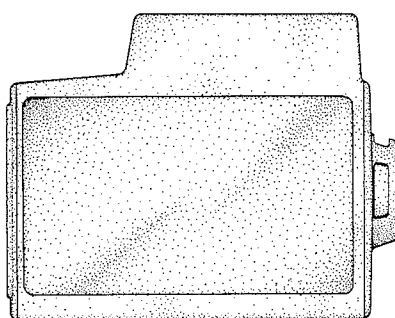


Fig. 6

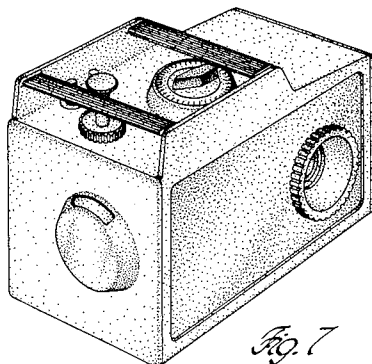


Fig. 7

FIGURE 1 is a front elevational view of a portable radiographic exposure unit, showing my new design;
 FIGURE 2 is an elevational view of one side;
 FIGURE 3 is a bottom plan view;
 FIGURE 4 is a top plan view;
 FIGURE 5 is an elevational view of the other side;
 FIGURE 6 is a rear elevational view;
 FIGURE 7 is a perspective view.

I claim:

The ornamental design for a portable radiographic exposure unit, substantially as shown.

References Cited by the Examiner

UNITED STATES PATENTS

D. 195,011	4/63	Doblin	-----	D61—1
D. 197,688	3/64	Bastin	-----	D83—1
2,670,443	2/54	Pennock et al.		
2,920,209	1/60	Asten.		

ADELIN B. HANNAH, *Primary Examiner.*

WALLACE R. BURKE, *Examiner.*