



(12) **United States Design Patent**  
**Kuka**

(10) **Patent No.:** **US D750,472 S**  
(45) **Date of Patent:** **\*\* Mar. 1, 2016**

- (54) **EQUIPMENT ANCHORING HOOK**
- (71) Applicant: **Jared Kuka**, Chattanooga, TN (US)
- (72) Inventor: **Jared Kuka**, Chattanooga, TN (US)
- (\*\*) Term: **14 Years**
- (21) Appl. No.: **29/501,411**
- (22) Filed: **Sep. 4, 2014**
- (51) **LOC (10) Cl.** ..... **08-05**
- (52) **U.S. Cl.**  
USPC ..... **D8/367**
- (58) **Field of Classification Search**  
USPC ..... D8/367, 354, 349; 248/301, 302, 303,  
248/304, 339; 24/132 R  
CPC ..... A47G 25/00; A47G 1/00  
See application file for complete search history.

D653,924 S *	2/2012	Heitz, Jr. ....	D8/370
D679,095 S *	4/2013	Williams .....	D3/328
D682,222 S *	5/2013	Crucitti .....	D13/155
D700,830 S *	3/2014	Brockman .....	D8/367
8,746,640 B2 *	6/2014	Broadley .....	F16M 13/02 248/220.21
D708,446 S *	7/2014	Goodman .....	D6/323
D723,242 S *	3/2015	Walker .....	D1/125
D725,343 S *	3/2015	Rogers .....	D1/125
2006/0202102 A1 *	9/2006	Nieciecki .....	A47G 33/10 248/692
2007/0252061 A1 *	11/2007	Feetham .....	G10G 5/00 248/302
2009/0294491 A1 *	12/2009	Carver .....	A47G 25/08 223/85

\* cited by examiner

*Primary Examiner* — Cynthia Underwood  
(74) *Attorney, Agent, or Firm* — Ryan D. Levy; Patterson Intellectual Property Law, P.C.

(56) **References Cited**

U.S. PATENT DOCUMENTS

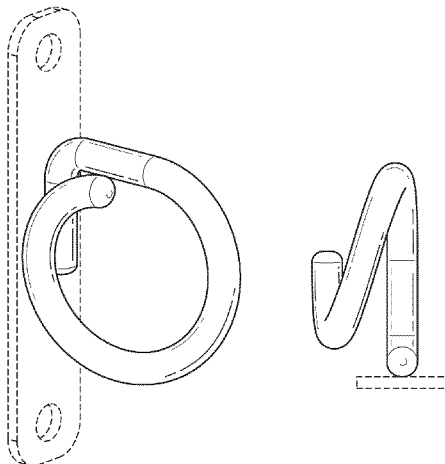
214,874 A *	4/1879	Beugnies .....	A44C 5/0092 24/7
427,642 A *	5/1890	Wack .....	D06F 53/04 24/698.1
2,814,861 A *	12/1957	O'Connell .....	H02G 7/06 248/339
D263,021 S *	2/1982	Siegfried .....	D11/5
D271,385 S *	11/1983	Novak .....	D11/131
D286,261 S *	10/1986	Smederod .....	160/349.2
D357,624 S *	4/1995	Ferdman .....	D8/368
D380,665 S *	7/1997	Berg .....	D8/367
6,270,048 B1 *	8/2001	Carlson .....	B60P 1/00 224/560
D464,559 S *	10/2002	Bjorklund .....	D8/356
D468,192 S *	1/2003	Lee .....	D8/367
D468,699 S *	1/2003	Bugg .....	D13/155
D474,105 S *	5/2003	Lee .....	D8/367
6,736,356 B1 *	5/2004	Murphy .....	A46B 17/02 248/112
D499,008 S *	11/2004	Chang .....	D8/370
D565,934 S *	4/2008	Volkwein .....	D8/356
7,410,139 B1 *	8/2008	Rohrich .....	F16B 2/065 248/302
D608,623 S *	1/2010	Snell .....	D8/367

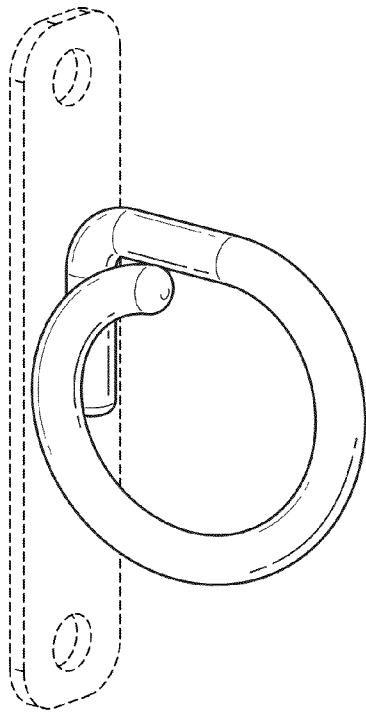
(57) **CLAIM**  
What is claimed is the ornamental design for an equipment anchoring hook, as shown and described.

**DESCRIPTION**

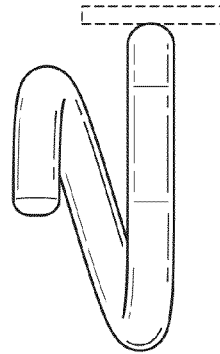
FIG. 1 is a front perspective view of the equipment anchoring hook of the Applicant's invention.  
 FIG. 2 is a front view of the equipment anchoring hook of the Applicant's invention.  
 FIG. 3 is a rear view of the equipment anchoring hook of the Applicant's invention.  
 FIG. 4 is a top view of the equipment anchoring hook of the Applicant's invention.  
 FIG. 5 is a bottom view of the equipment anchoring hook of the Applicant's invention.  
 FIG. 6 is a left side view of the equipment anchoring hook of the Applicant's invention; and,  
 FIG. 7 is a right side view of the equipment anchoring hook of the Applicant's invention.  
 The broken lines in the drawings depict environmental subject matter/or parts of the equipment anchoring hook and form no part of the claimed design.

**1 Claim, 2 Drawing Sheets**

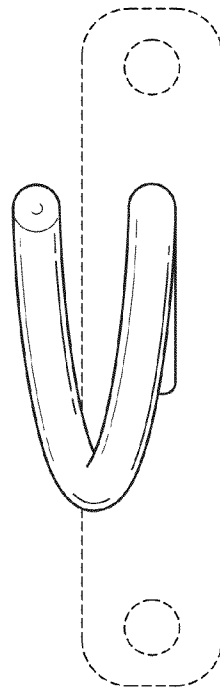




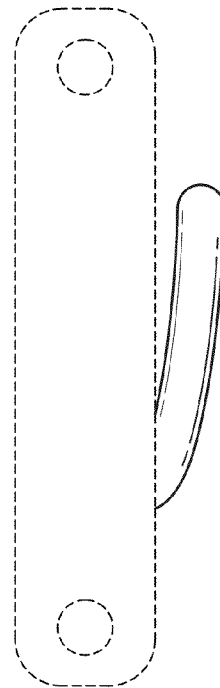
*FIG. 1*



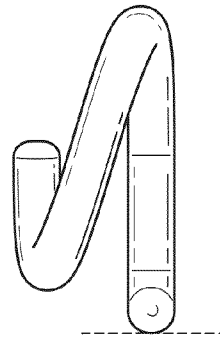
*FIG. 4*



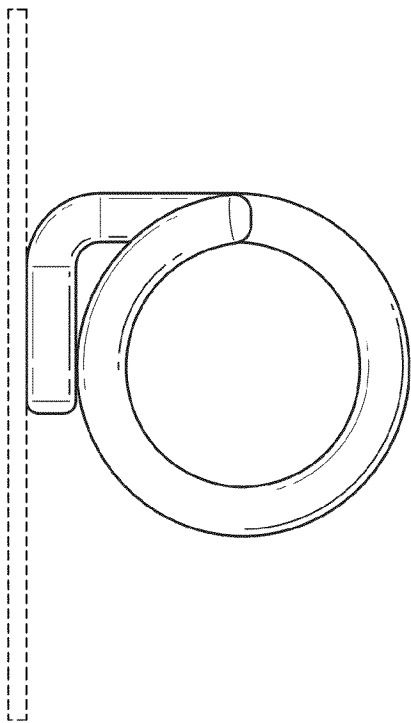
*FIG. 2*



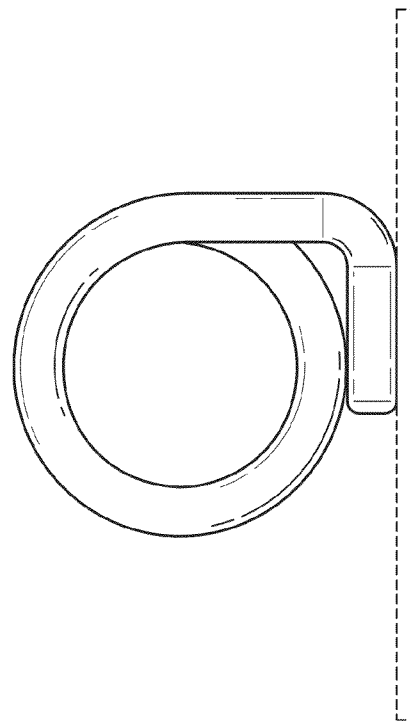
*FIG. 3*



*FIG. 5*



*FIG. 6*



*FIG. 7*